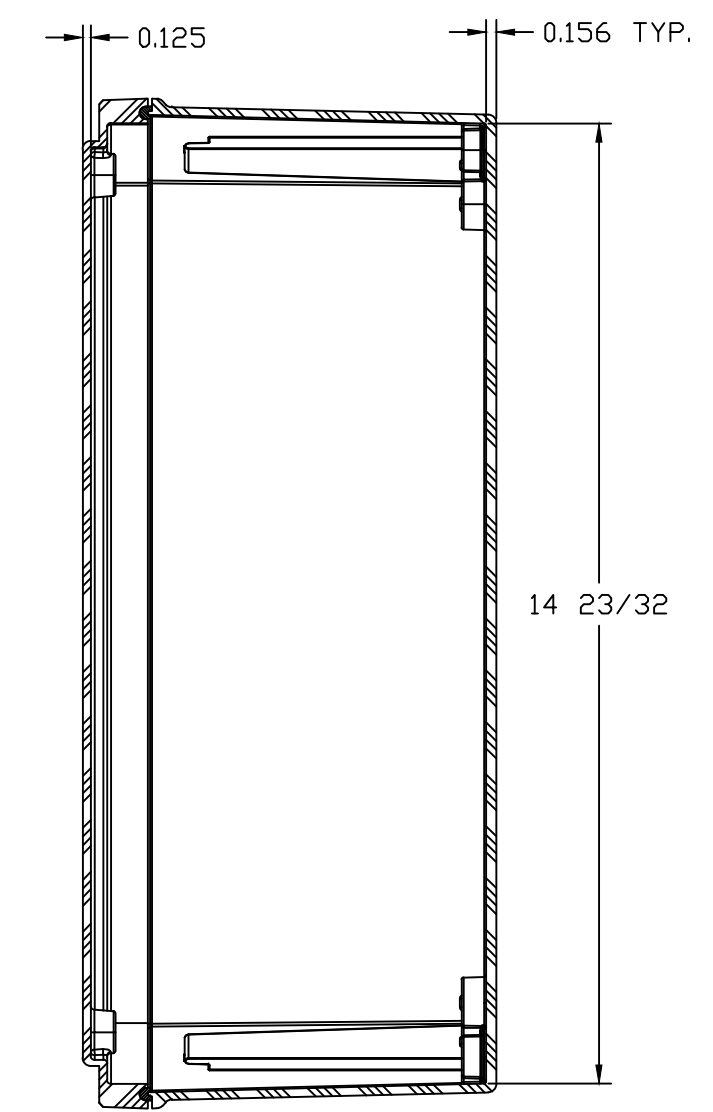
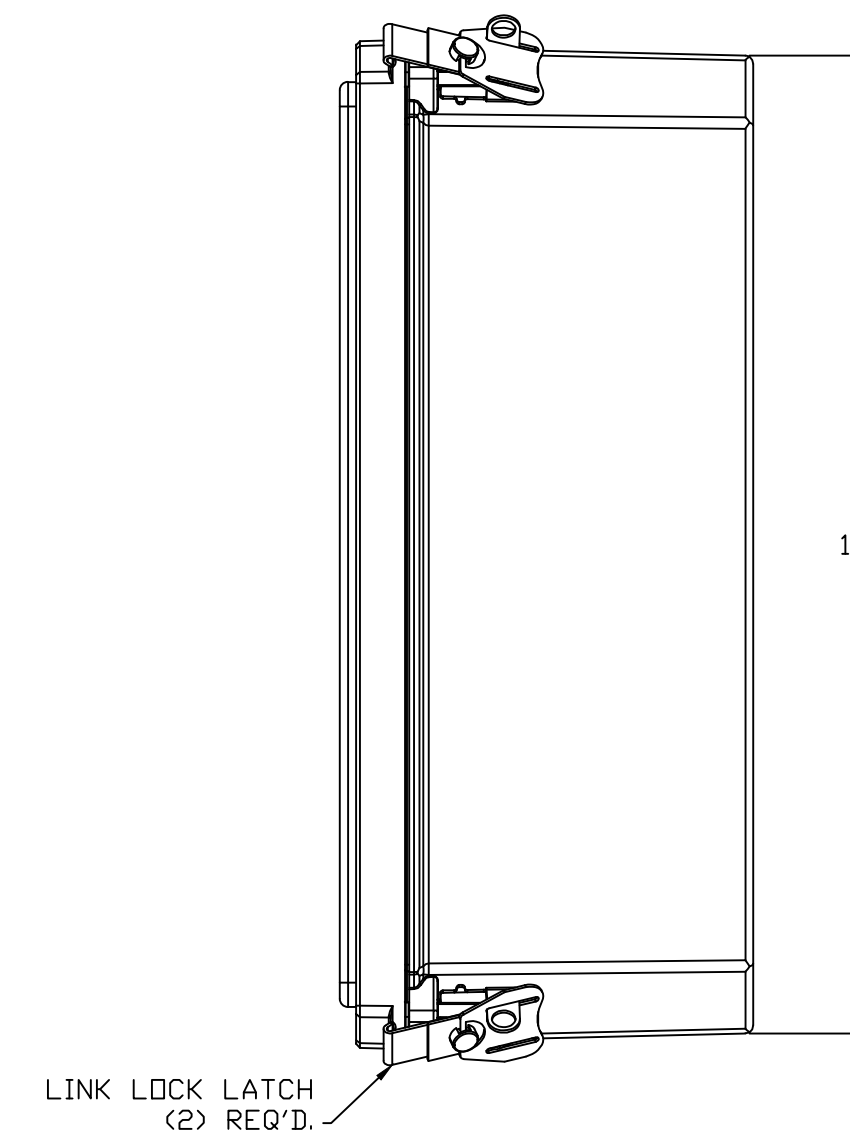
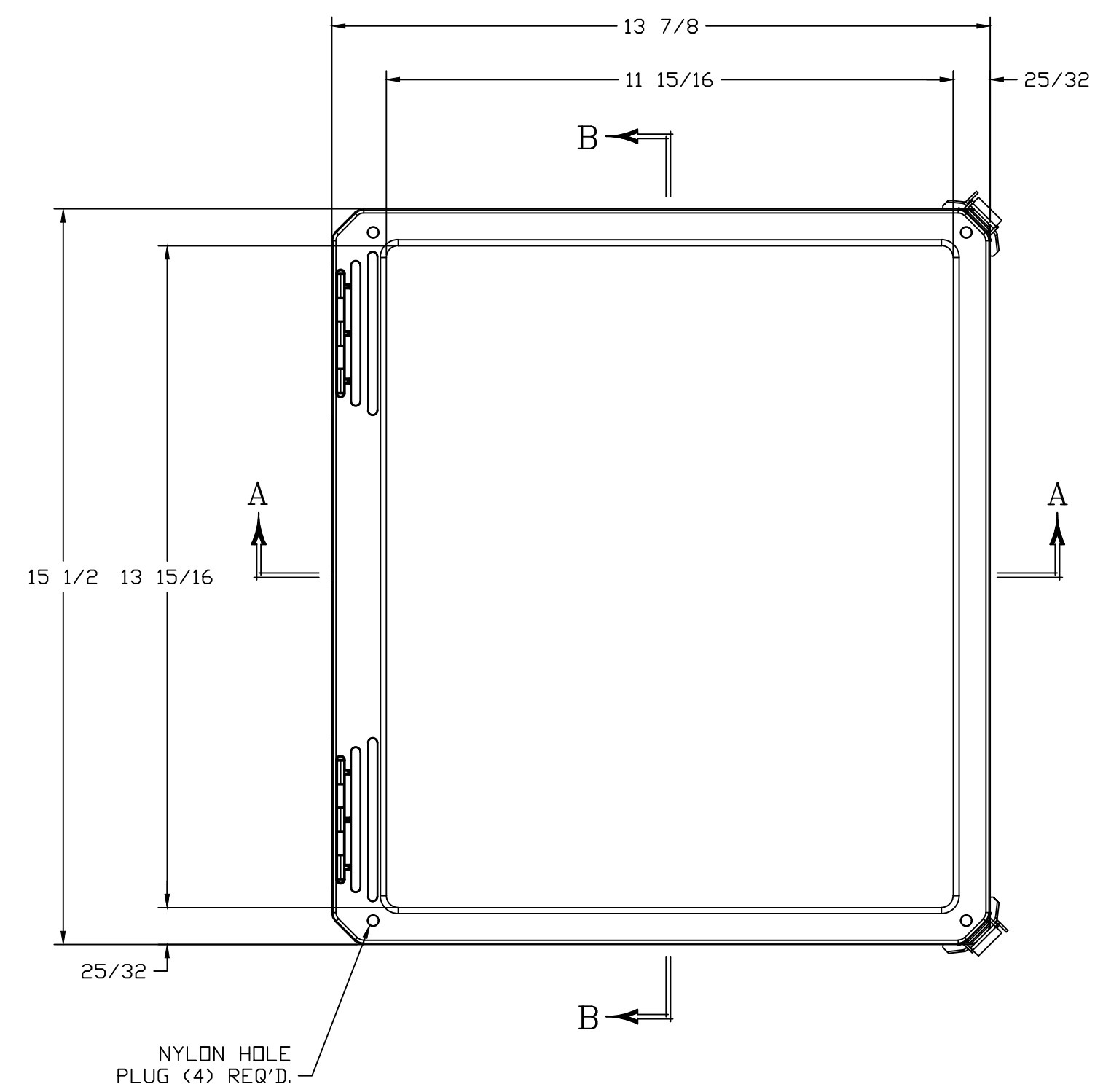
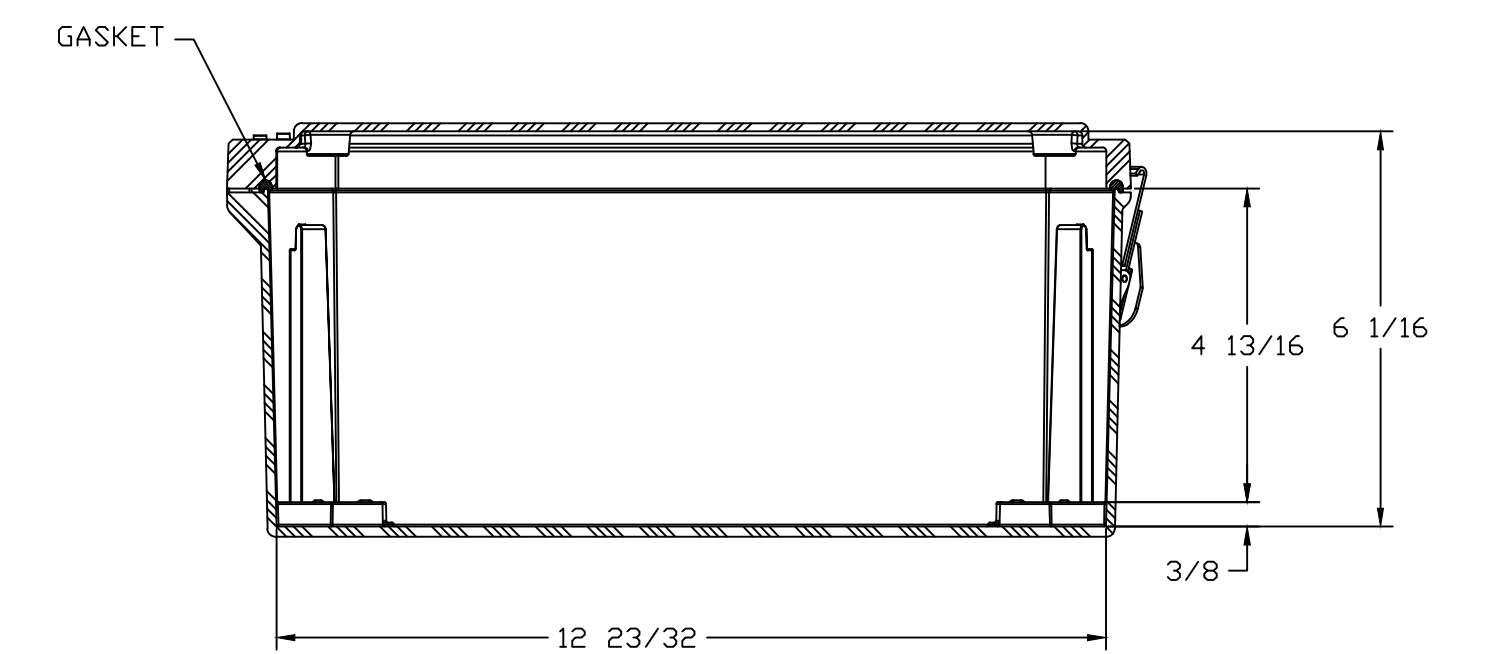
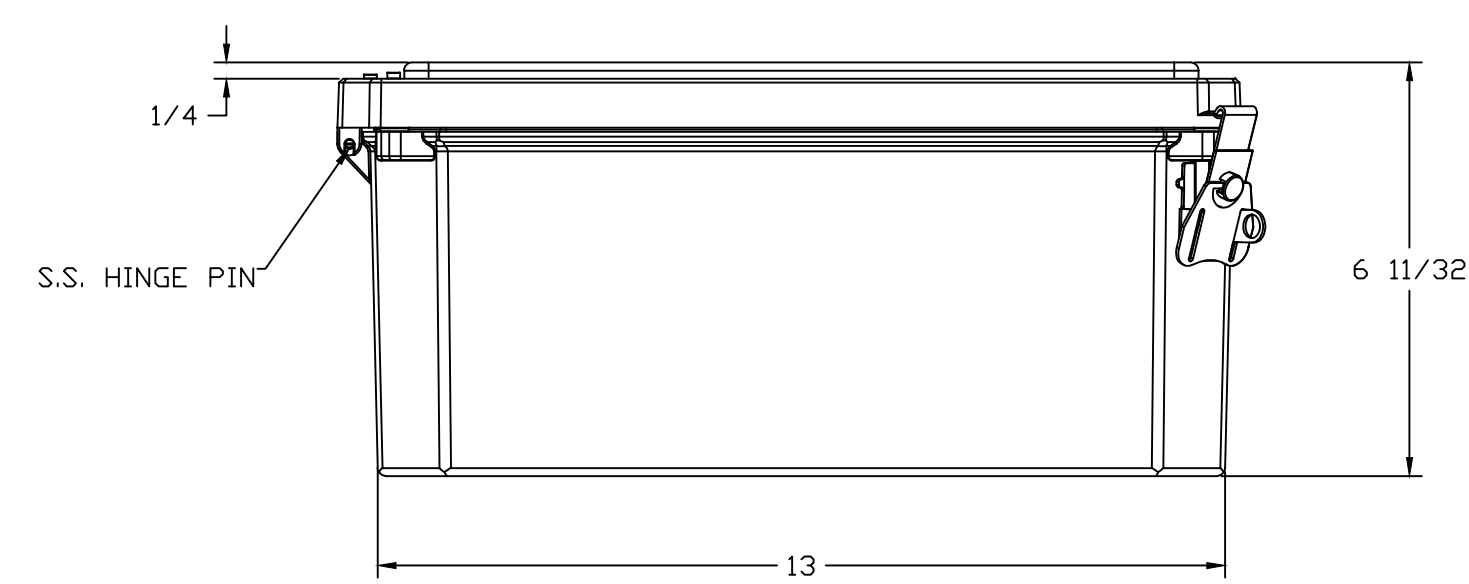


WITH COVER REMOVED




SECTION B-B



SECTION A-A

NOTES:

MATERIAL		F.R. POLYESTER FIBERGLASS		NEMA 1, 3, 3S, 4X, 12, 13 IP66		COLOR: GLACIER GRAY RR1013	TOLERANCES UNLESS SPECIFIED	DECIMAL ± .010	FRACTIONAL ± 1/32
DR. BY	DATE	CHK. BY	DATE	APD. BY	DATE	 STAHLIN ENCLOSURES DIVISION OF ROBROY INDUSTRIES			
LET.	REVISION RECORD	DATE	BY	CHD.	DATE	CUSTOMER	BELDING, MICHIGAN 48809 AutoCAD DWG. FILE DS141206HLL		
SCALE		PART NAME		ENCLOSURE		PART NO.		DS141206HLL	