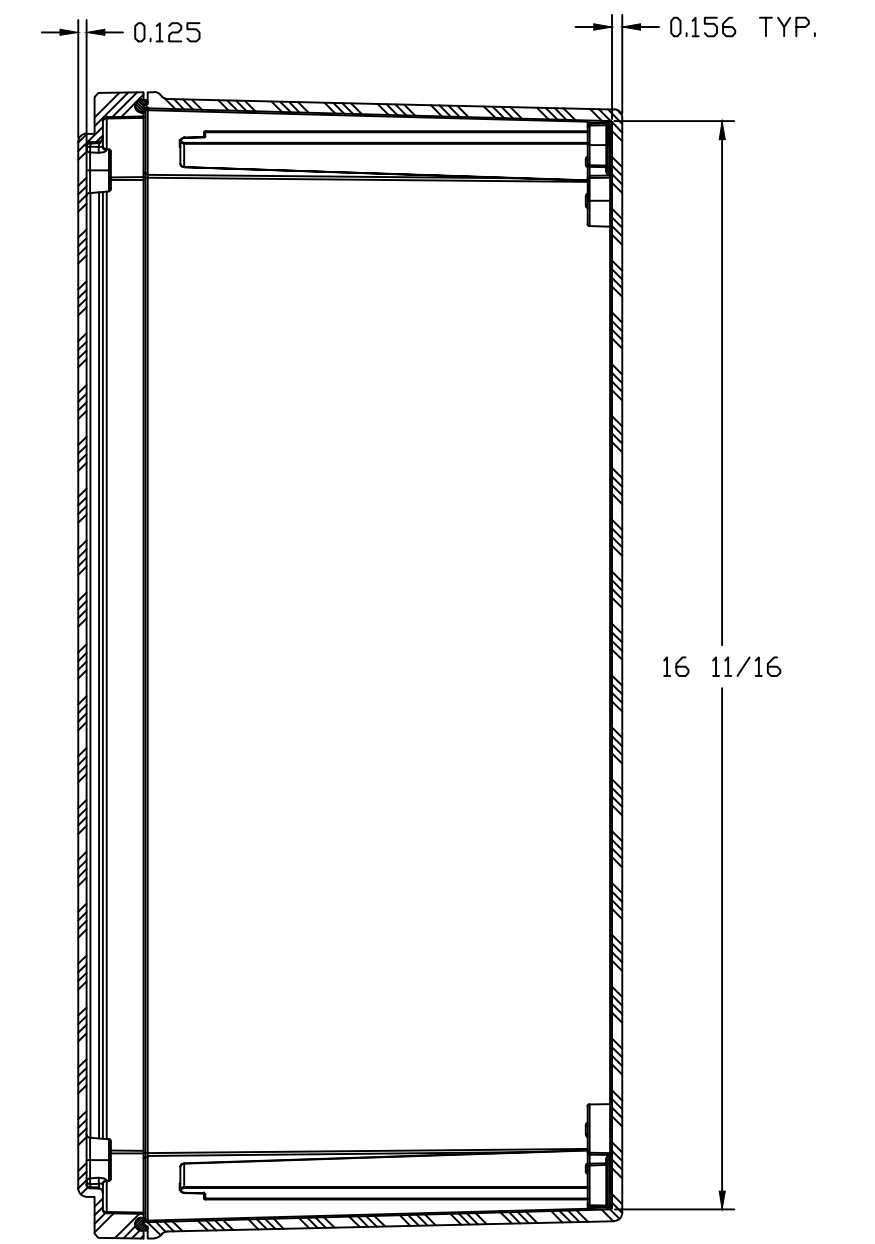
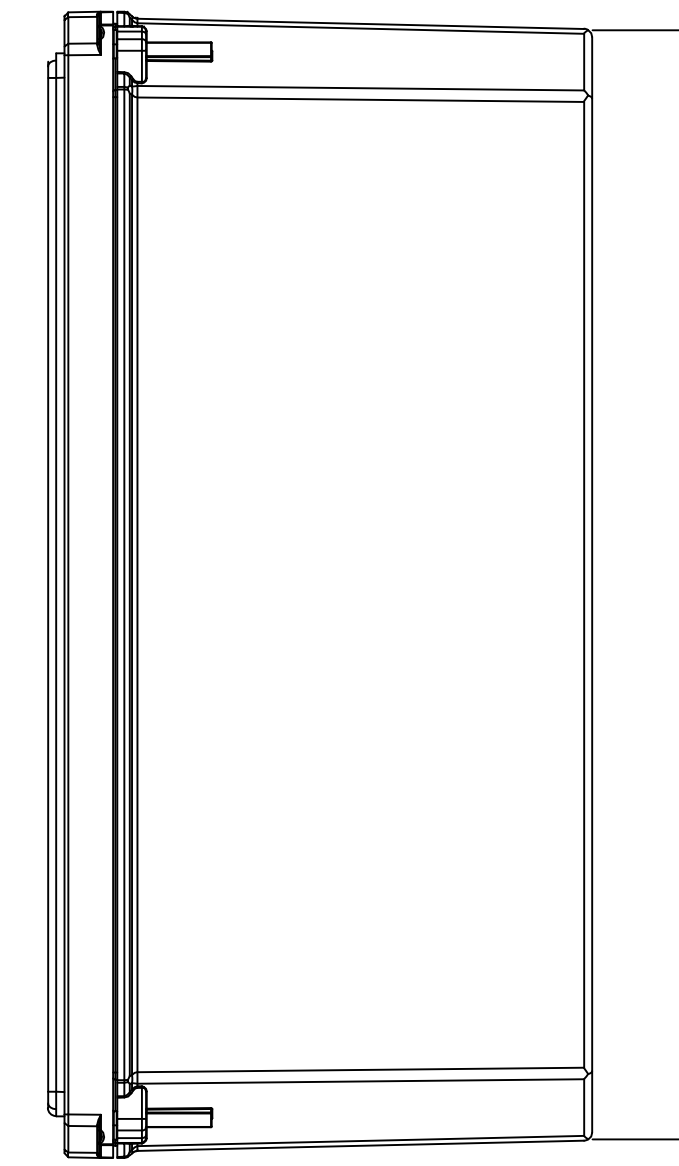
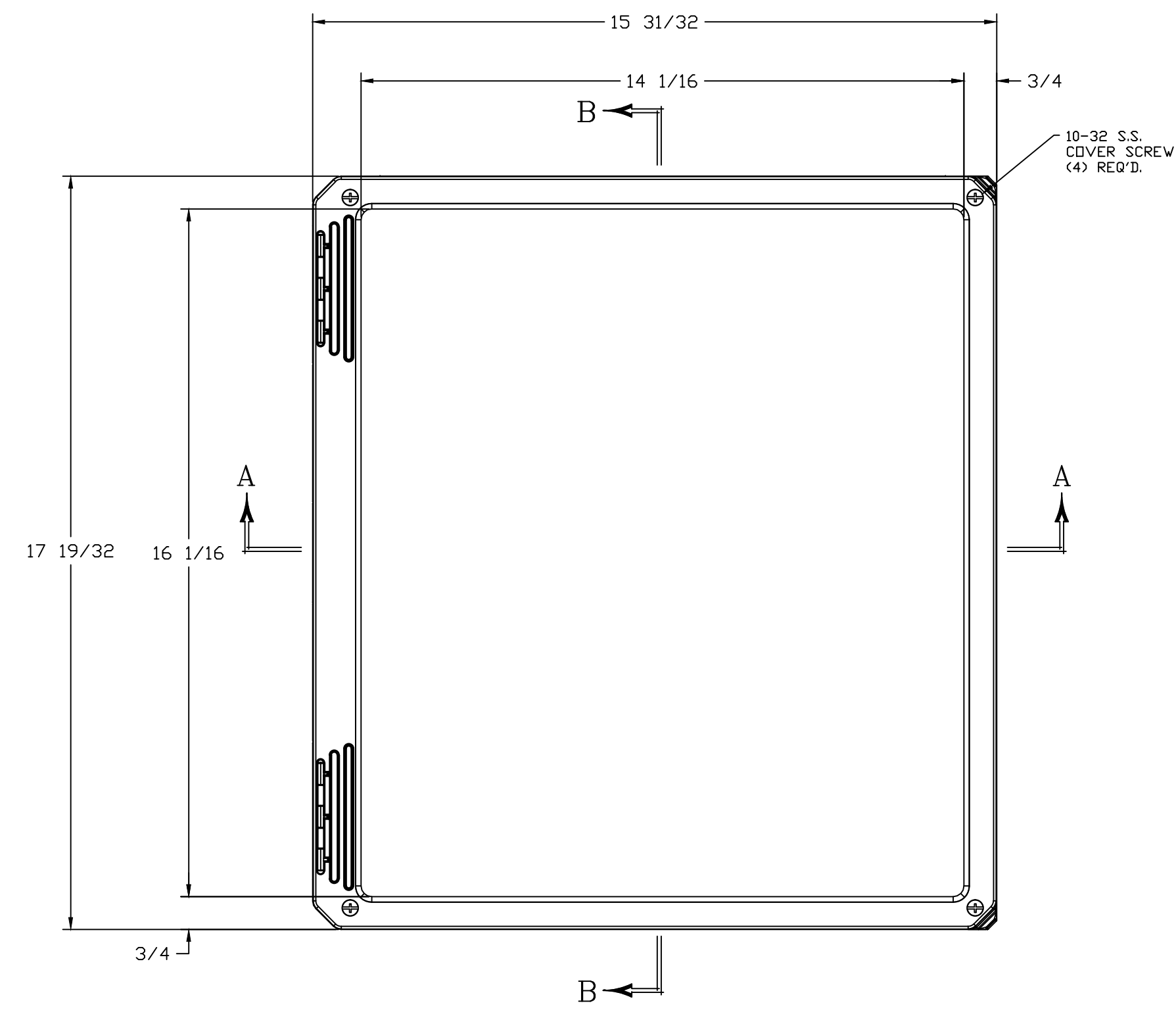
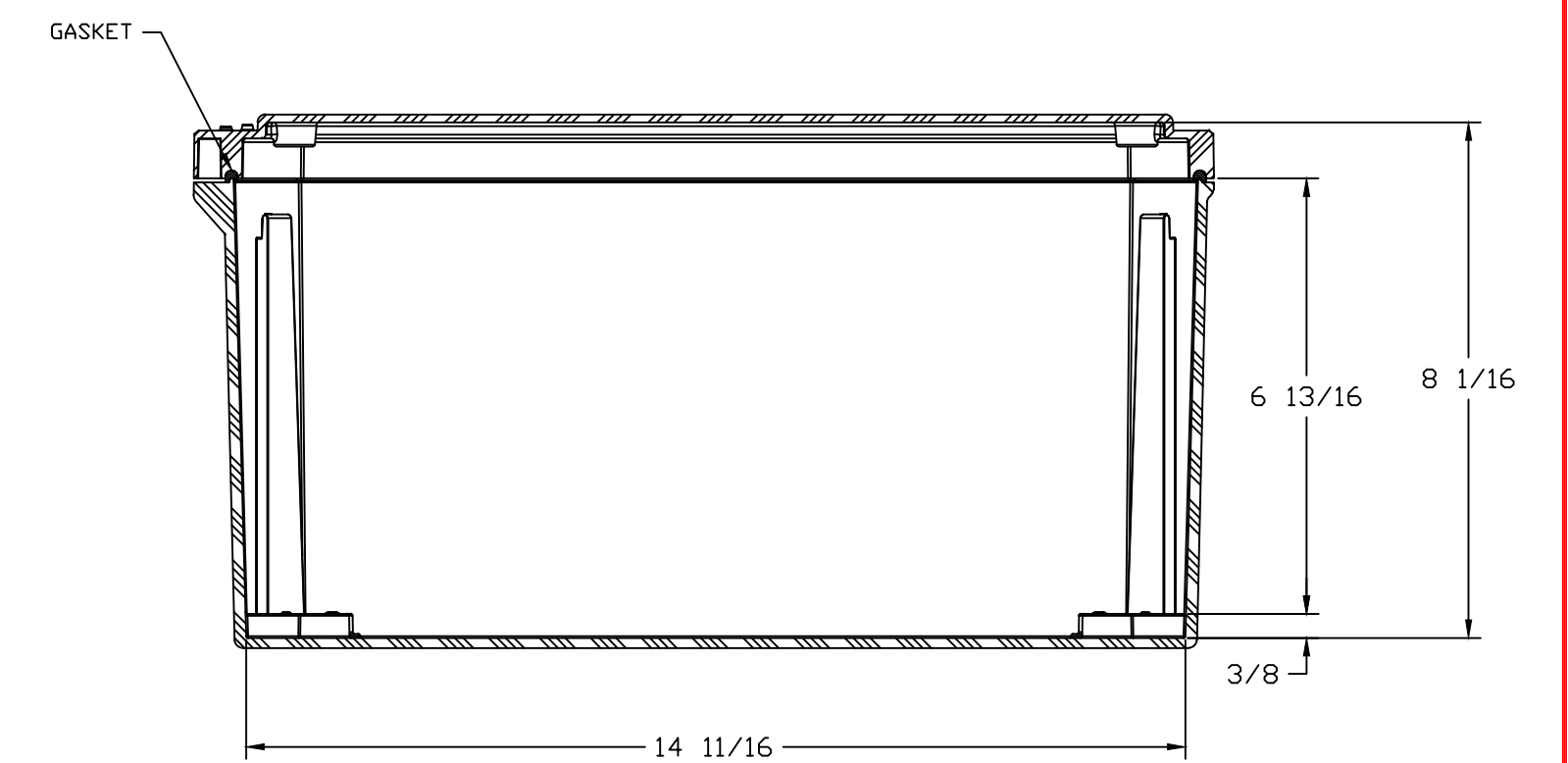
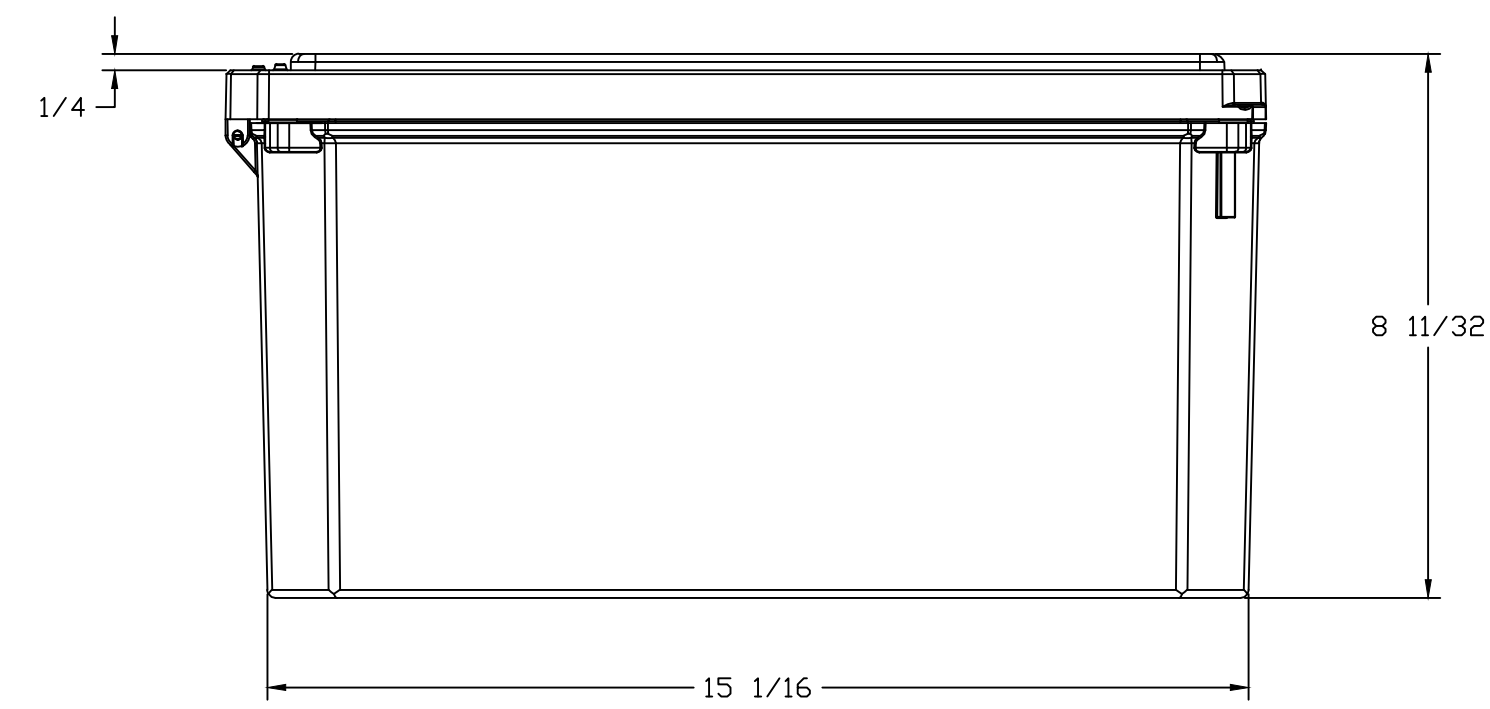


WITH COVER REMOVED




SECTION B-B



SECTION A-A

NOTES:

NEMA 1, 3, 3S, 4X, 12, 13 IP66		TOLERANCES UNLESS SPECIFIED		DECIMAL ± .010	FRACTIONAL ± 1/32
MATERIAL		DR. BY	DATE	 STAHLIN ENCLOSURES DIVISION OF ROBROY INDUSTRIES	
F.R. POLYESTER FIBERGLASS		ZJB	4/15/03		
LET.	REVISION RECORD	DATE	BY	CHD.	BELDING, MICHIGAN 48809 AutoCAD DWG. FILE DS161408W
		APD. BY	DATE	CUSTOMER	
		SCALE 1:1		PART NAME	PART NO.
				ENCLOSURE	DS161408W