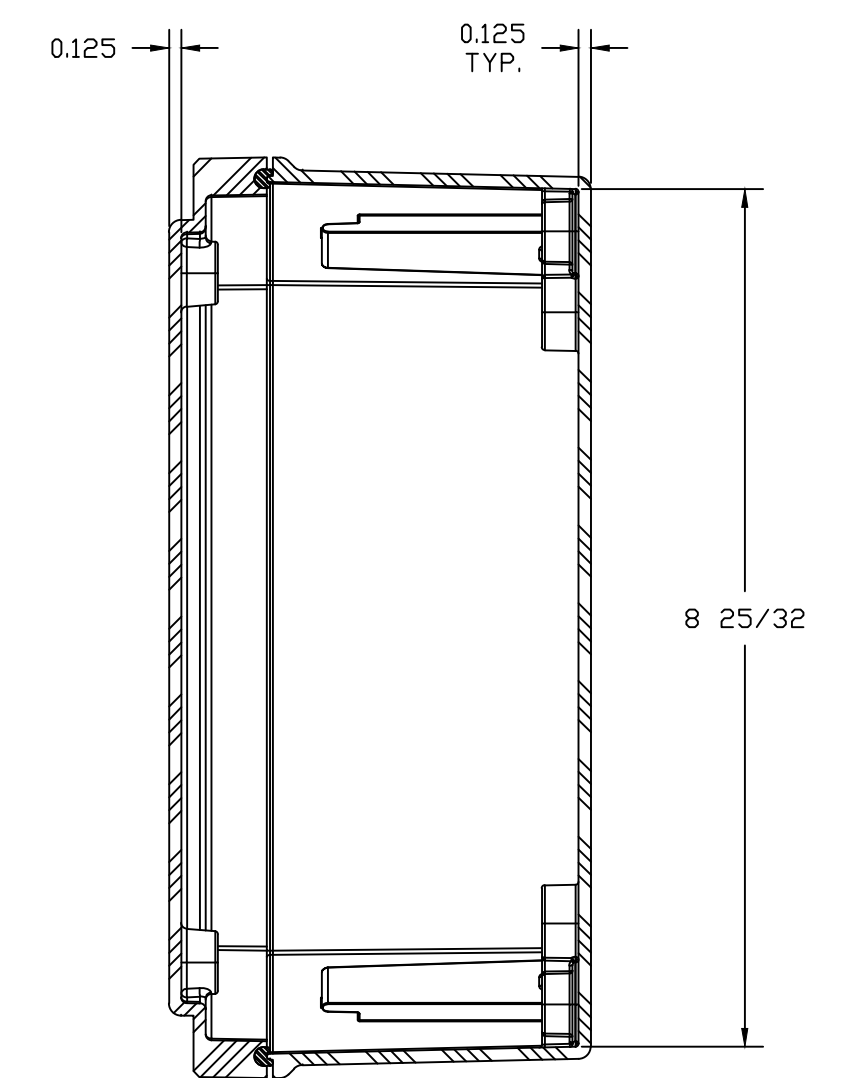
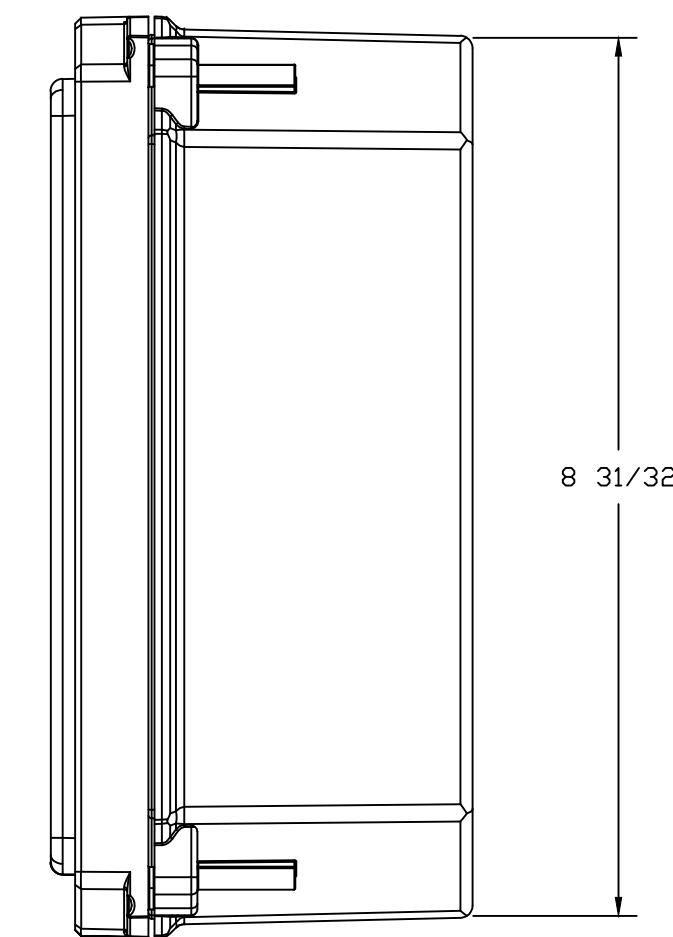
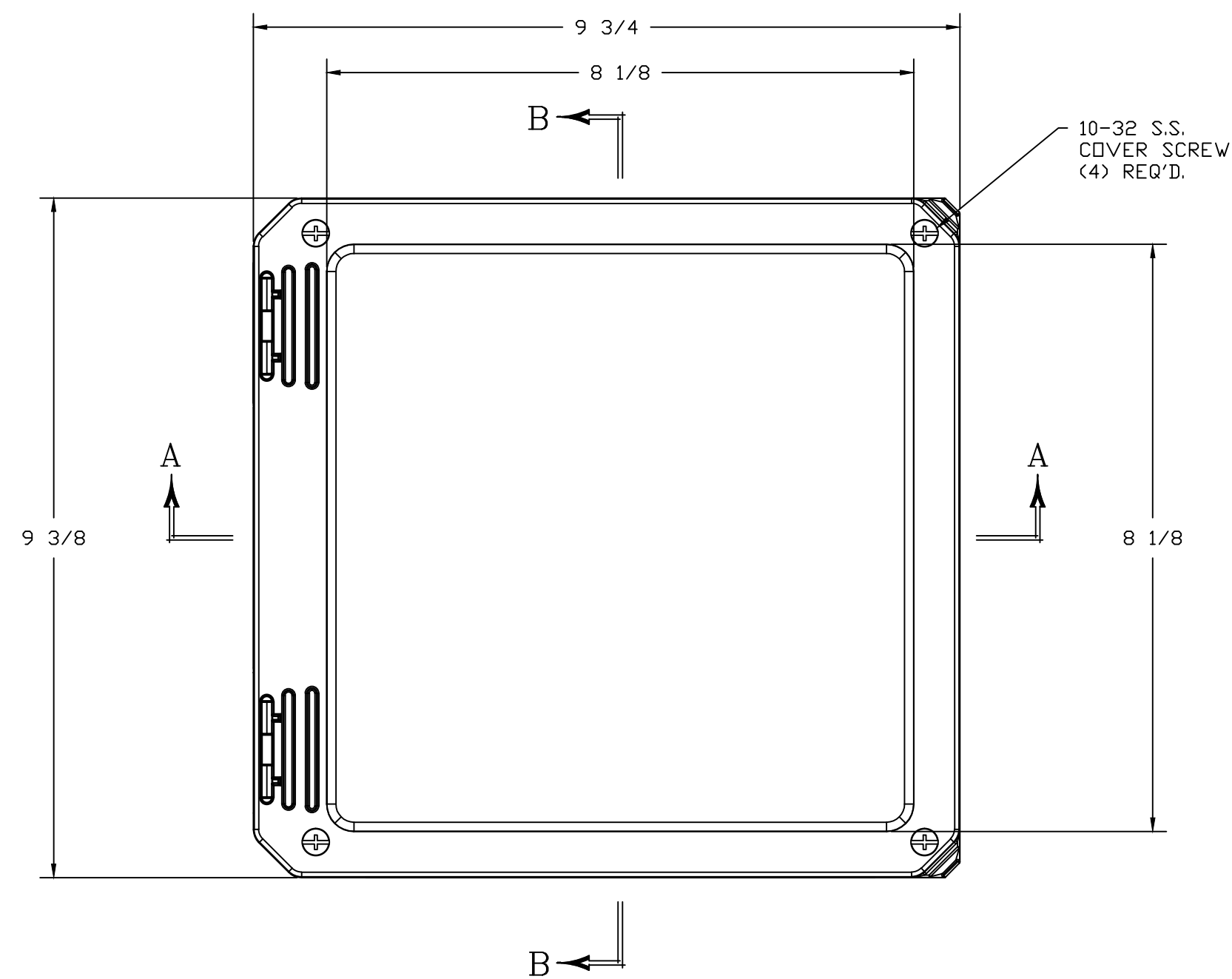
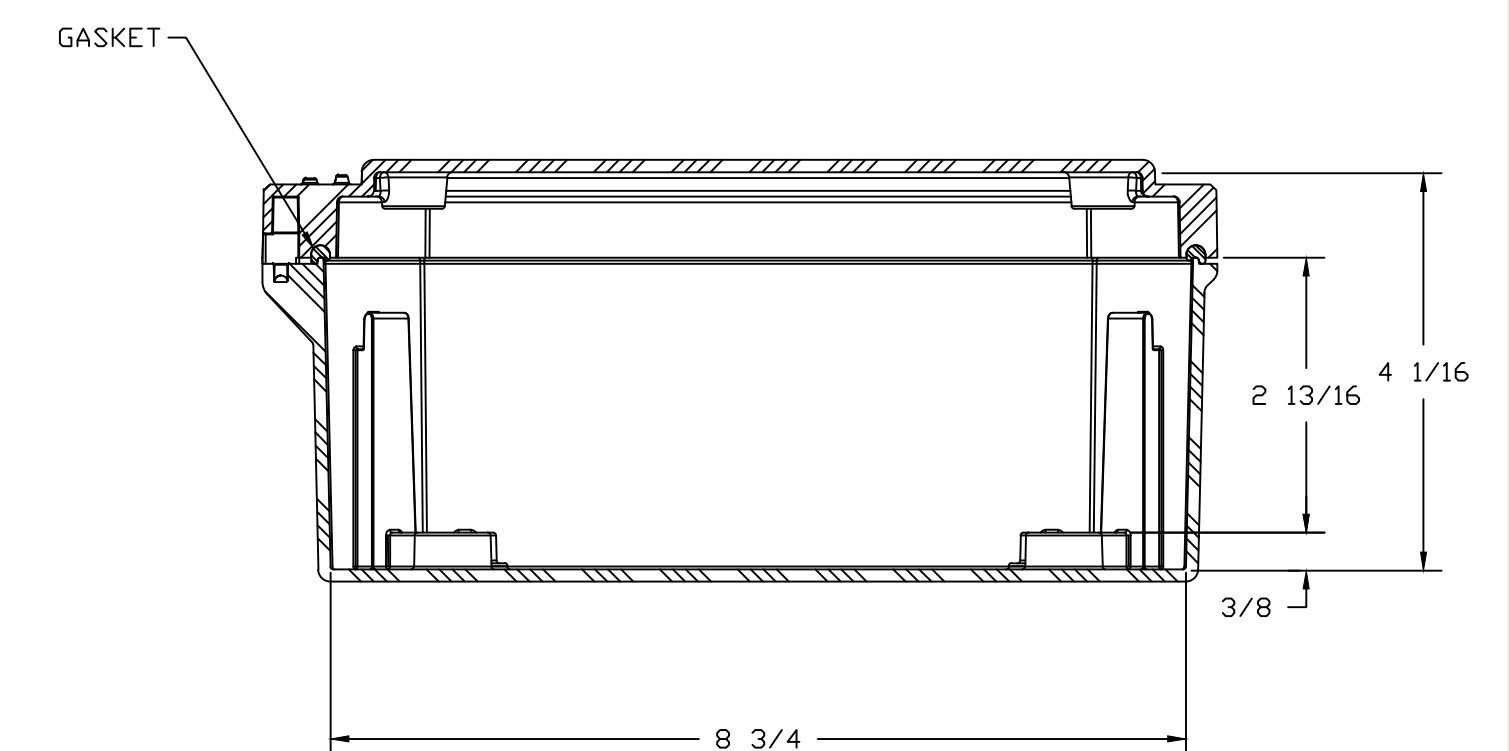
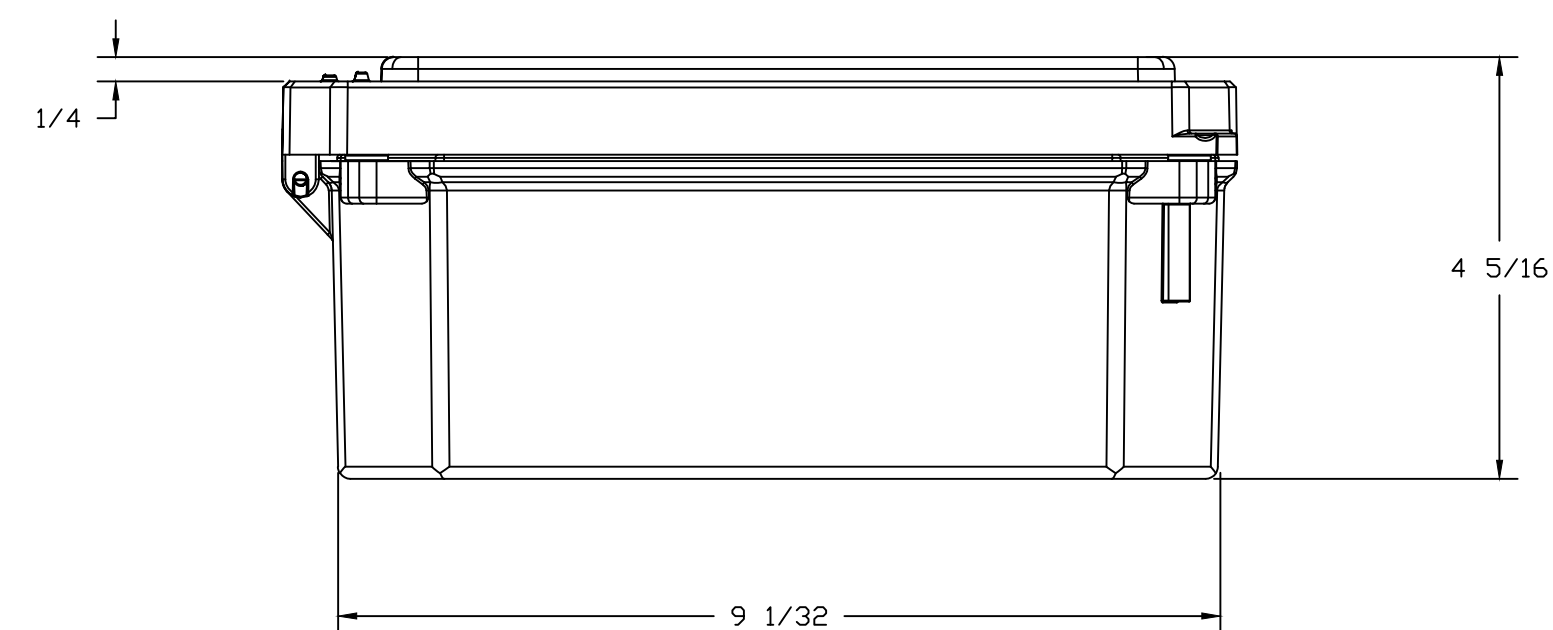



WITH COVER REMOVED



SECTION B-B



NOTES:

COLOR: GLACIER GRAY RR1013				TOLERANCES UNLESS SPECIFIED		DECIMAL ± .010	FRACTIONAL ± 1/32
NEMA 1, 3, 3S, 4X, 12, 13 IP66							
MATERIAL F.R. POLYESTER FIBERGLASS				DR. BY ZJB	DATE 3/31/03	 BELDING, MICHIGAN 48809	
LET.	REVISION RECORD	DATE	BY	CHK. BY	DATE		
				APD. BY	DATE	CUSTOMER STAHLIN	AutoCAD DWG. FILE DS80804W
				SCALE DO NOT SCALE		PART NAME ENCLOSURE	PART NO. DS80804W