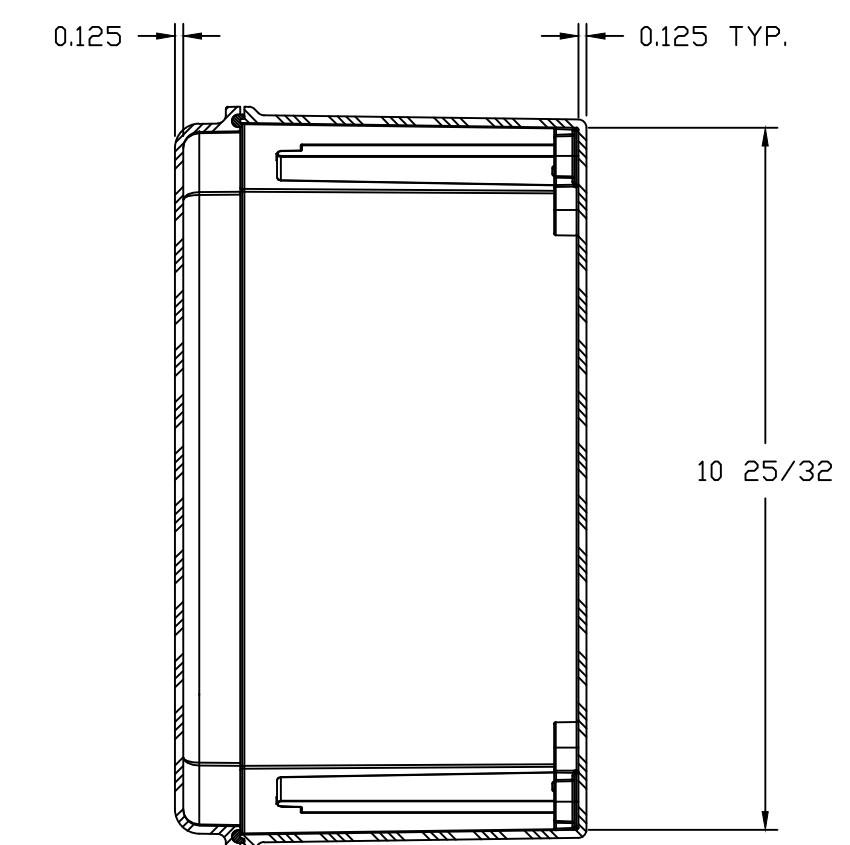
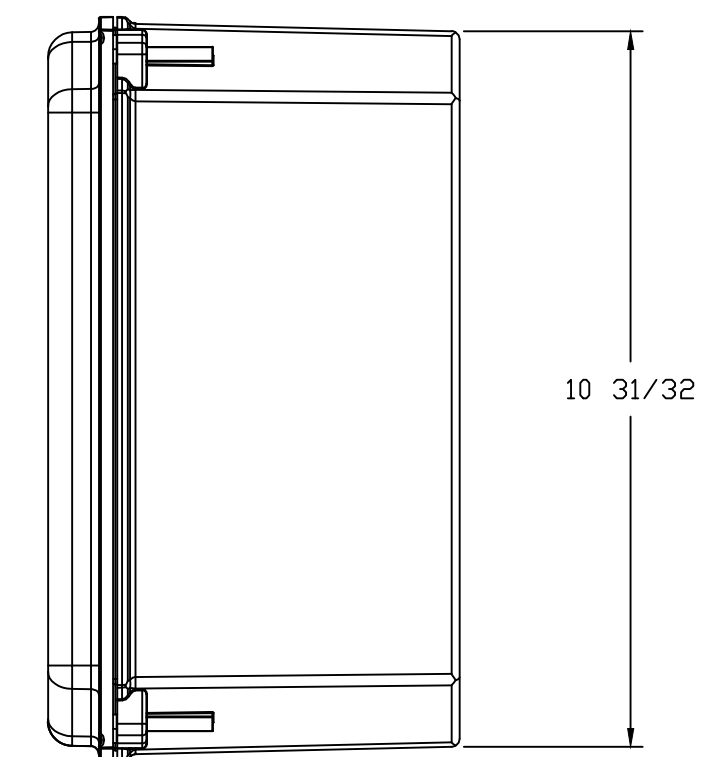
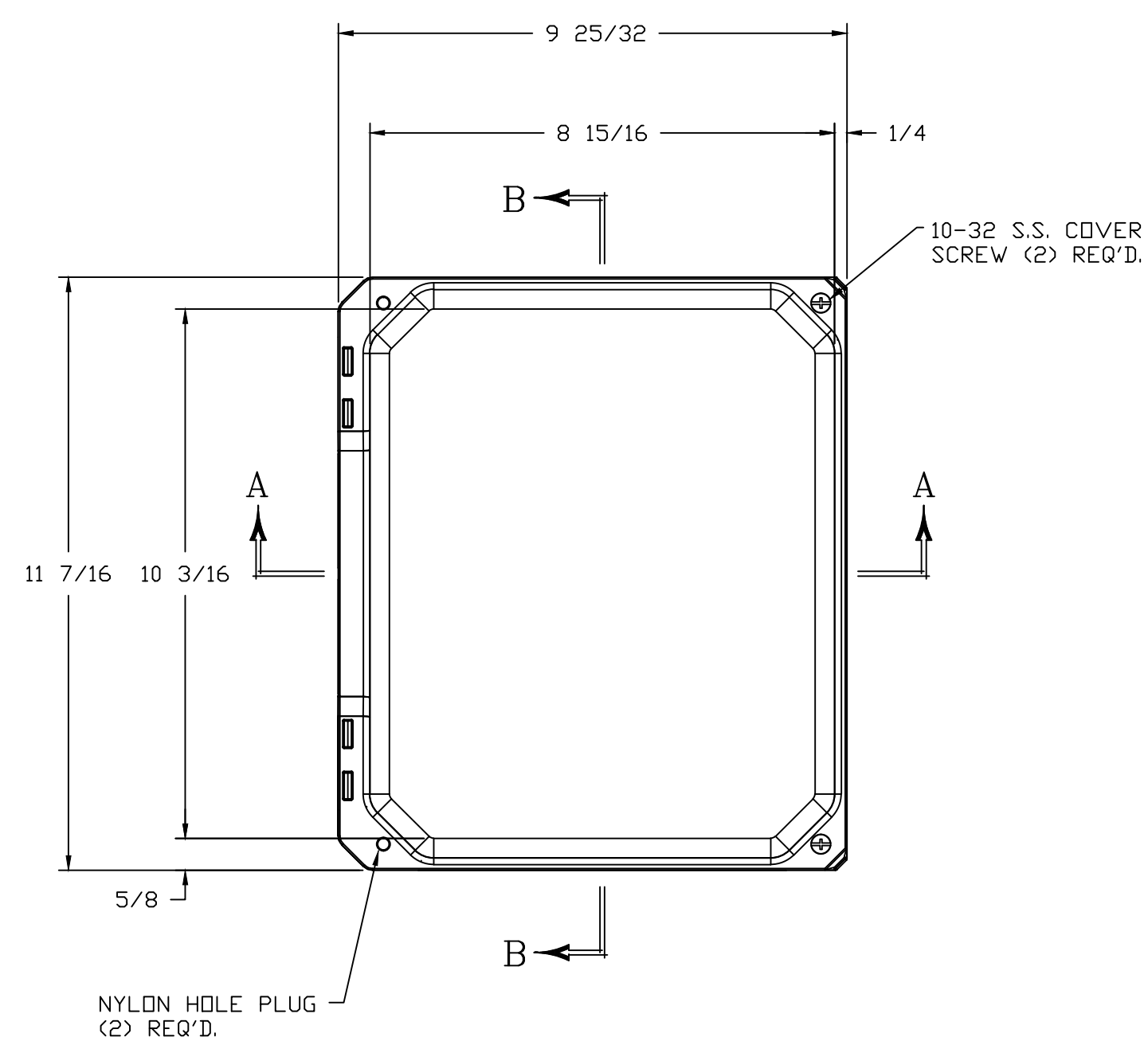
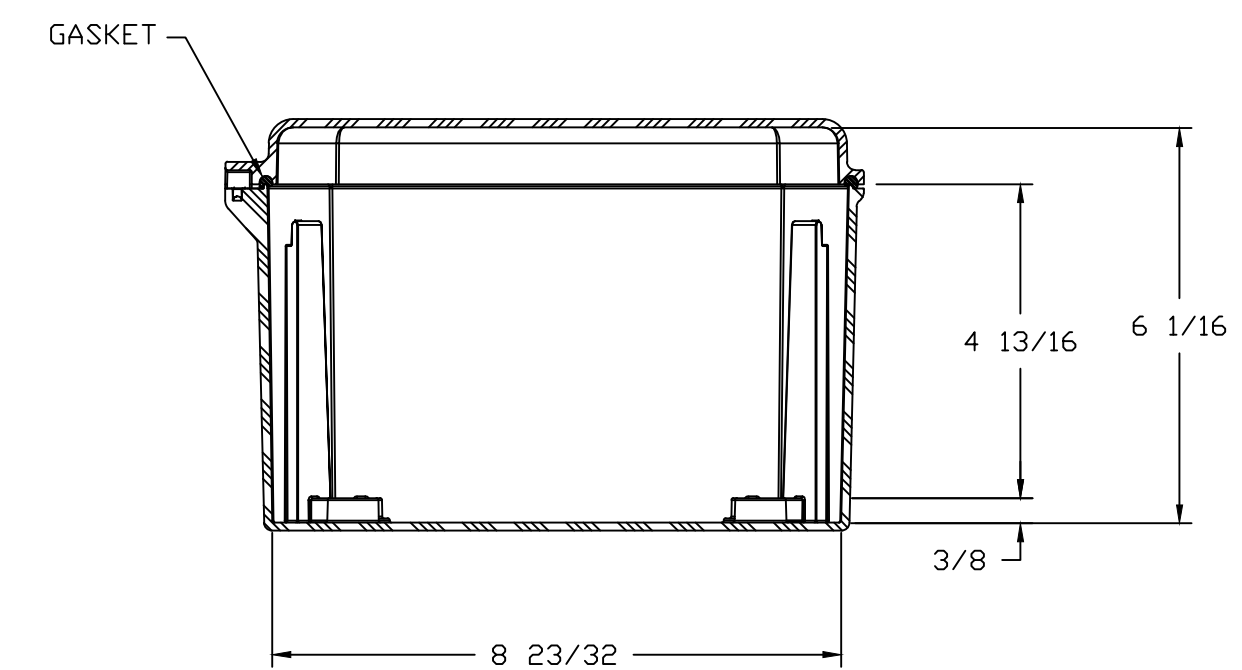
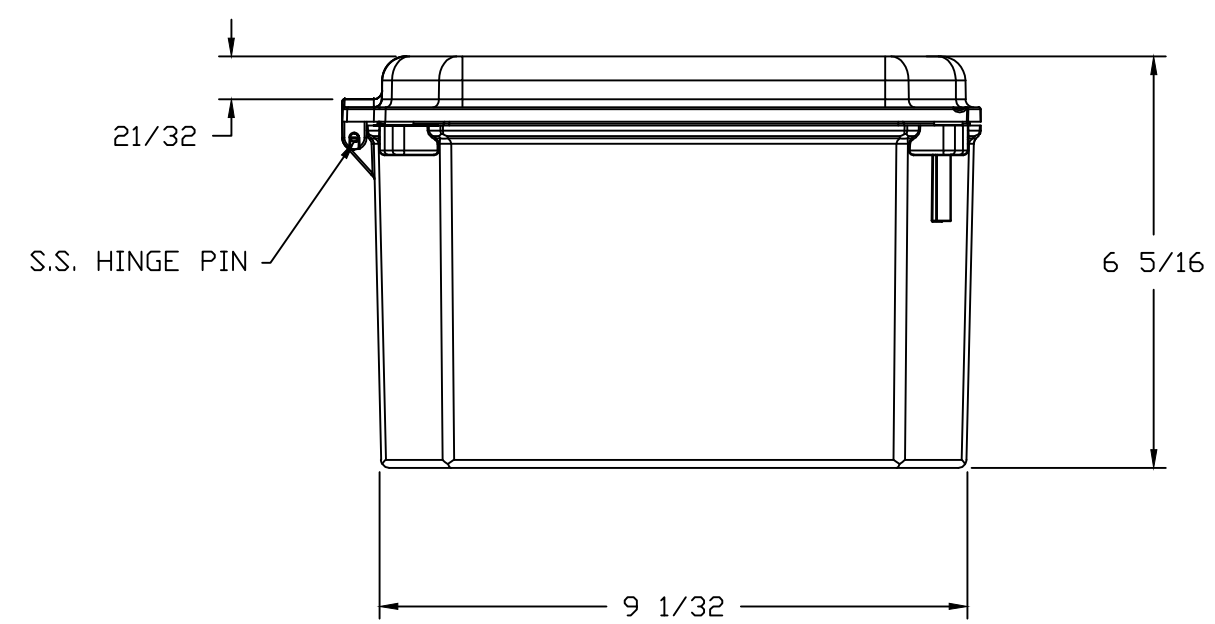


WITH COVER REMOVED



SECTION B-B



SECTION A-A

MATERIAL		REVISION RECORD		DATE		BY		CHD.		DATE		APD. BY		DATE		SCALE		PART NAME		PART NO.	
F.R. POLYESTER FIBERGLASS																		ENCLOSURE		DSCC100806HW	
NEMA 1, 3, 3S, 4X, 12, 13 IP66																		CUSTOMER		DSCC100806HW	
COLOR: GLACIER GRAY RR1013																		ENCLOSURE		DSCC100806HW	
TOLERANCES UNLESS SPECIFIED																		ENCLOSURE		DSCC100806HW	
DECIMAL ±.010																		ENCLOSURE		DSCC100806HW	
FRACTIONAL ± 1/32																		ENCLOSURE		DSCC100806HW	



AutoCAD DWG FILE  
DSCC100806HW