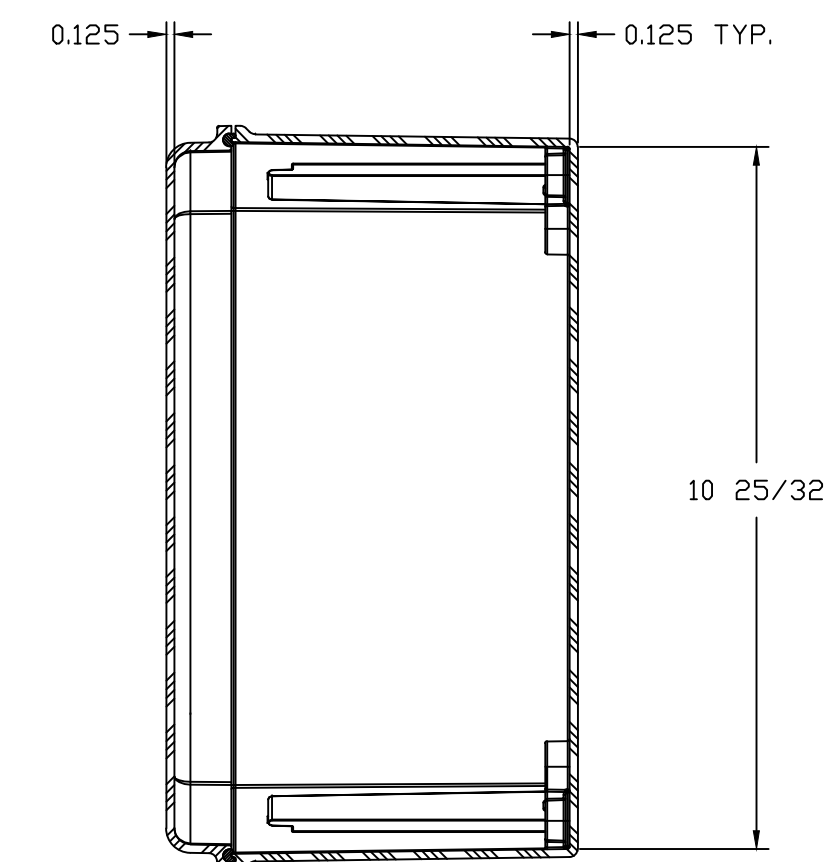
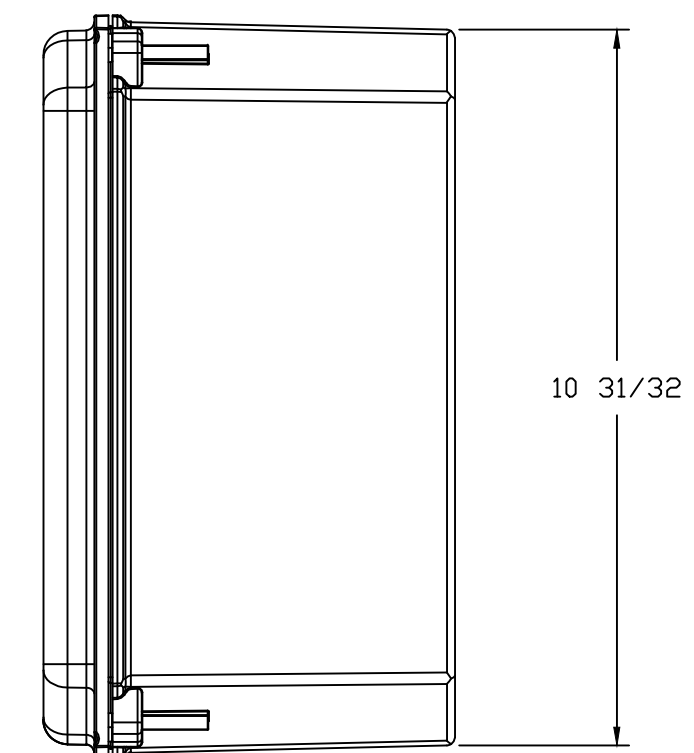
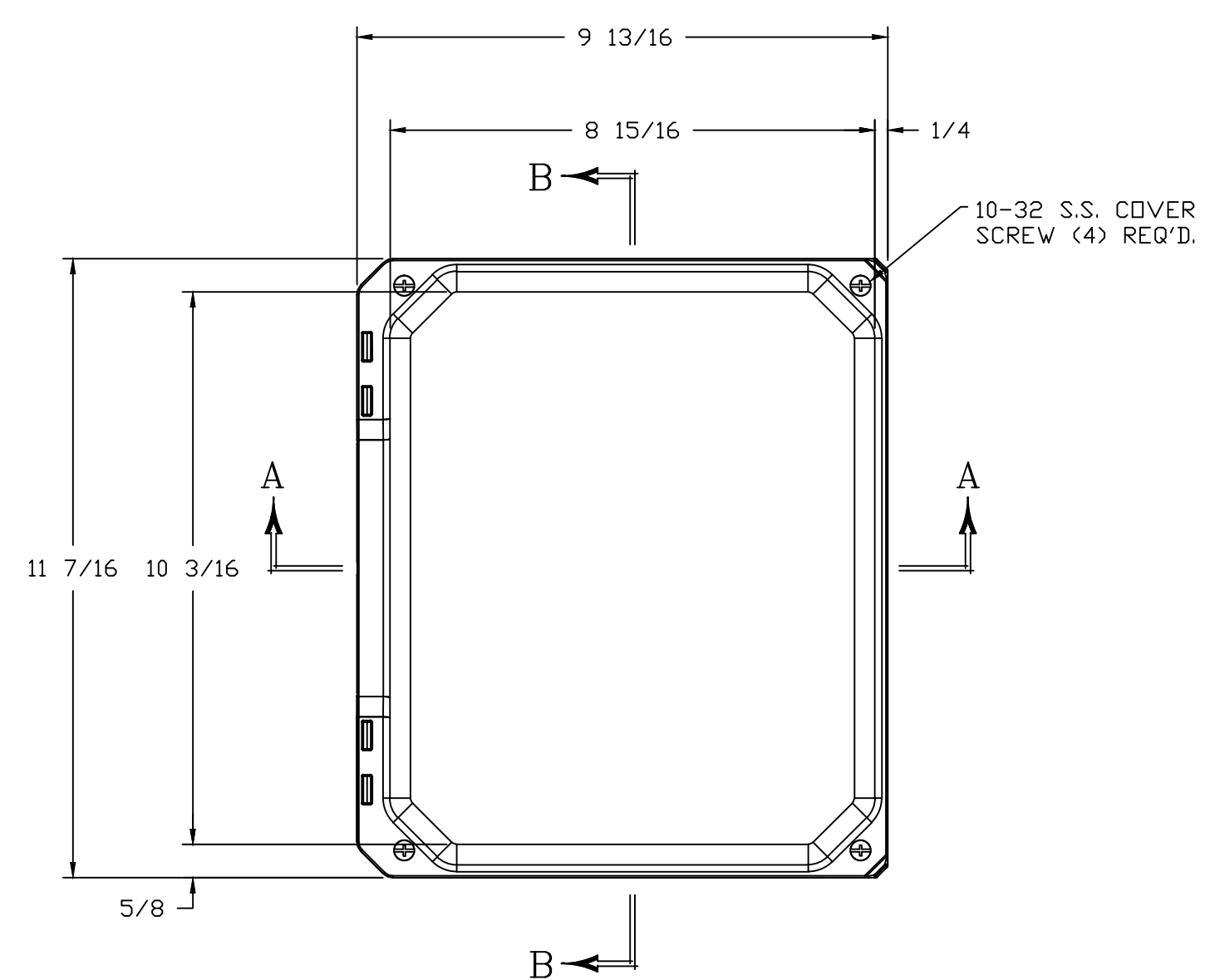
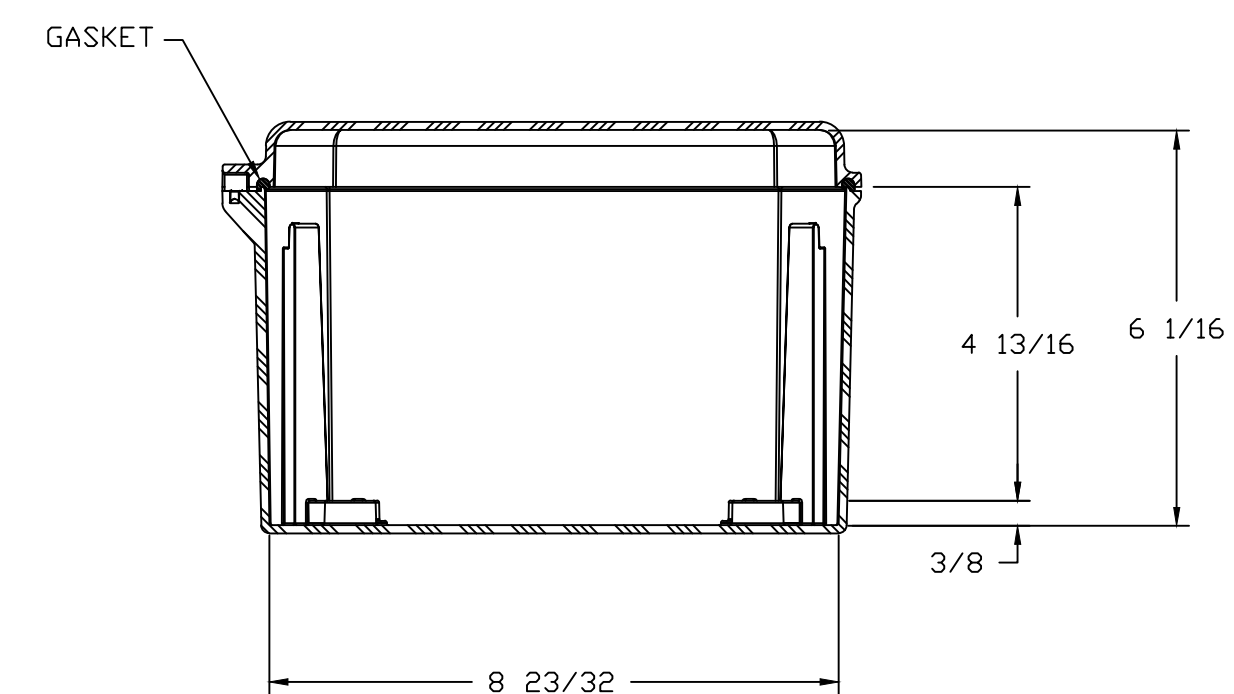
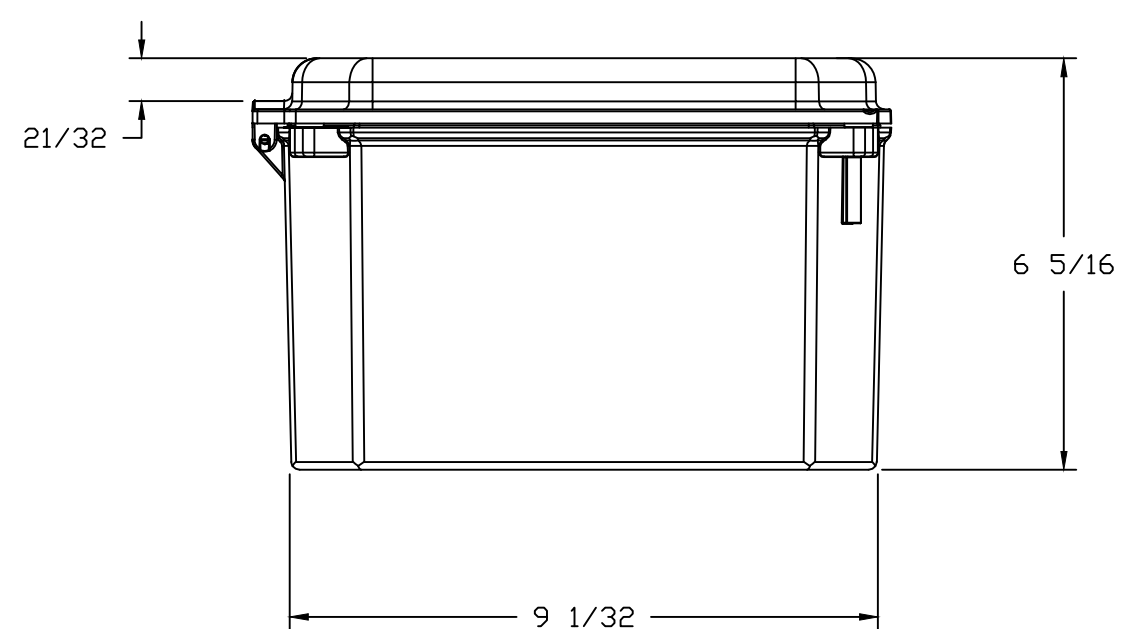


WITH COVER REMOVED



SECTION B-B



SECTION A-A

COLOR: GLACIER GRAY RR1013				TOLERANCES UNLESS SPECIFIED		DECIMAL ± .010	FRACTIONAL ± 1/32
NEMA 1, 3, 3S, 4X, 12, 13 IP66				DR. BY ZJB		DATE 4/3/03	
MATERIAL F.R. POLYESTER FIBERGLASS				CHK. BY		DATE	
LET.	REVISION RECORD	DATE	BY	CHD.	APD. BY	DATE	CUSTOMER
							AutoCAD DWG. FILE DSCC100806W
SCALE DO NOT SCALE				PART NAME ENCLOSURE		PART NO. DSCC100806W	



BELDING, MICHIGAN 48809