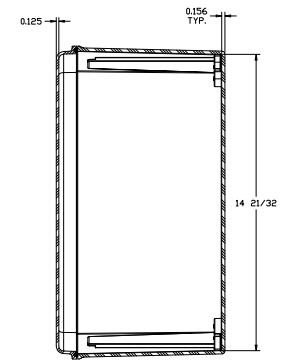
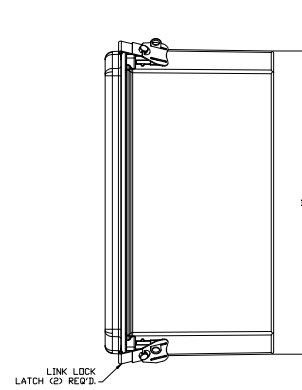
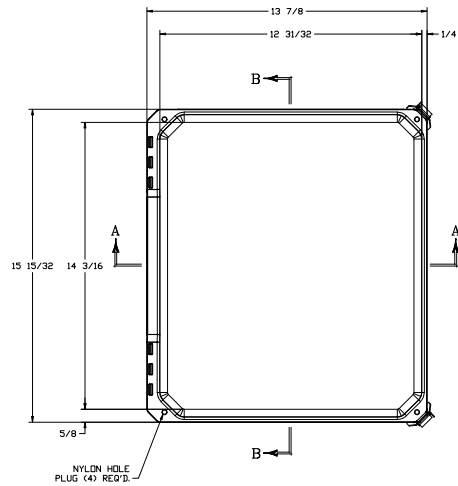
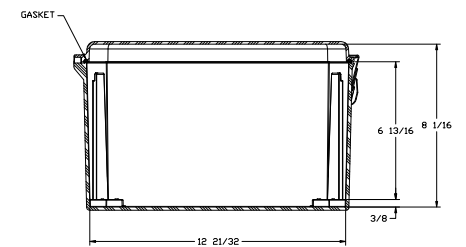
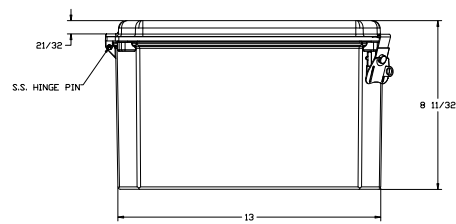


WITH COVER REMOVED



SECTION B-B



SECTION A-A

NOTES

MATERIAL		F.R. POLYESTER FIBERGLASS		CDLR: GLACIER GRAY RR1013		TOLERANCES UNLESS SPECIFIED		DECIMAL	FRACTIONAL
NEMA 1, 3, 3S, 4X, 12, 13 IP66		DR BY DATE		ZJB 5/5/03		UNLESS SPECIFIED		± .010	± 1/32
LET.	REVISION RECORD	DATE	BY	CHK. BY	DATE	STAHLIN ENCLOSURES DIVISION OF ROBERT INDUSTRIES		BELDING, MICHIGAN 48809	
				APP. BY	DATE	CUSTOMER		MACHD ENG. FILE	
				SCALE		PART NAME		PART NO.	
				DD NDT SCALE		ENCLOSURE		DSCC141208HLL	