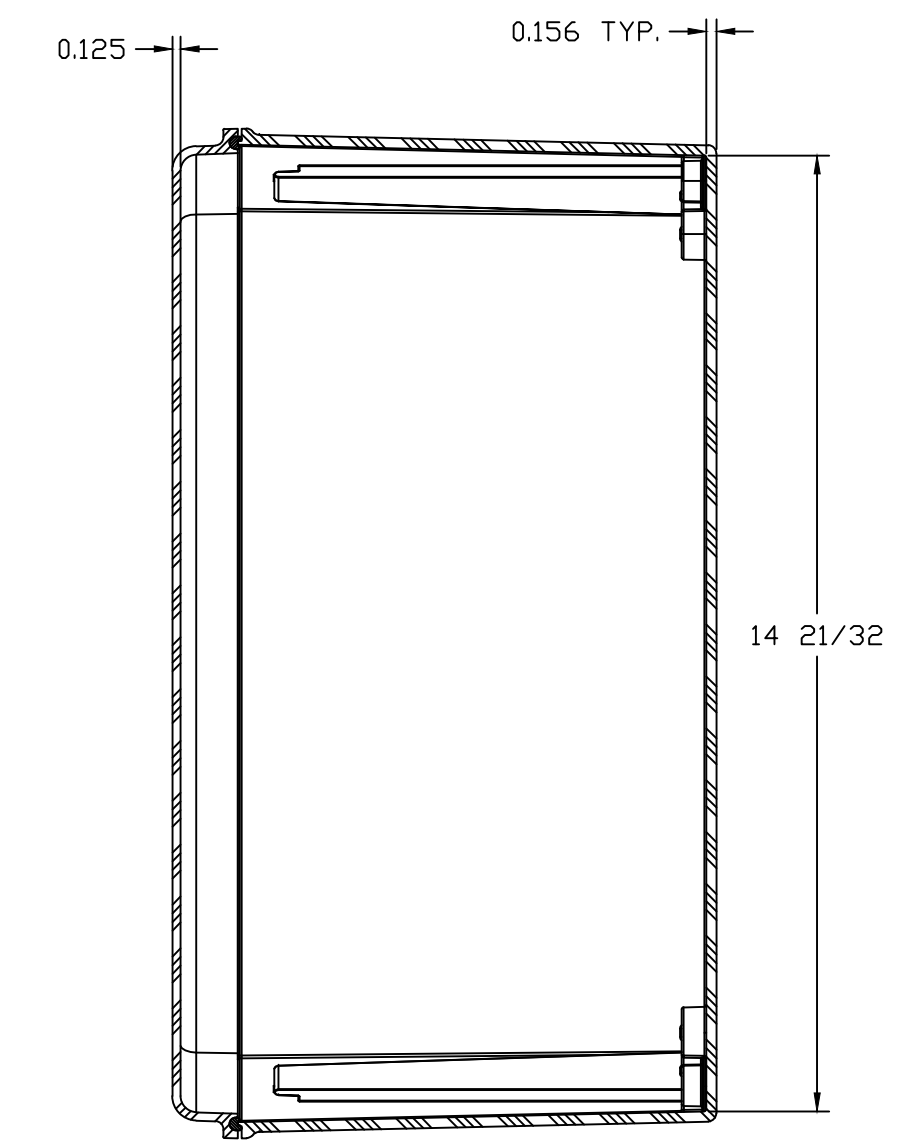
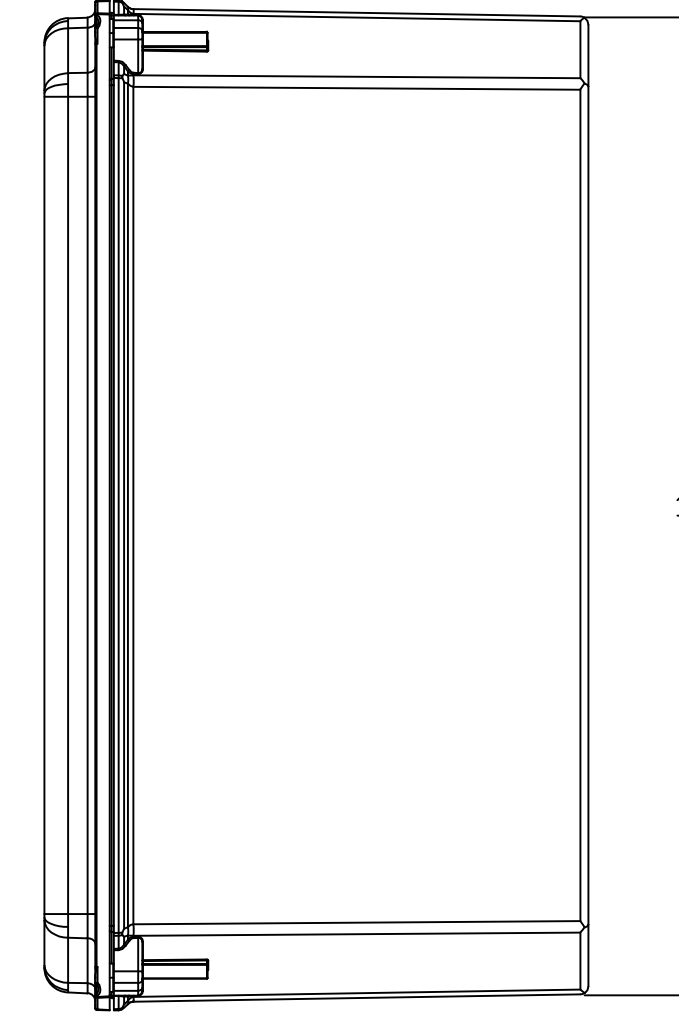
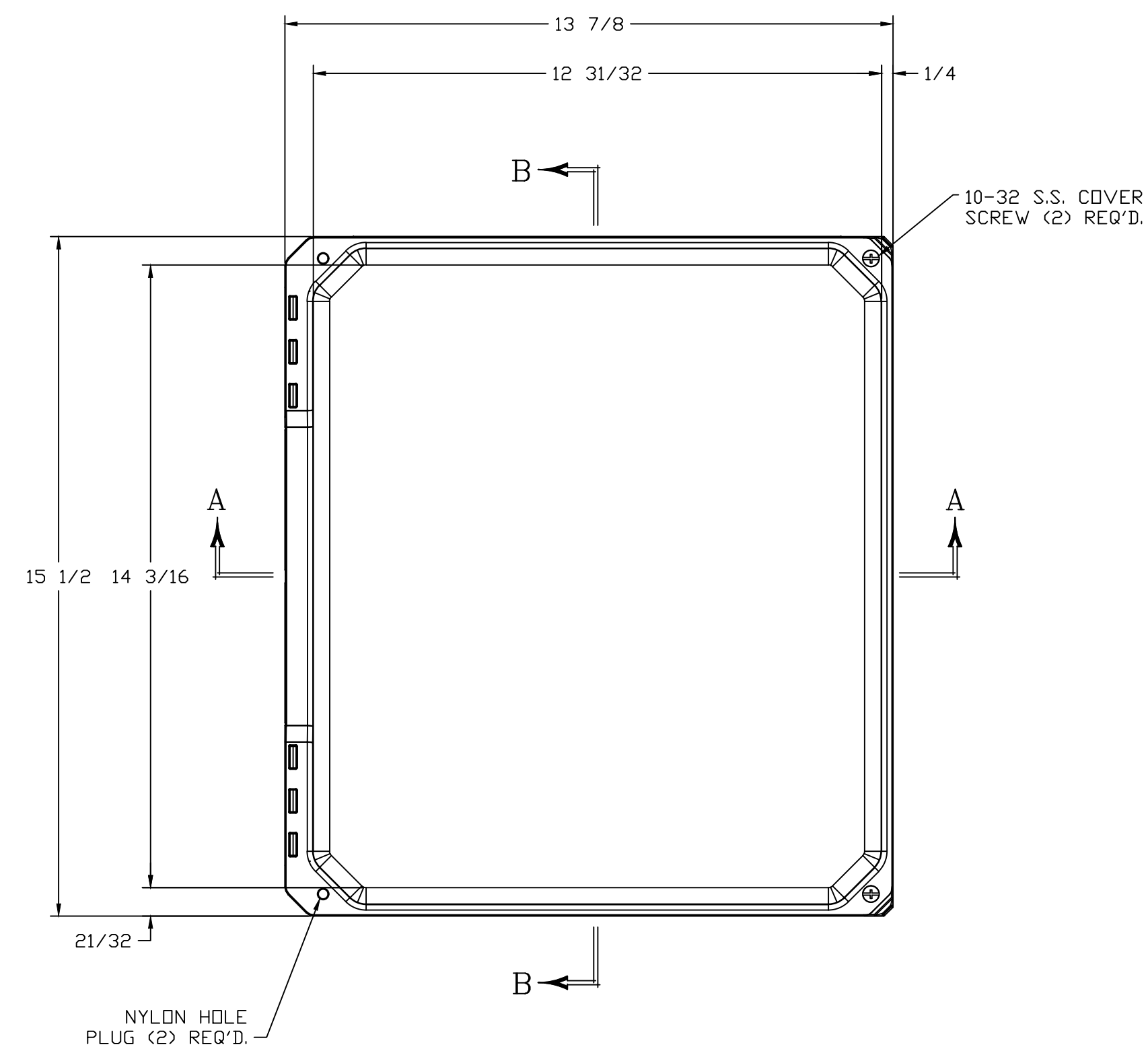
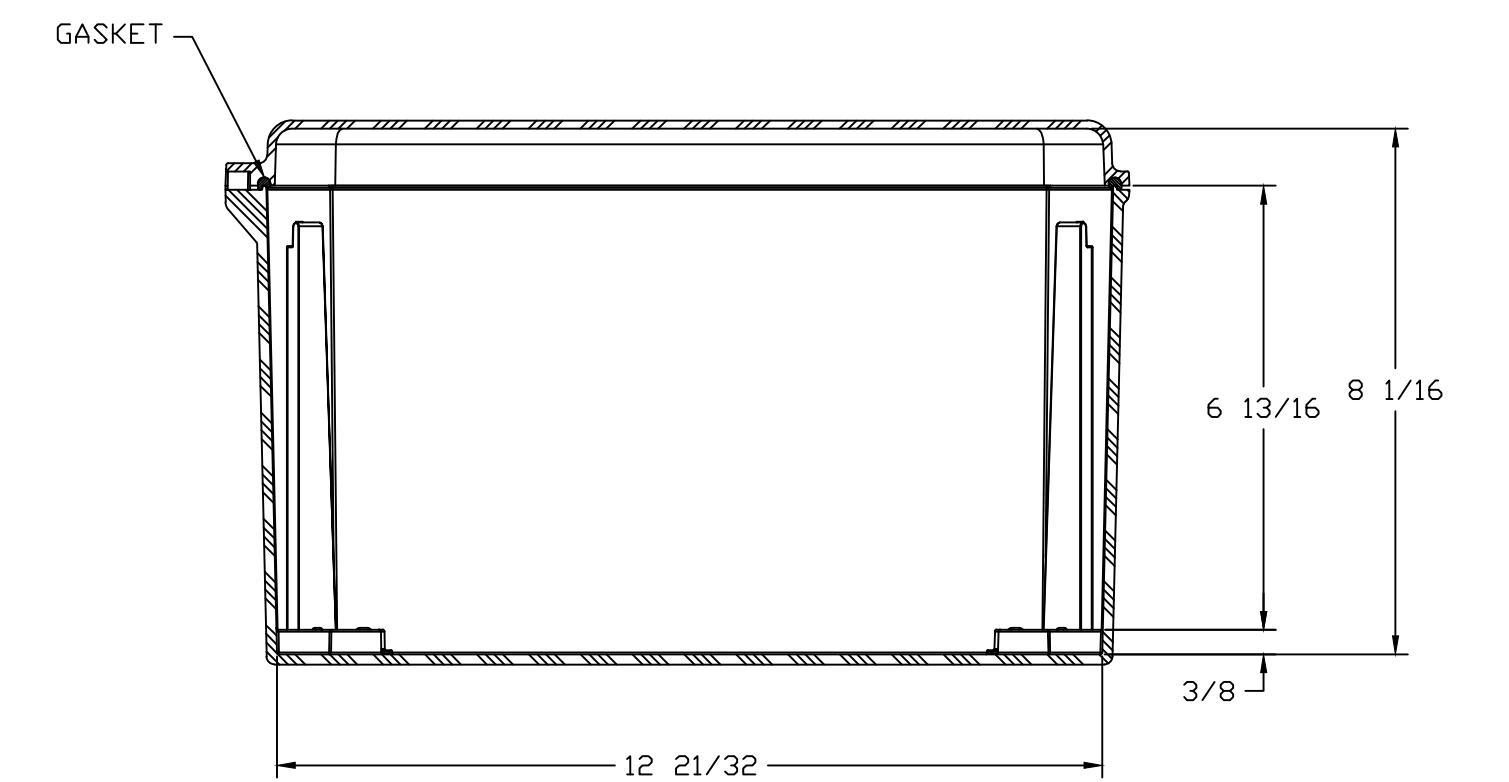
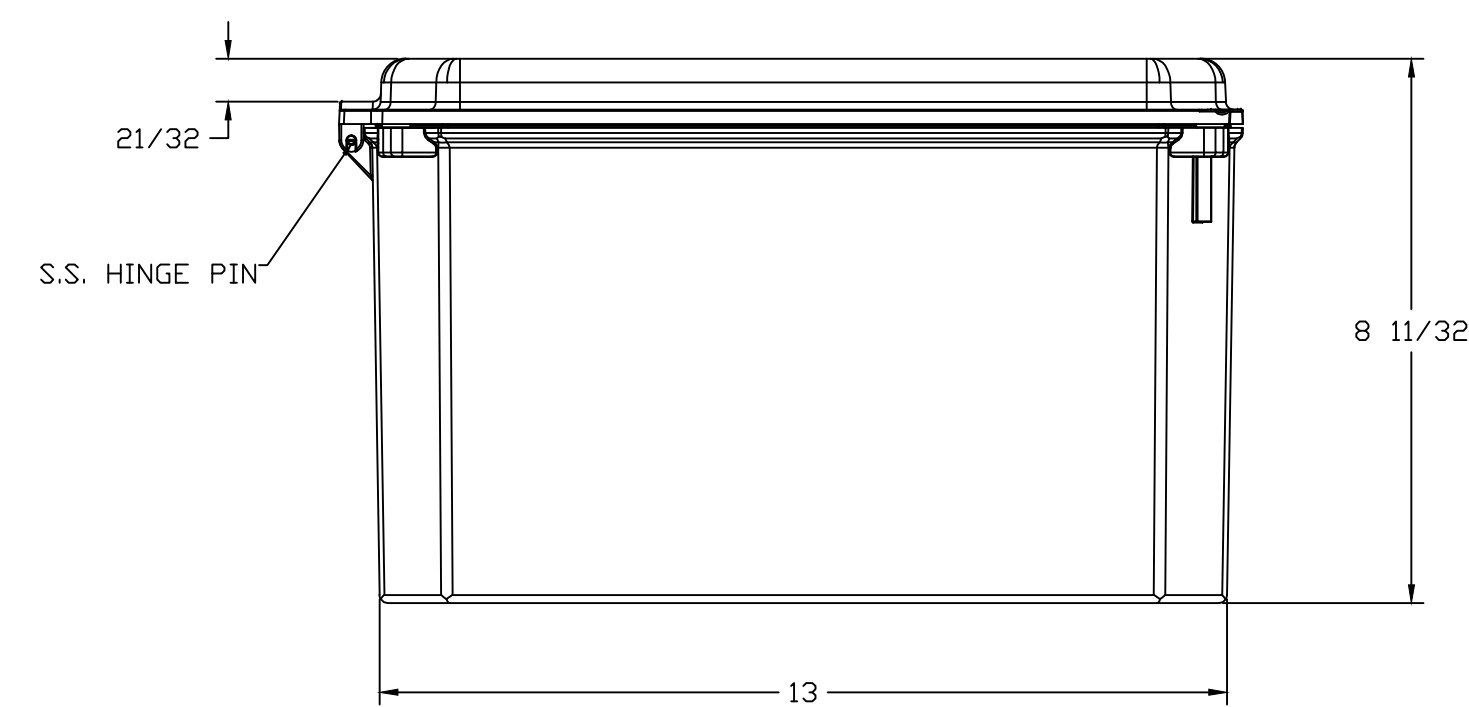


WITH COVER REMOVED



SECTION B-B



SECTION A-A

NOTES:

MATERIAL		F.R. POLYESTER FIBERGLASS		NEMA 1, 3, 3S, 4X, 12, 13 IP66		COLOR: GLACIER GRAY RR1013		TOLERANCES UNLESS SPECIFIED		DECIMAL ± .010		FRACTIONAL ± 1/32		
DR. BY	DATE	DR. BY	DATE	DR. BY	DATE	STAHLIN ENCLOSURES		DIVISION OF ROBOBY INDUSTRIES		BELDING, MICHIGAN 48809		AutoCAD DWG. FILE		
CHK. BY	DATE	CHK. BY	DATE	CHK. BY	DATE	CUSTOMER						DSCC141208HW		
LET.	REVISION RECORD	DATE	BY	CHD.	APD. BY	DATE							PART NO. DSCC141208HW	
SCALE		PART NAME		ENCLOSURE		PART NO.						DSCC141208HW		