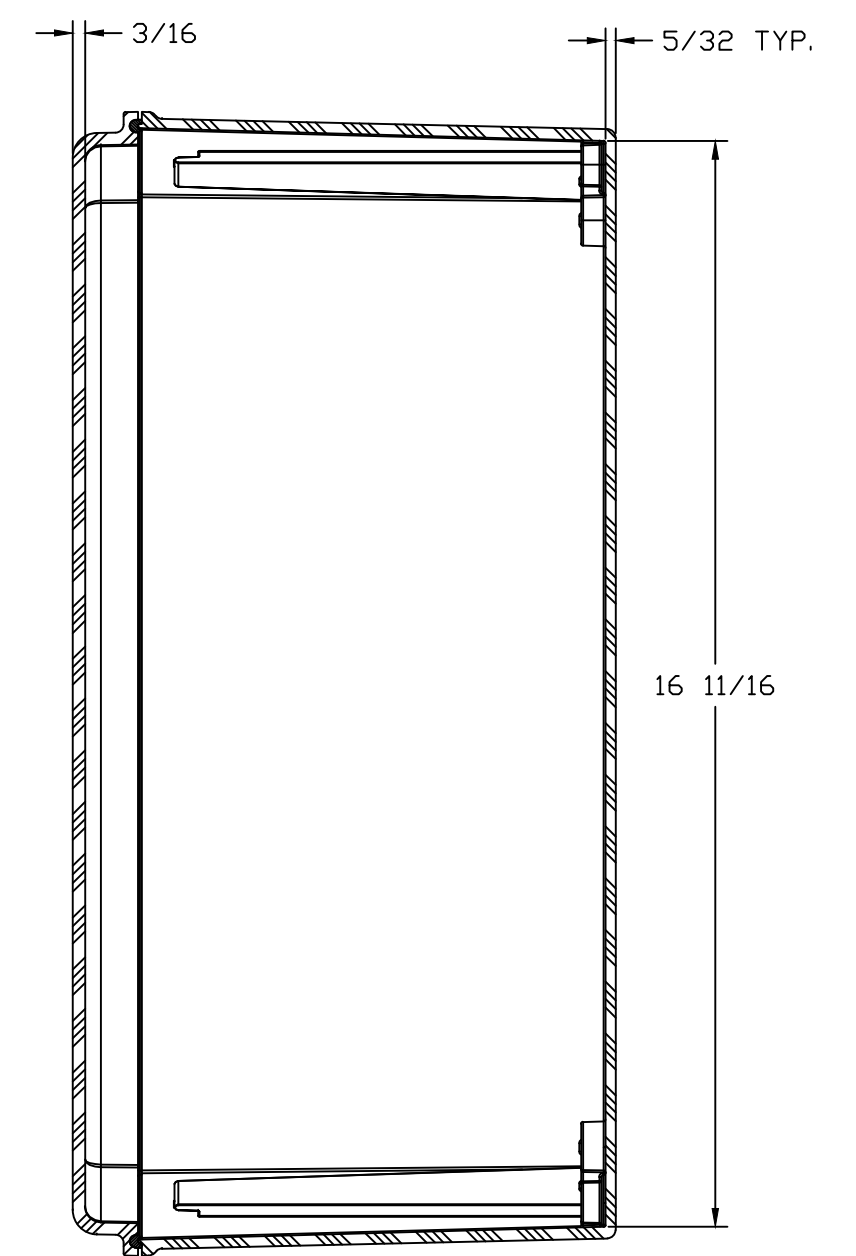
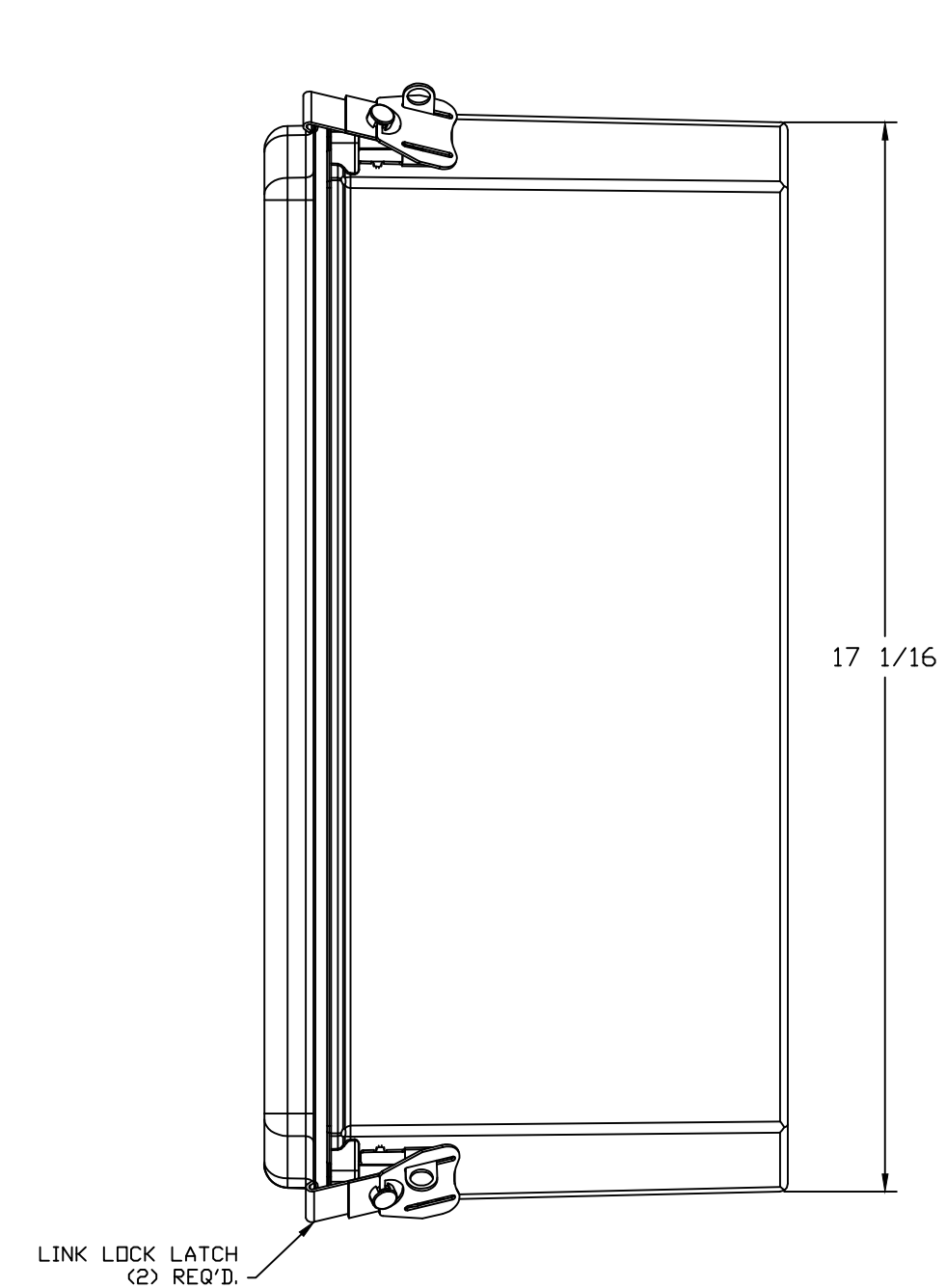
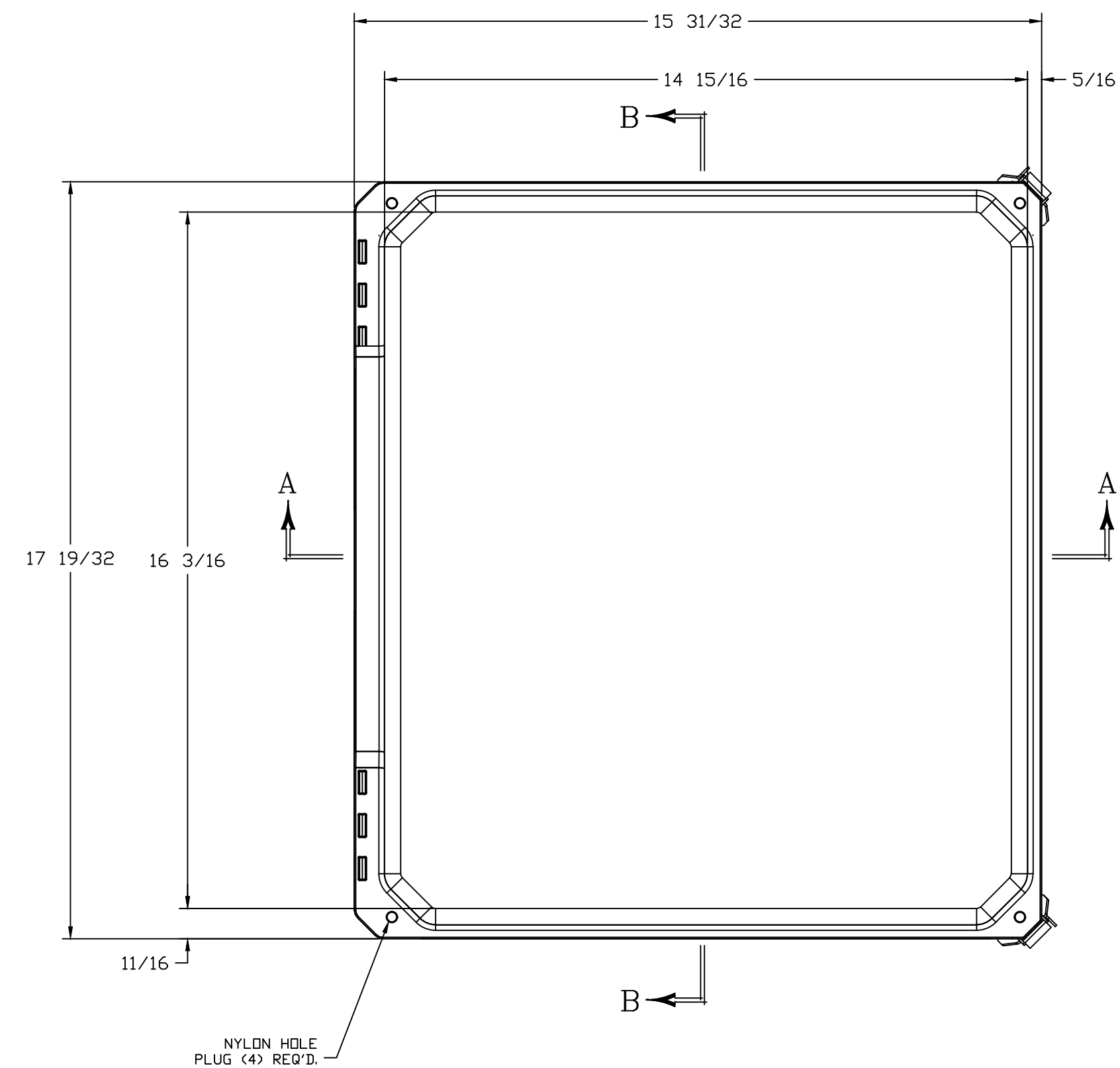
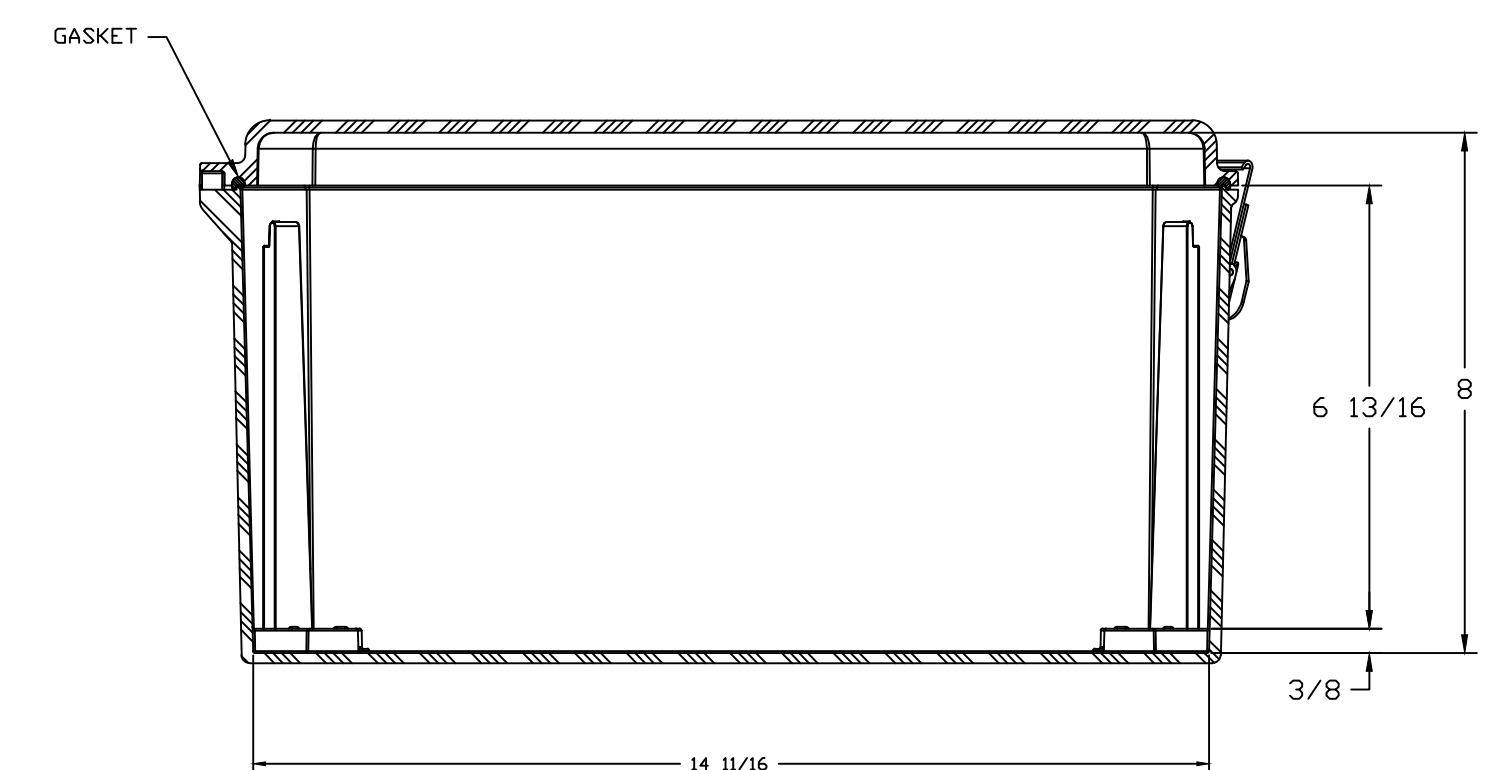
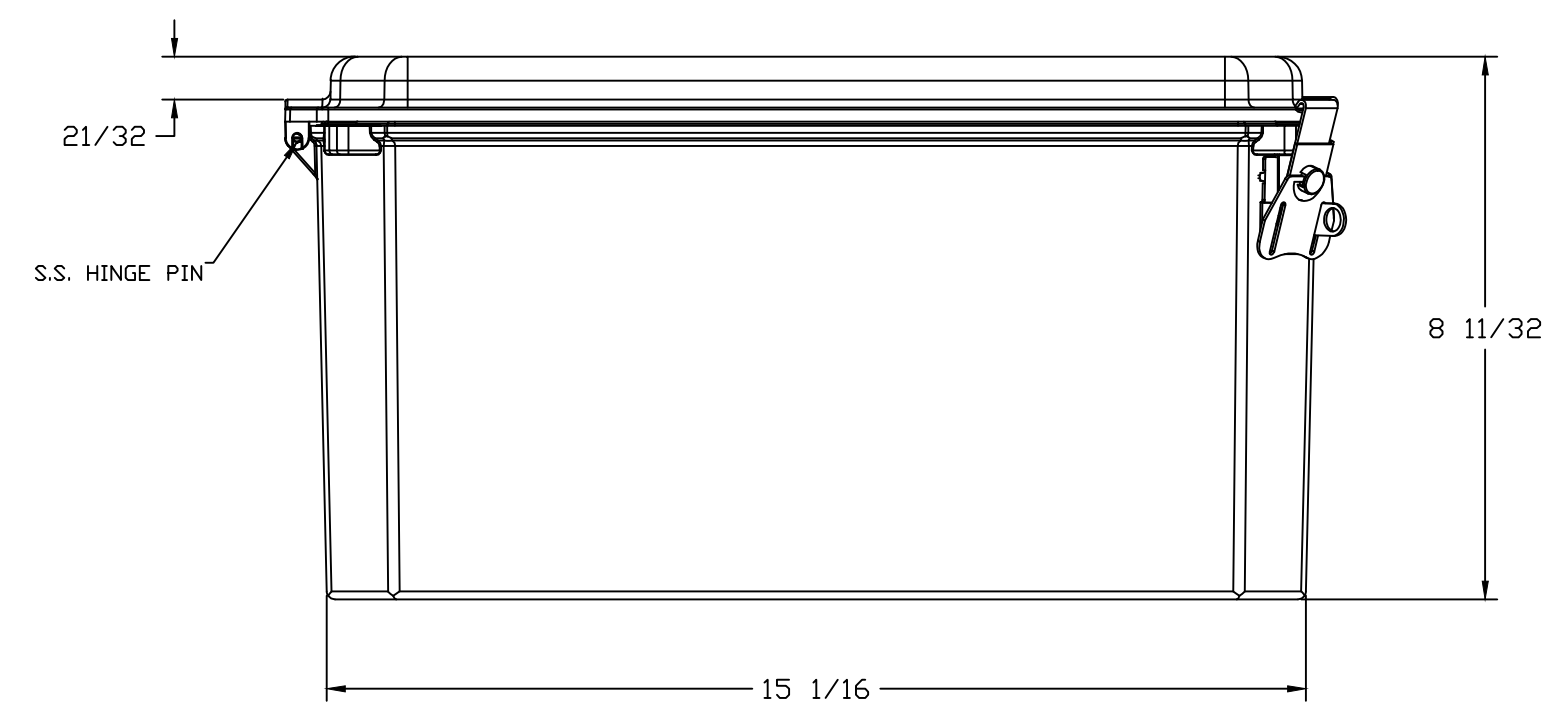


WITH COVER REMOVED



SECTION B-B



SECTION A-A

NOTES:

MATERIAL		NEMA 1, 3, 3S, 4X, 12, 13 IP66		TOLERANCES UNLESS SPECIFIED		DECIMAL ±.010	FRACTIONAL ± 1/32
F.R. POLYESTER FIBERGLASS		COLOR GLACIER GRAY RR1013		DR. BY ZJB		DATE 5/20/03	
LET.	REVISION RECORD	DATE	BY	CHD.	CHK. BY	DATE	
					APD. BY	DATE	
SCALE 1:1		PART NAME ENCLOSURE		PART NO.		AutoCAD DWG. FILE DSCC161408HL	
						DSCC161408HL	

