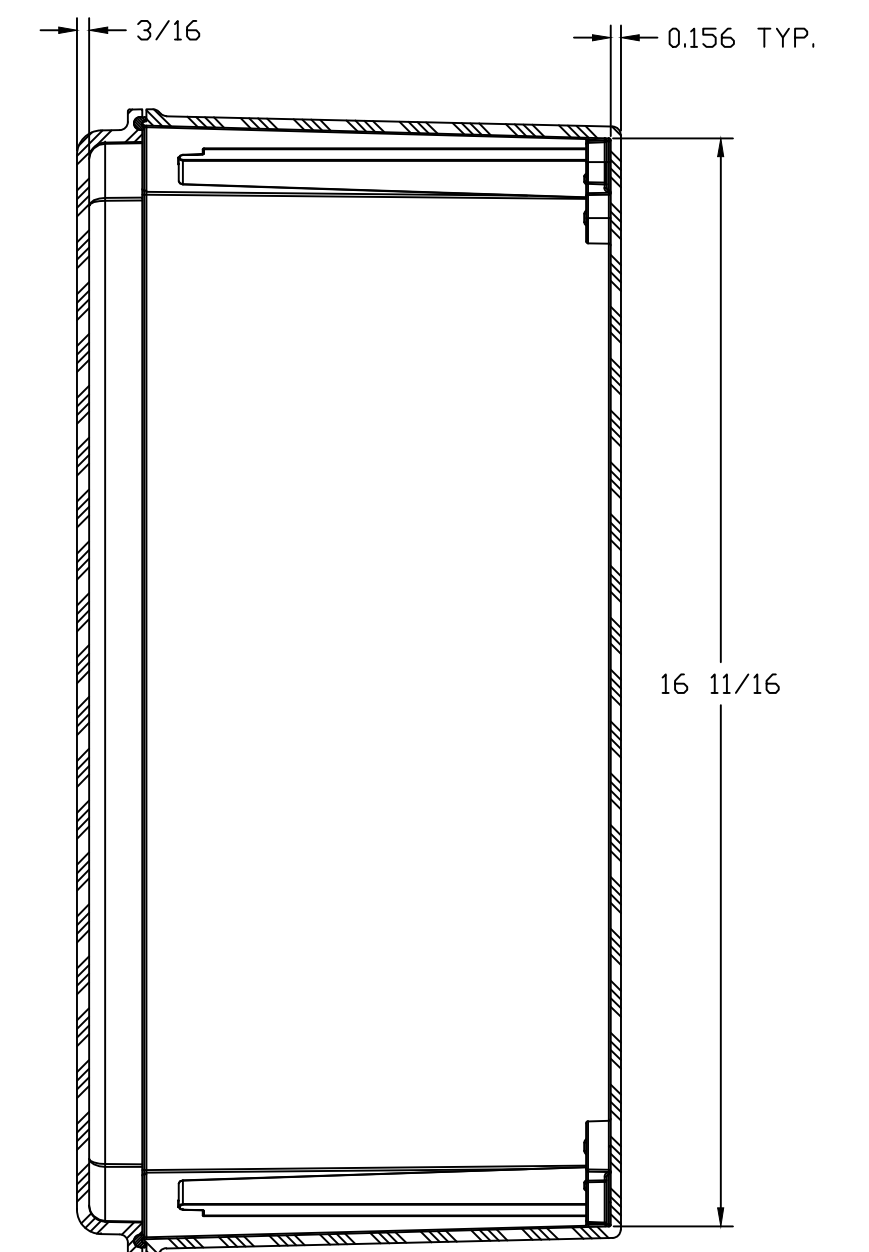
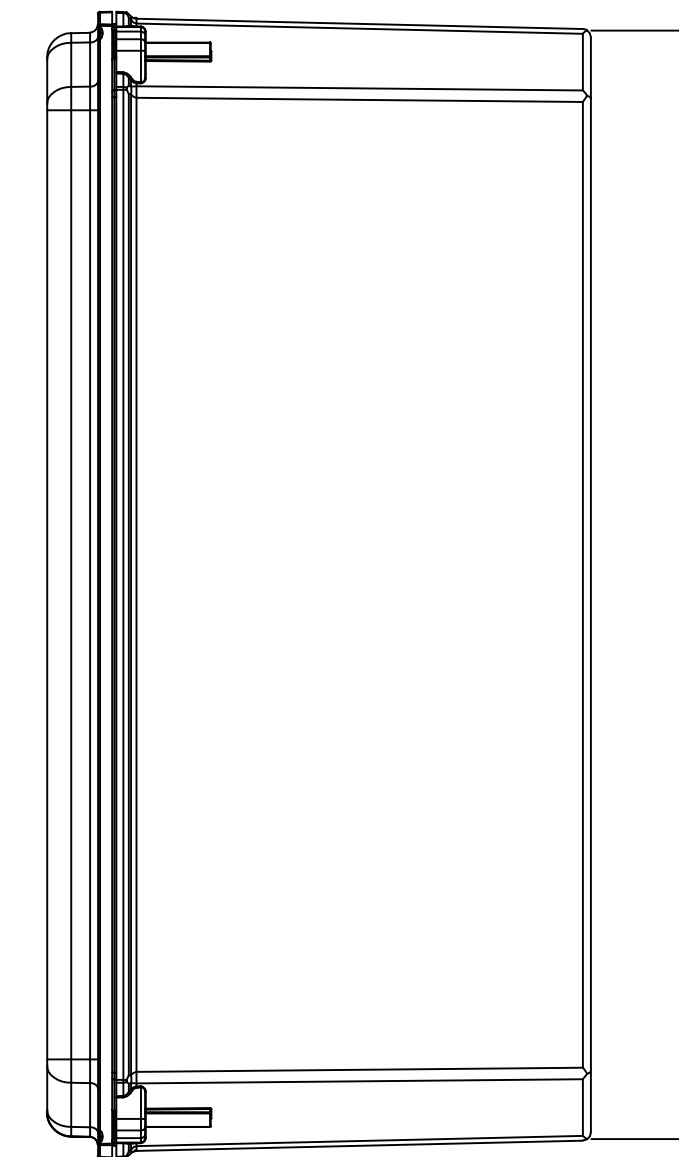
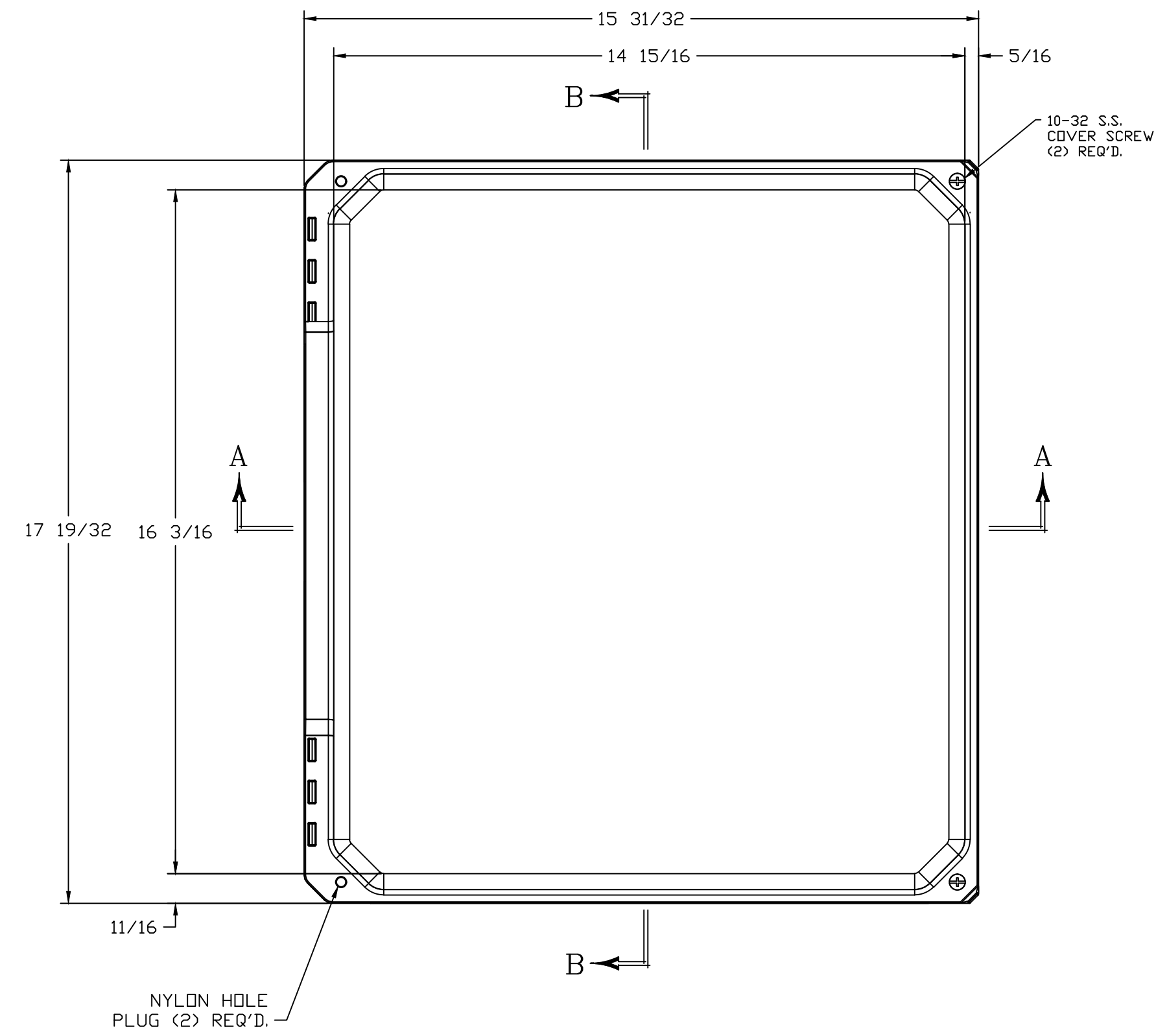
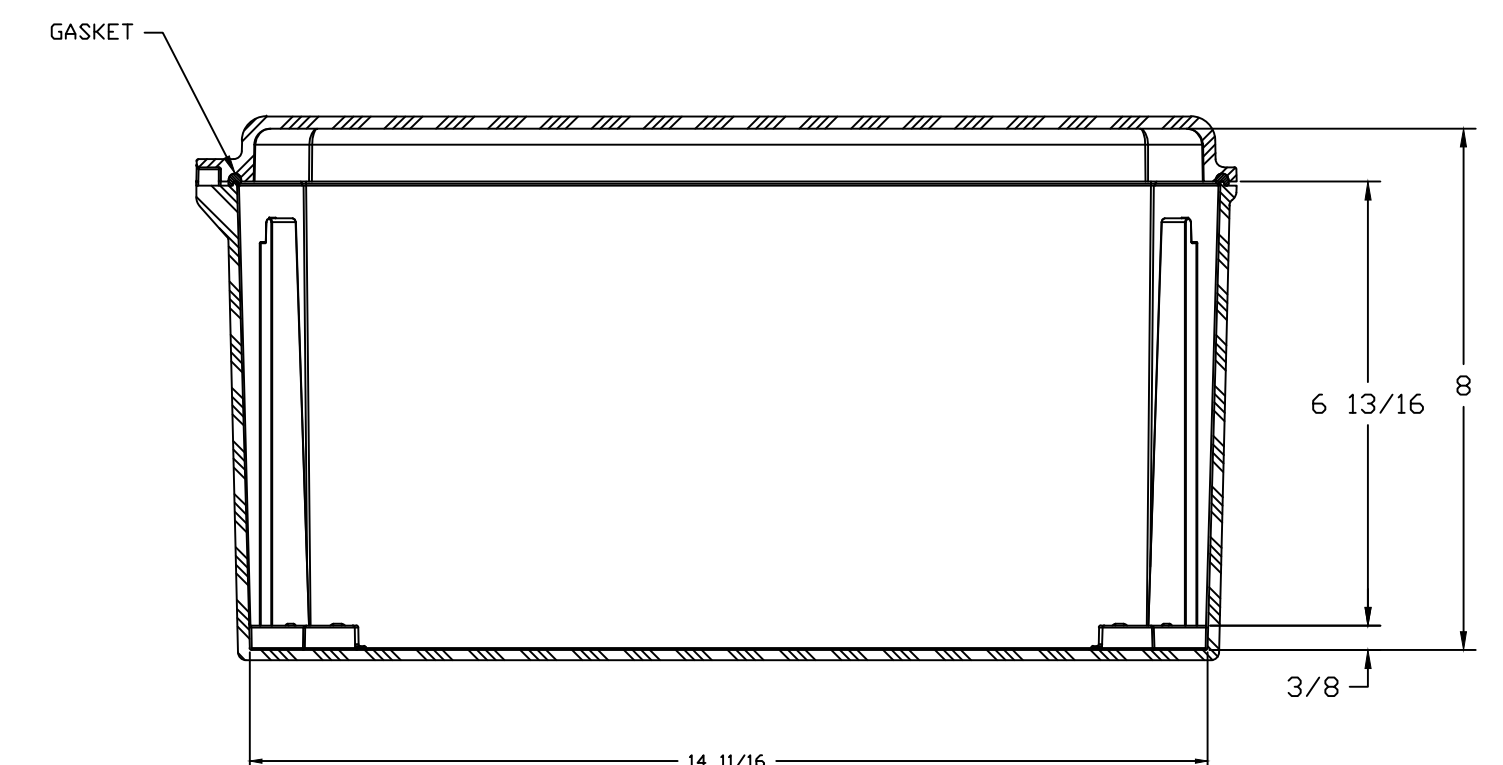
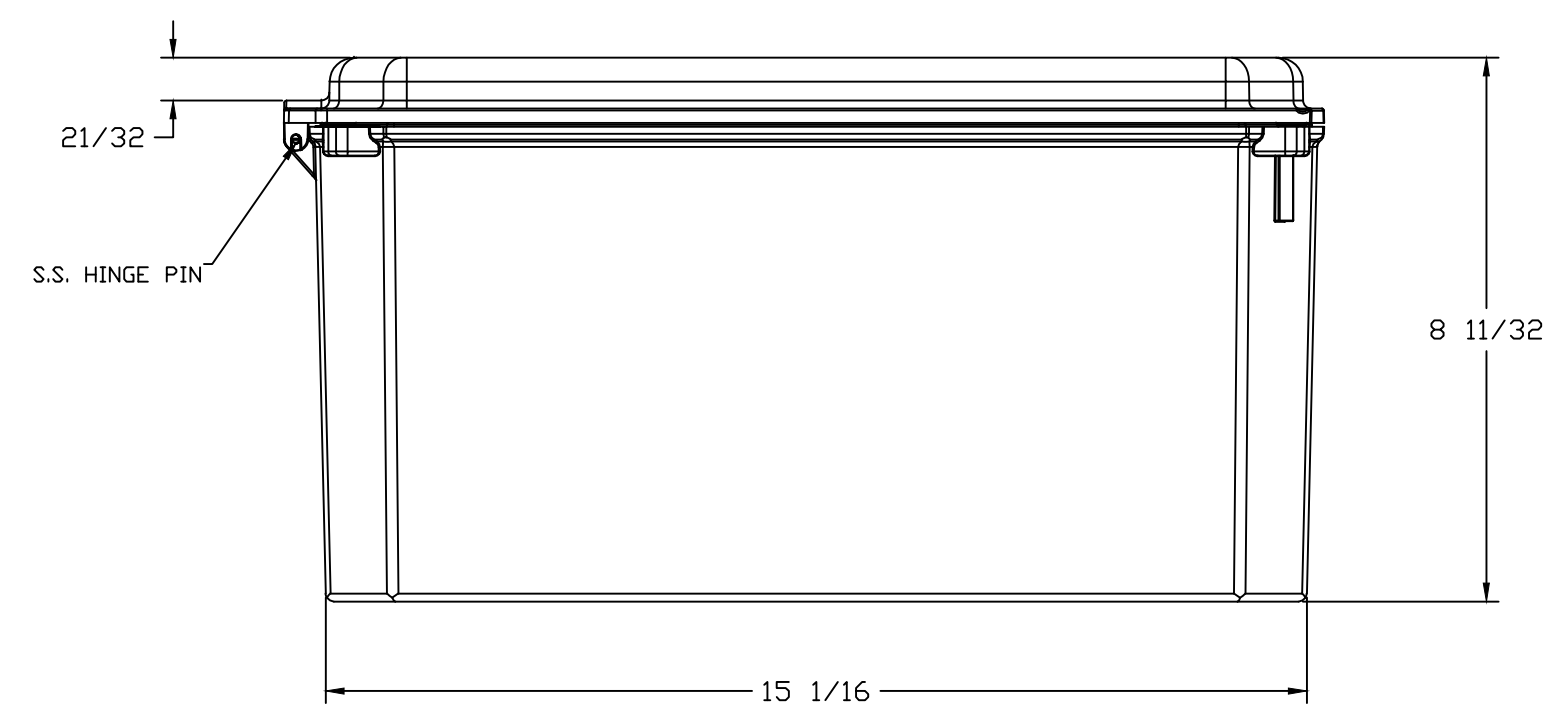



WITH COVER REMOVED



SECTION B-B



SECTION A-A

NEMA 1, 3, 3S, 4X, 12, 13 IP66										TOLERANCES UNLESS SPECIFIED		DECIMAL ±.010	FRACTIONAL ± 1/32		
COLOR GLACIER GRAY RR1013															
MATERIAL F.R. POLYESTER FIBERGLASS										DR. BY ZJB	DATE 5/19/03	 STAHLIN ENCLLOSURES DIVISION OF ROBROY INDUSTRIES		BELDING, MICHIGAN 48809	
LET.	REVISION RECORD	DATE	BY	CHD.	CHK. BY	DATE	APD. BY	DATE	CUSTOMER	AutoCAD DWG. FILE					
										DSCC161408HW					
SCALE 1:1										PART NAME ENCLLOSURE		PART NO. DSCC161408HW			