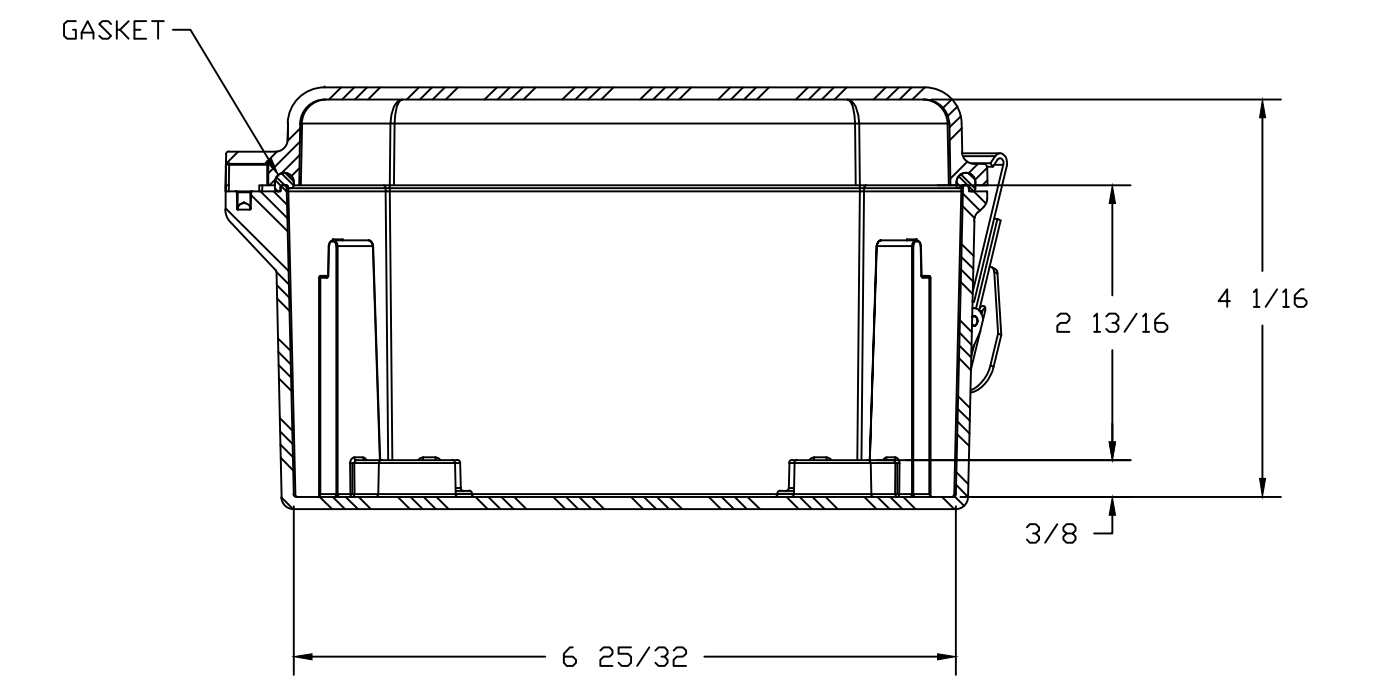
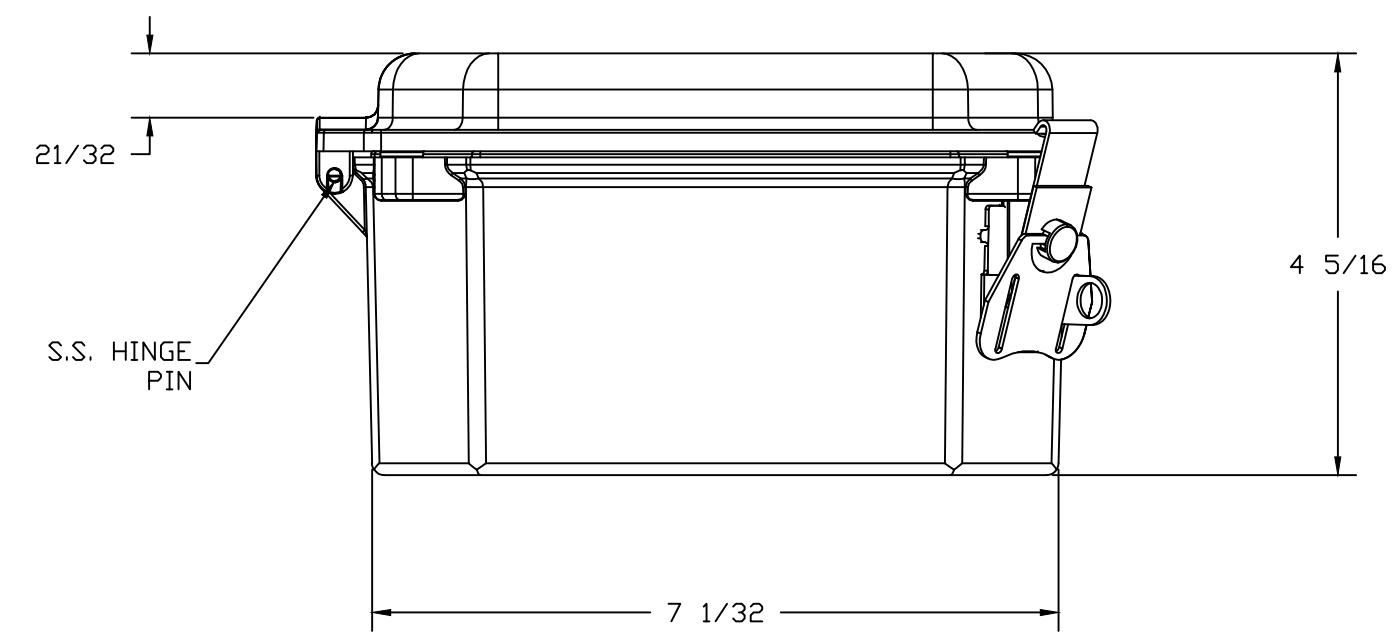
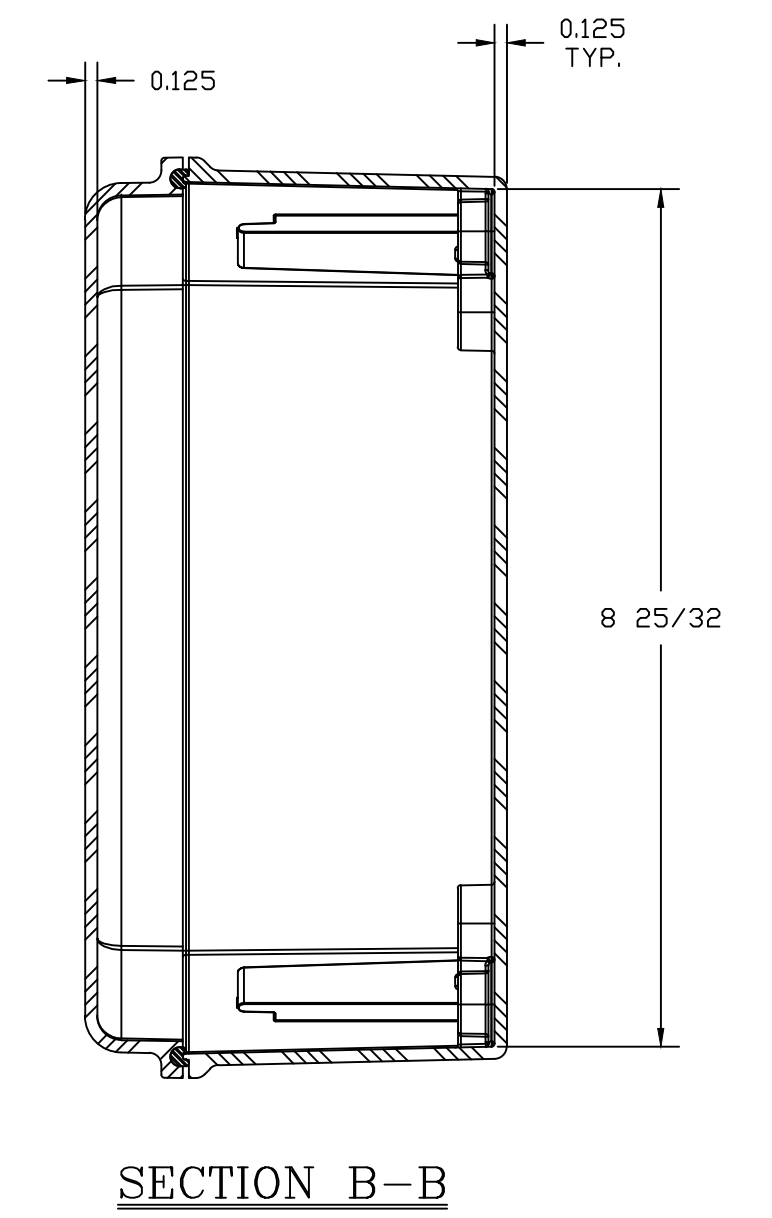
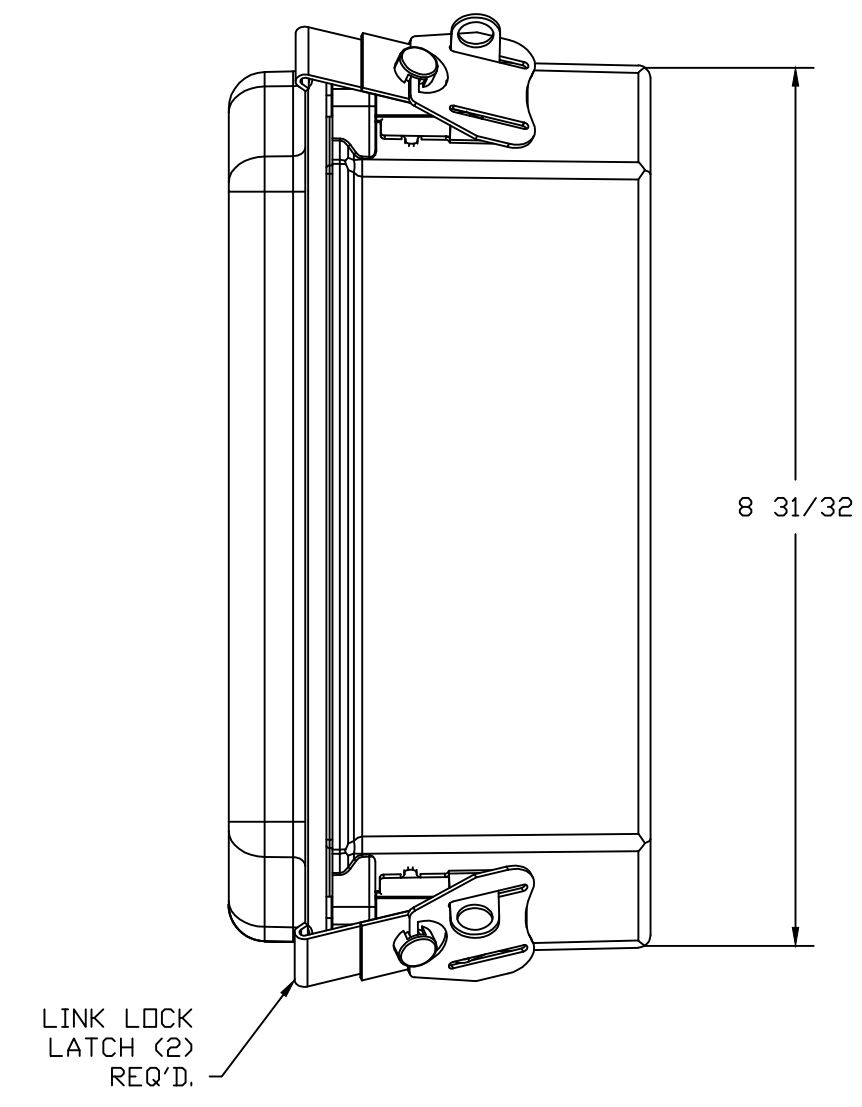
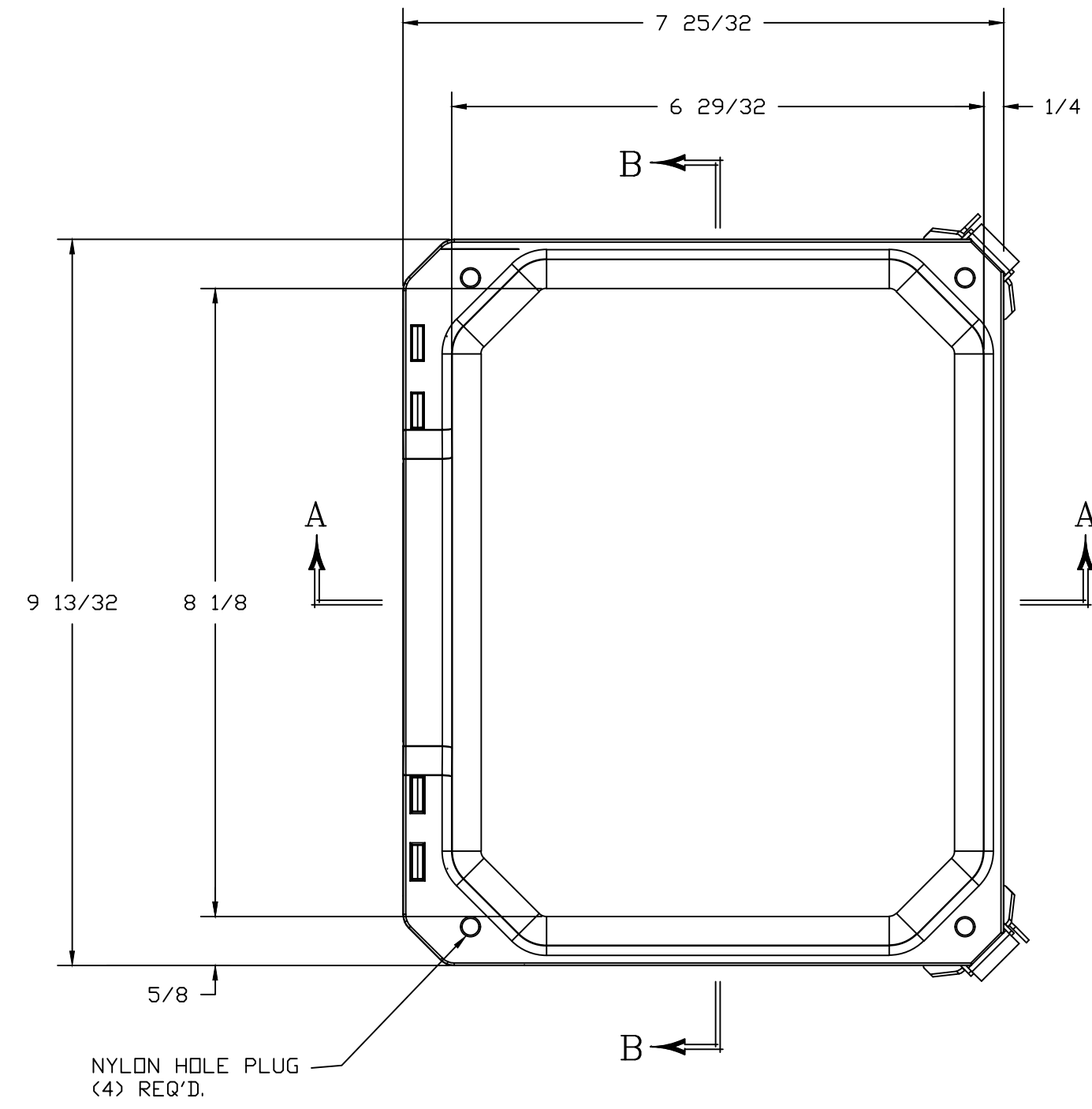


WITH COVER REMOVED



SECTION A-A

NOTES:									
COLOR: GLACIER GRAY RR1013					TOLERANCES UNLESS SPECIFIED		DECIMAL ± .010		FRACTIONAL ± 1/32
NEMA 1, 3, 3S, 4X, 12, 13 IP66									
MATERIAL: F.R. POLYESTER FIBERGLASS					DR. BY: ZJB	DATE: 3/25/03			
REVISION RECORD					CHK. BY:	DATE:			
LET.	REVISION RECORD	DATE	BY	CHD.	APD. BY:	DATE:	CUSTOMER:		AutoCAD DWG. FILE
									DSCC80604HLL
SCALE: DO NOT SCALE					PART NAME: ENCLOSURE		PART NO.:		DSCC80604HLL