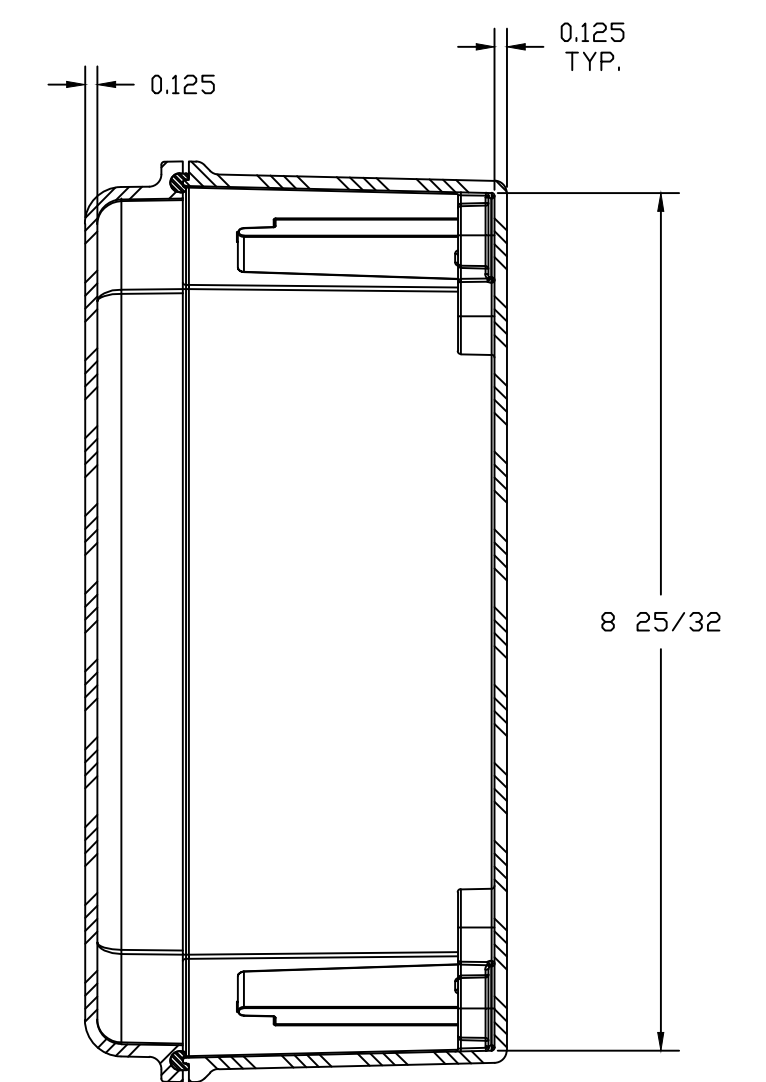
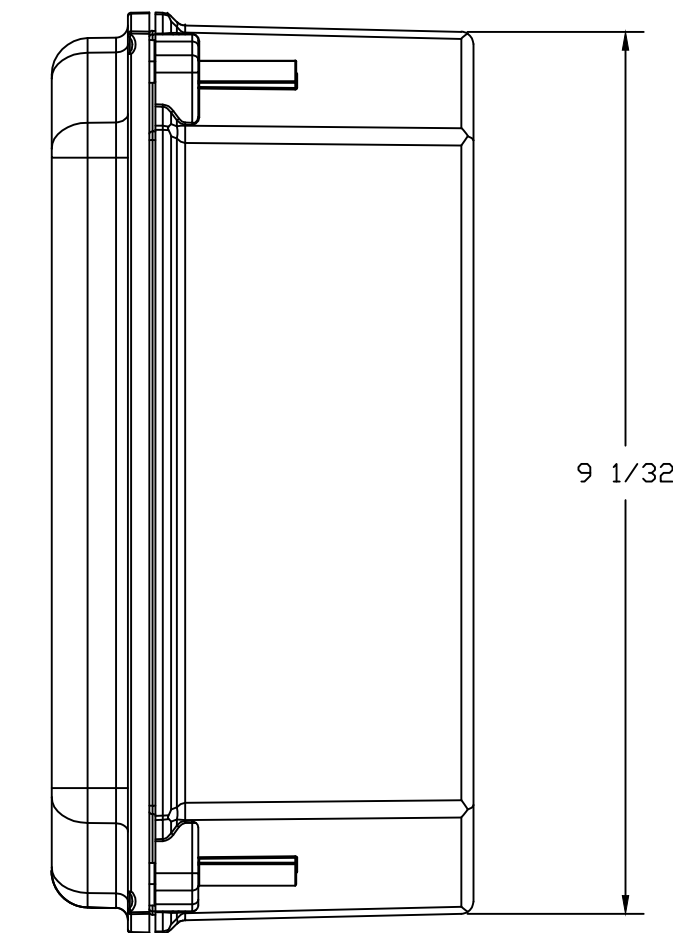
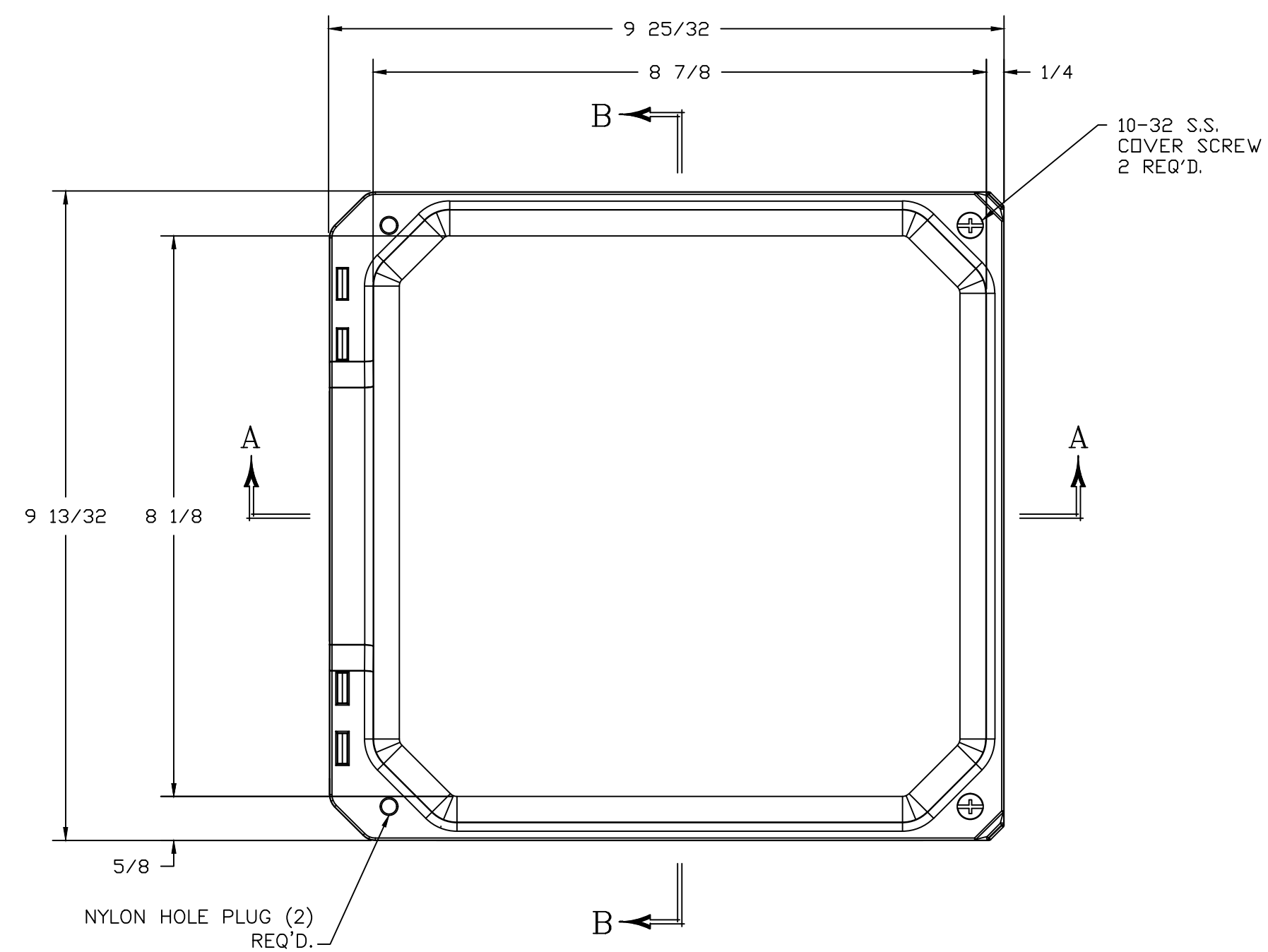
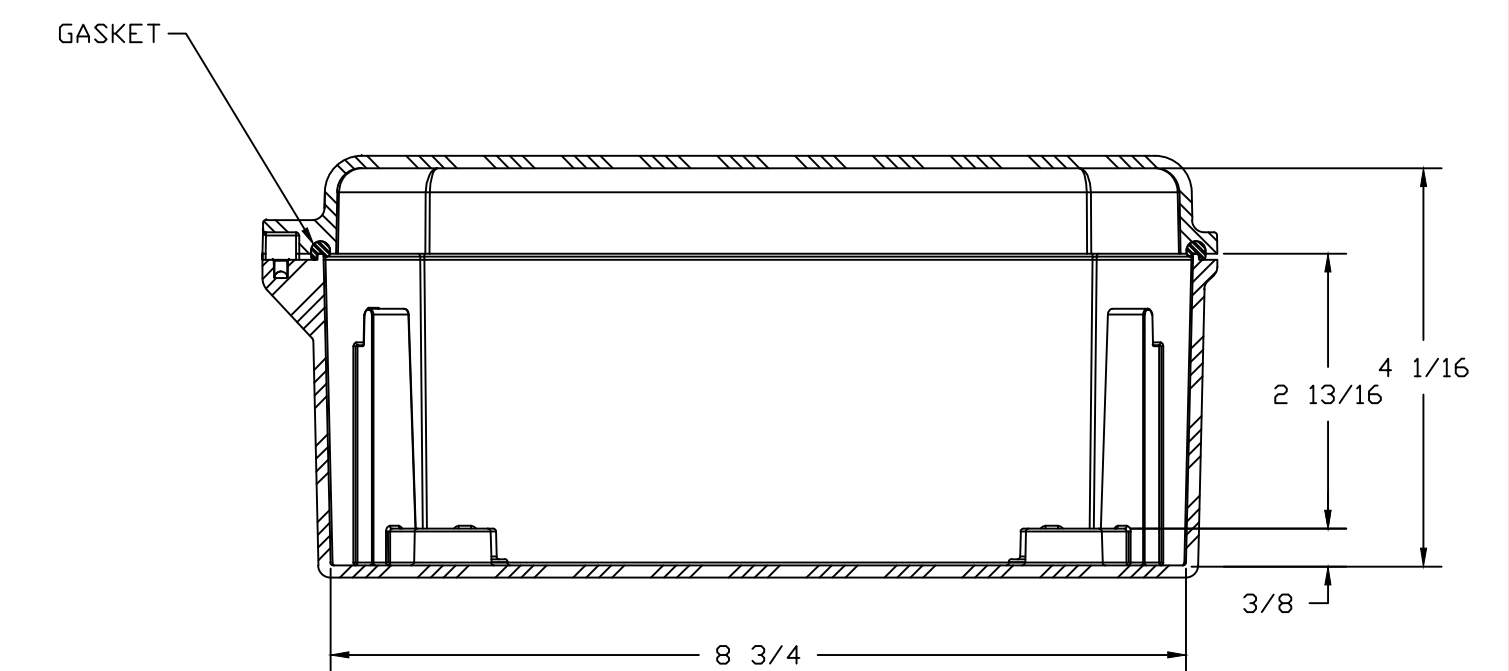
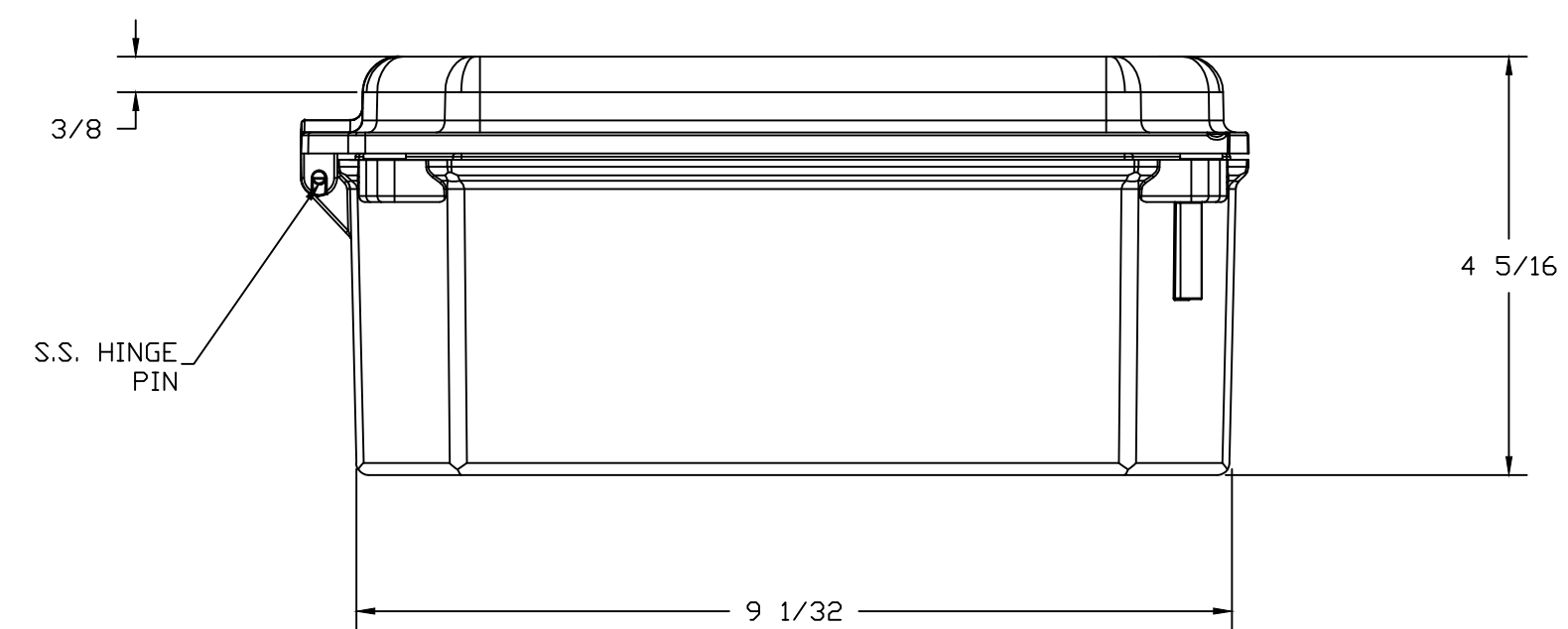


WITH COVER REMOVED



SECTION B-B



SECTION A-A

NOTES:

COLOR: GLACIER GRAY RR1013				TOLERANCES UNLESS SPECIFIED		DECIMAL ± .010	FRACTIONAL ± 1/32
NEMA 1, 3, 3S, 4X, 12, 13 IP66							
MATERIAL F.R. POLYESTER FIBERGLASS				DR. BY ZJB	DATE 3/31/03		
REVISION RECORD				CHK. BY	DATE		
LET.	DATE	BY	CHD.	APD. BY	DATE	CUSTOMER STAHLIN	AUTOCAD DWG. FILE DSCC80804HW
				SCALE DO NOT SCALE	PART NAME ENCLLOSURE	PART NO.	DSCC80804HW

BELDING, MICHIGAN 48809