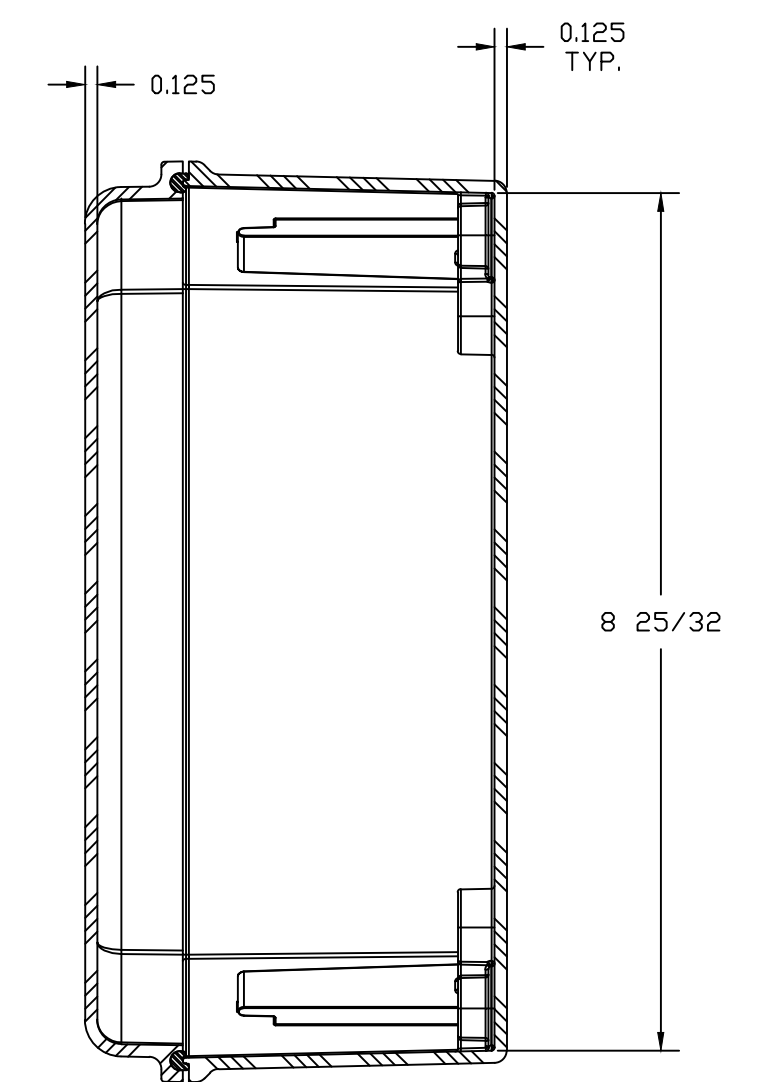
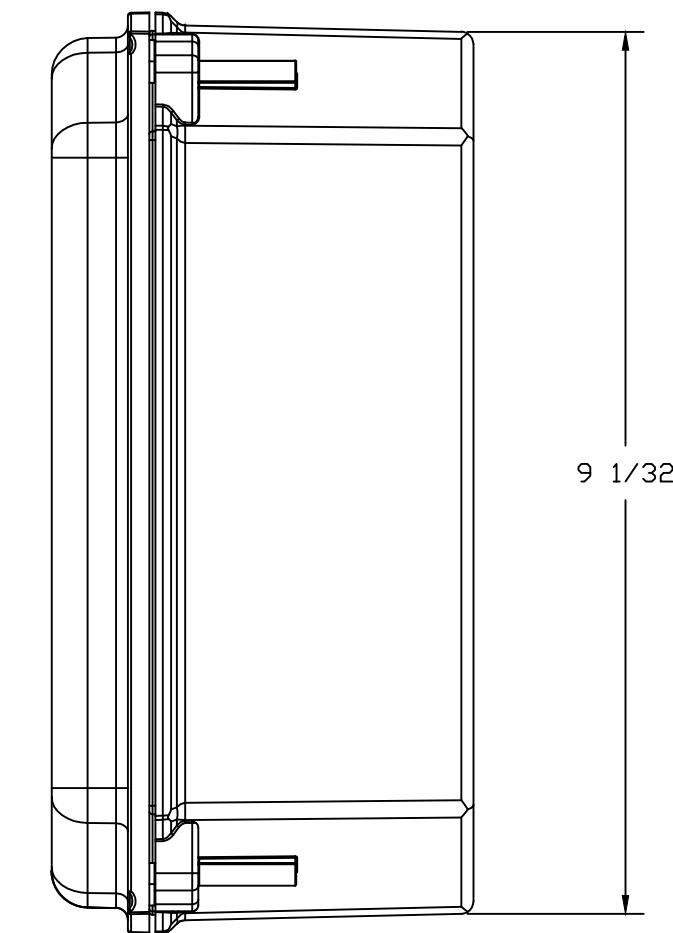
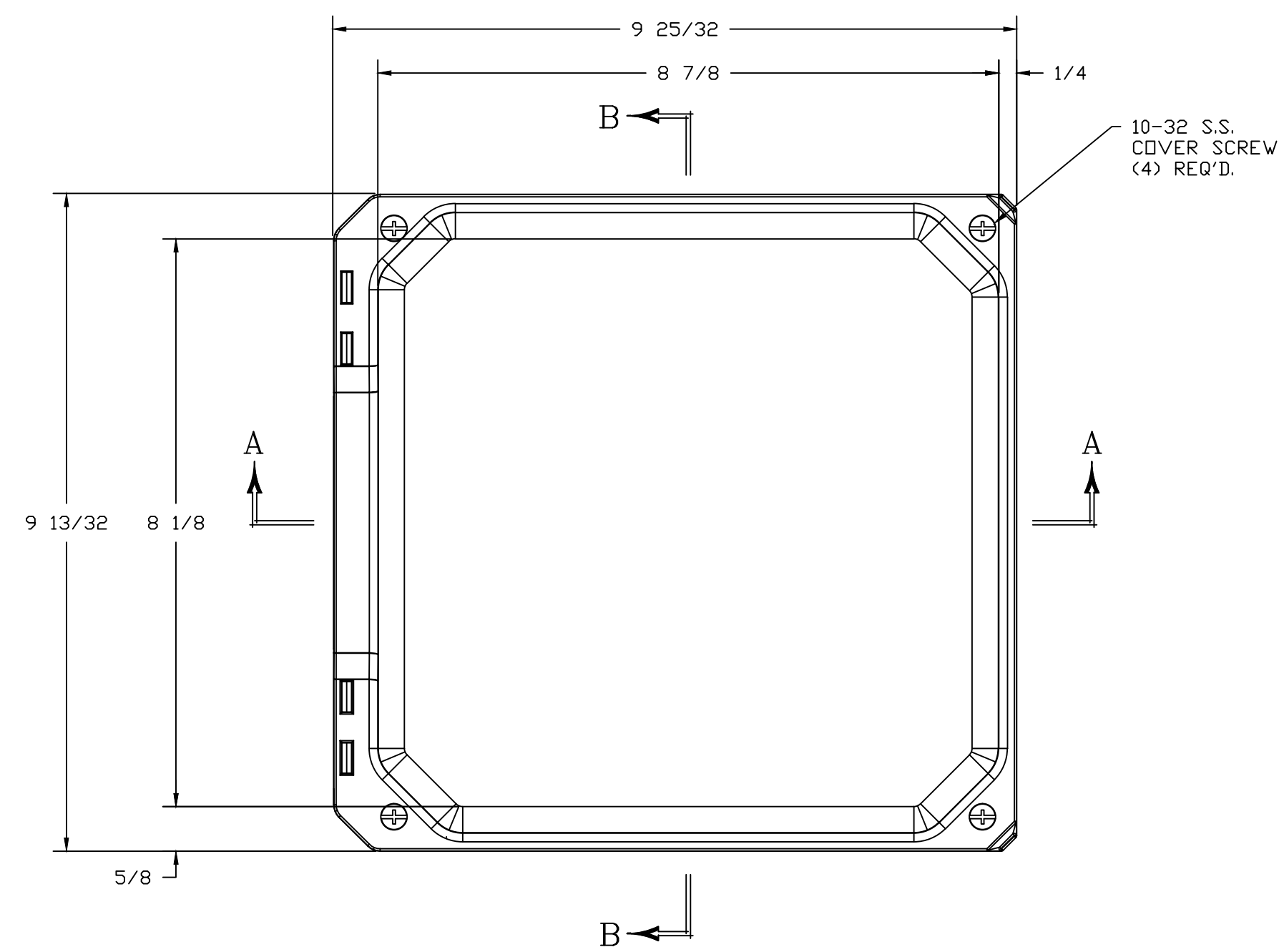
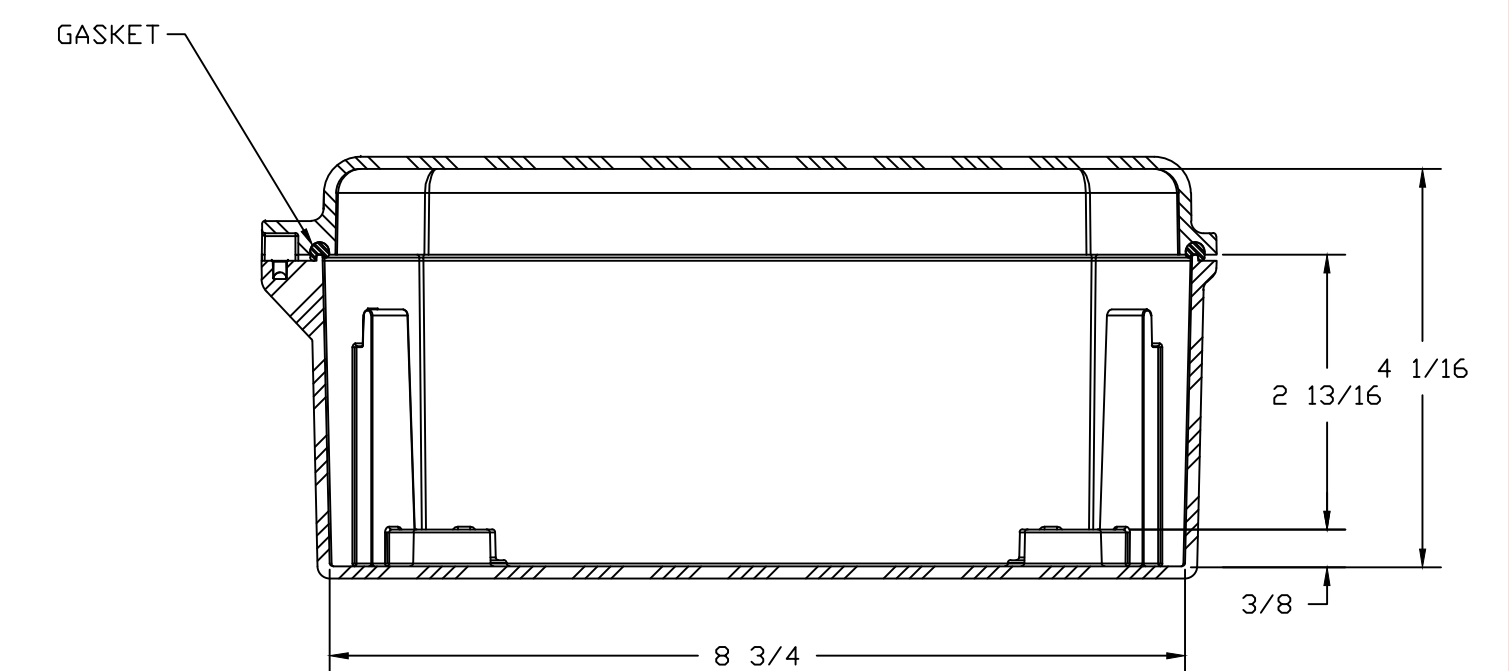
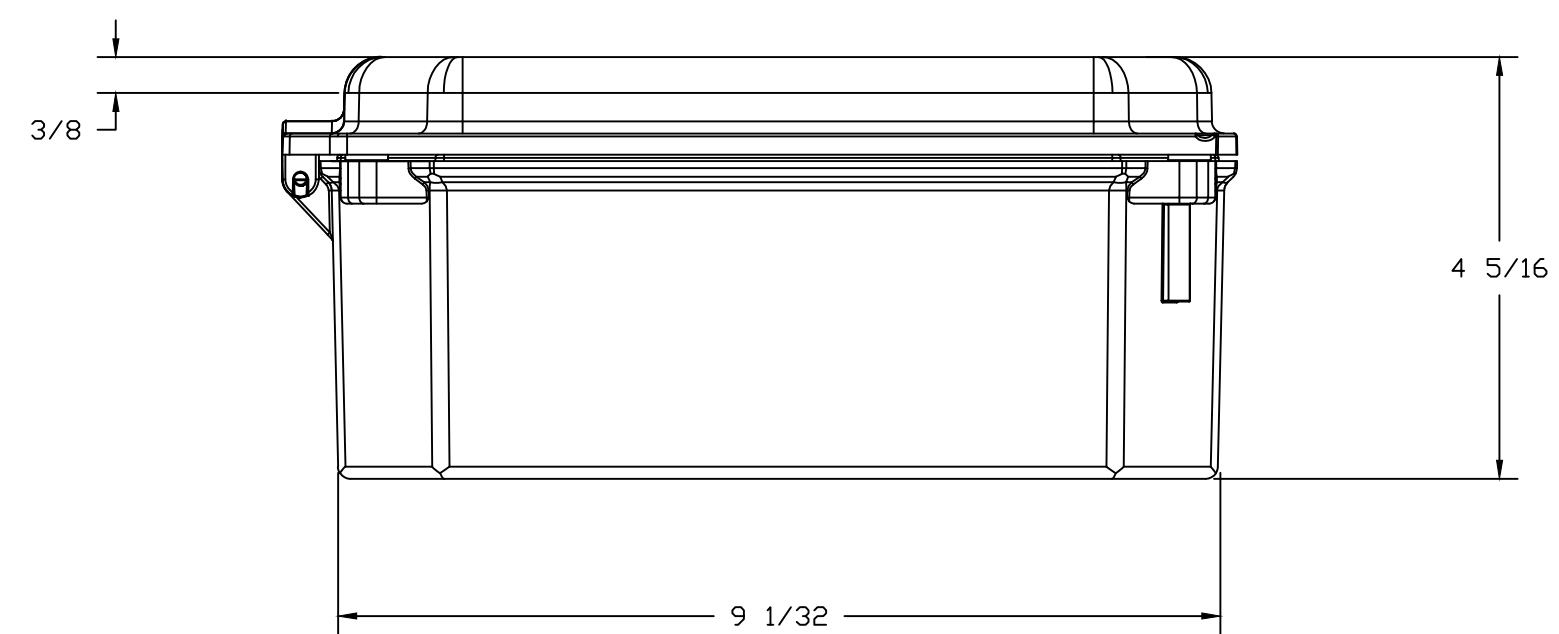


WITH COVER REMOVED




SECTION B-B



SECTION A-A

NOTES:

COLOR: GLACIER GRAY RR1013		TOLERANCES UNLESS SPECIFIED		DECIMAL ± .010	FRACTIONAL ± 1/32
NEMA 1, 3, 3S, 4X, 12, 13 IP66					
MATERIAL F.R. POLYESTER FIBERGLASS		DR. BY ZJB	DATE 3/31/03	 BELDING, MICHIGAN 48809	
LET.	REVISION RECORD	CHK. BY	DATE		
		APD. BY	DATE	CUSTOMER STAHLIN	AutoCAD DWG. FILE DSCC80804W
		SCALE DO NOT SCALE	PART NAME ENCLLOSURE	PART NO.	DSCC80804W