

NEW!

Stahlin® PolyStar® Polycarbonate Enclosures with Mounting Flange

**ROBUST MOUNTING FLANGE SOLUTION OFFERS FLEXIBILITY
AND STRENGTH WHEN INSTALLING POLYCARBONATE ENCLOSURES!**

Designed for OEMs and Installers to provide a robust, flexible mounting solution, flanges are an ideal solution for installations requiring heavy-duty mounting support in harsh environments. The addition of a mounting flange option enhances the most flexible line of polycarbonate enclosures on the market, and they are available to be shipped with Stahlin polycarbonate enclosures or as individual kits.



MARKETS AND APPLICATIONS:

- Commonly used in Industries such as Electrical control, measurement and monitoring, security, oil and gas, manufacturing, and communications.
- Ideal for non-hazardous industrial and commercial OEM applications with enclosures requiring robust mounting support in harsh conditions.

BENEFITS:

1. **Installation Flexibility**– Innovative mounting cross allows for multiple screw placement positions, reducing the need for on-site modification.
2. **Reduced Maintenance**– Robust, innovative water-shedding design reduces maintenance and keeps equipment secured and protected when installed in harsh environments.
3. **Ease of Ordering and Receiving**– Available included with our Polycarbonate Enclosures or as a stand-alone accessory; they are part of our SelectRight program of standard products available through our catalog.



INNOVATIVE FEATURES:


- Lightweight, high-impact rated, UV-resistant polycarbonate material construction
- Available in 6 sizes designed for use with our polycarbonate enclosure sizes from 6" x 6" to 20" x 16"
- Can be ordered included with our Polycarbonate Enclosures or as individual kits (Ordering table on reverse side)
- Innovative water-shedding design
- Standard kits included with our enclosures are designed to fit the enclosure short side. Individual kits can be ordered when long side mounting is required
- Corrosion resistant hardware included
- Simple and easy installation with the use of common tools. Simply install, position, and secure mounting flanges (2) on the enclosure using the provided hardware in only a few easy steps! (Installation instructions provided)
- 24" x 24" enclosure available with molded-in mounting flange – individual flange kit not needed for this size



MATERIALS:

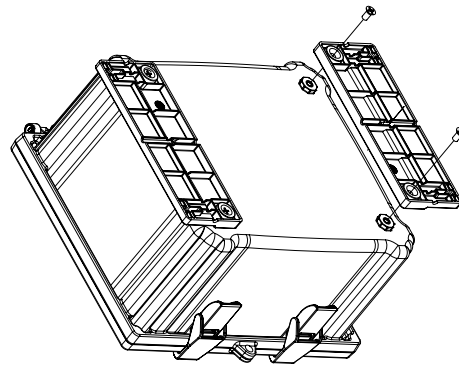
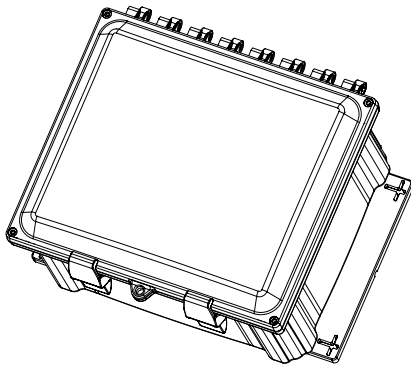
- Flange: Polycarbonate with UV inhibitors
- Hardware: Stainless Steel

RATINGS AND LISTINGS:

-  per file #E319779 Type 1, 3R, 4, 4X, 6P*, 12
- UL50, UL50e, UL508A
- IEC 60529: UL Listed per file #E362920 IP66, IP68*
- Certifications: cULus, CE, REACH, and RoHS

*Restrictions apply. Consult factory for more information.

CATALOG NUMBERS AND DIMENSIONS:



Enclosure with Polycarbonate Latches and Mounting Flange

(included as an uninstalled kit shipped with the enclosure)

SIZE	OPAQUE COVER PART #	CLEAR COVER PART #
6 x 6 x 4	PCF606	PCF606CC
8 x 6 x 4	PCF806	PCF806CC
8 x 8 x 4	PCF808	PCF808CC
10 x 8 x 4	PCF1008	PCF1008CC
10 x 8 x 6	PCF100806	PCF100806CC
10 x 10 x 6	PCF1010	PCF1010CC
12 x 10 x 6	PCF1210	PCF12010CC
14 x 12 x 6	PCF1412	PCF1412CC
16 x 14 x 8	PCF1614	PC1614CC
18 x 16 x 10	PCF1816	PCF1816CC
20 x 16 x 8	PCF2016	PCF2016CC
24 x 24 x 10	PC2424*	PC2424CC*

Mounting Flange Kits

Kit includes mounting flange that fits size indicated, plus mounting hardware for installing the flange to the enclosure.

PART #	FITS
MFK6	6"
MFK8	8"
MFK10	10"
MFK12	12"
MFK14	14"
MFK16	16"

*Flange is molded onto enclosure rather than shipped as unassembled kit.



500 Maple Street, Belding, MI 48809
E: CSR@robroyenclosures.com P: 616.794.0700