

Accessories **Environmental Management**

Non-Metallic UL Type 4X Drain Vent



**Catalog
Number**

REDV4XKIT

UPC

785928800207

DESCRIPTION

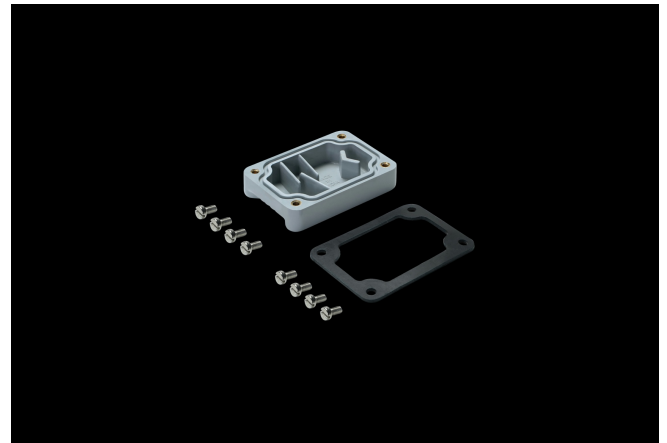
Non-Metallic Drain Vent reliably protects electrical equipment housed inside an enclosure by properly draining unwanted moisture or accumulated water from within, while maintaining UL Type 4X enclosure integrity as a recognized component.

APPLICATION

- Vent used with enclosures which house electrical and electronic controls; instruments; and components
- Used with enclosures indoors or outdoors
- Suited for harsh industrial or commercial applications

FEATURES

- Non-metallic Drain Vent reliably protects electrical equipment housed inside an enclosure by properly draining unwanted moisture or accumulated water from within; while maintaining UL Type 4X enclosure integrity as a recognized component.



General Information

Color	Gray
Material	Fiberglass
Gasket Material	EPDM Rubber
Country of Origin	India

STANDARDS

NEMA 10250; UL 50; UL 50e; UL508A	cULus Recognized File #E64358
CSA Std. C22.2	File LR069014
Type	4X
Temperature Range °F	-26°F to +257°F
Temperature Range °C	-32°C to +125°C
Flammability Rating	UL94-V0
Outdoor Exposure UL746c	(f1) Rated