

# POLE MOUNT KIT EXPANSION

**STAHLIN**  
A ROBROY Brand

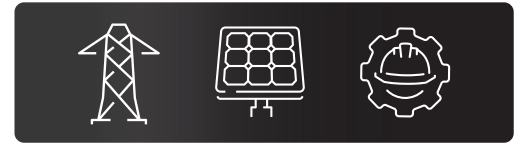
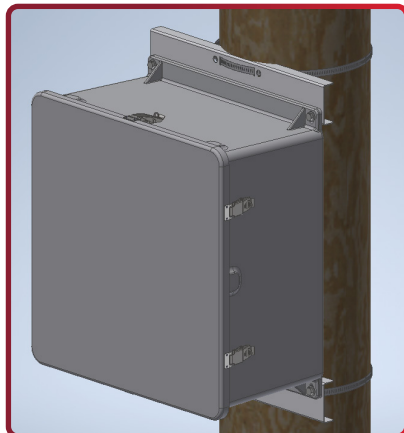
## MOUNTING ENCLOSURES JUST GOT EASIER!

Stahlin®'s pole mount kits have a flexible, adjustable mounting strap and fit the enclosure dimension that is mounted perpendicularly to the pole. The kits come with corrosion-resistant top and bottom flanges, straps, and mounting hardware.



◀ Pre-fabricated pole mount solution with fully adjustable, hassle-free installation!

**NEW!** ▶  
Heavy duty J-Series mounting brackets for sizes 18"-24" in carbon steel and aluminum!



## MARKETS AND INDUSTRIES

- + Industrial and commercial applications
- + Common installations including communications, remote monitoring, and security

## MATERIALS

- + Top and Bottom Flanges: Powder-coated carbon steel (new aluminum option available in PMJ18-24AL size only)
- + Hardware (Clamps, Screws, Washers, Nuts): Stainless Steel

## APPLICATIONS

- + Designed for use with our most popular fiberglass and polycarbonate product families, including J Series, Diamond Shield®, Classic, and PolyStar®, these kits accommodate a variety of pole materials and applications.
- + Manufactured with corrosion-resistant brackets and hardware, they are ideal for contractors and installers when mounting enclosures in pole- or post-mount applications.

## INNOVATIVE FEATURES

- + Completely eliminates the need for customer fabrication of mounting solutions
- + Simple, hassle-free installation
- + Accommodates a variety of pole materials and applications
- + Adjustable stainless-steel straps fit 5"–12" diameter poles
- + Designed to fit the enclosure dimension that is mounted perpendicularly to the pole\*
- + Suitable for indoor or outdoor use
- + Manufactured with corrosion-resistant brackets and hardware
- + Brackets are configured with added holes designed to accept standard 2-1/2" and 4" U-Bolts (customer provided)
- + Updated heavy-duty J-Series mounting brackets sizes 18"–24" available in carbon steel and aluminum!

*\*Consult factory for additional mounting options.*

# ORDERING INFORMATION

## Pole Mount Bracket Fit Guide

### Enclosure Catalog Numbers

	PM6-8	PM10-12	PM14-16	PM18-24	PMJ6-8	PMJ10-12	PMJ14-16	PMJ18-24 PMJ18-24AL	PMD6-8	PMD10-12	PMD14-16	PMC-7	PMC9-11	PMC-13
PC606	•													
PC806	•													
PC808	•													
PC1008	•													
PC1010		•												
PC1210		•												
PC1412		•												
PC1614			•											
PC1816			•											
PC181604			•											
PC2016			•											
PC2424				•										
J604					•									
J606					•									
J806					•									
J808					•									
J1008					•									
J100806					•									
J1210						•								
J1212						•								
J1412						•								
J1614							•							
J1816							•							
J2016							•							
J2020								•						
J2420								•						
DS60604									•					
DS80606									•					
DS80804									•					
DS100806									•					
DS121006										•				
DS141206										•				
DS141208										•				
DS161408											•			
DS181610											•			
DS201610											•			
CL707												•		
CL904												•		
CL1109													•	
CL1311													•	
CL1513														•

