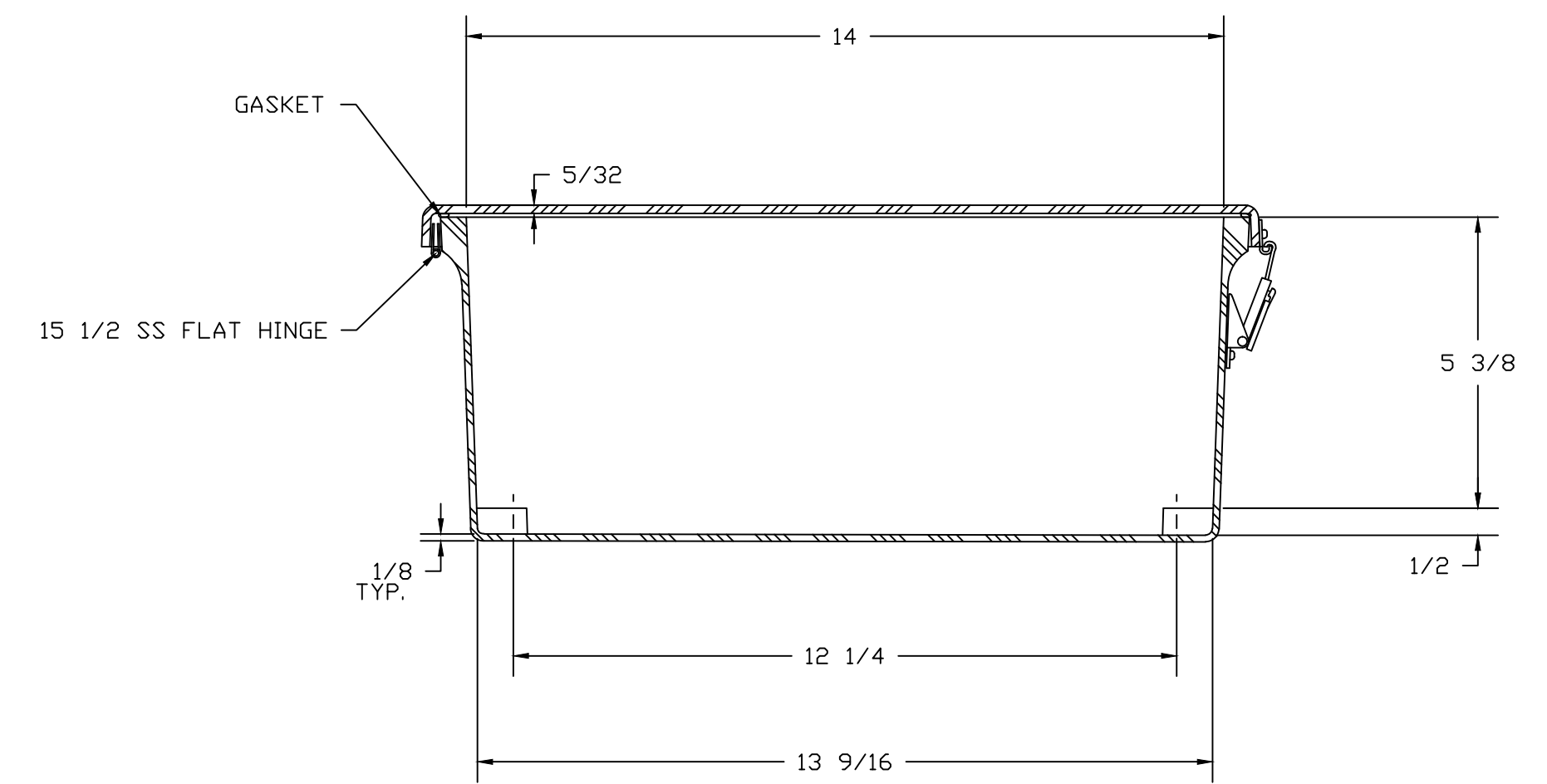
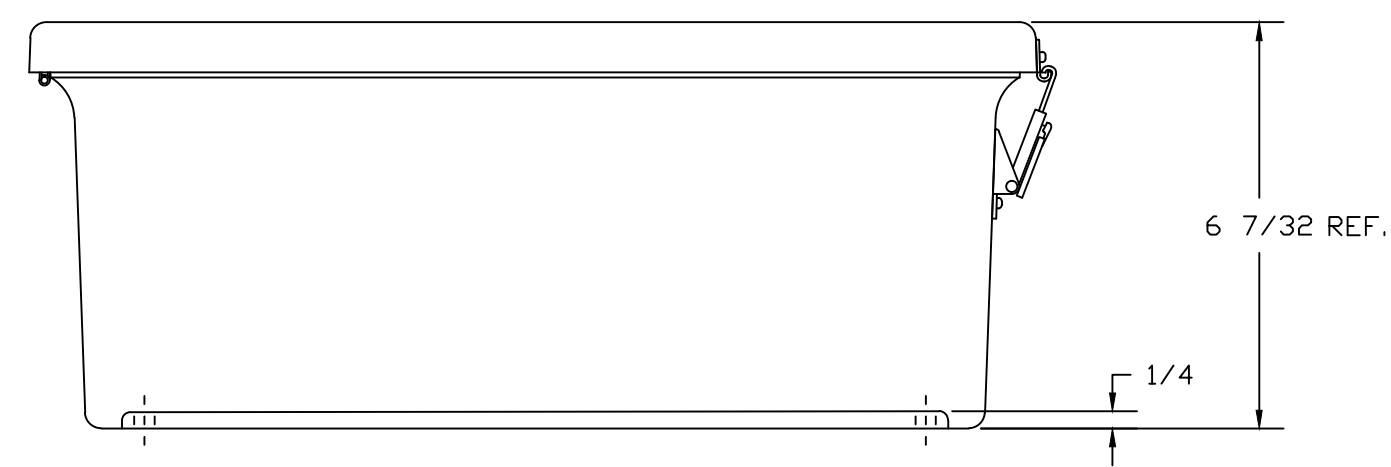



SECTION B-B



SECTION A-A

NOTES:

NEMA 4X		TOLERANCES UNLESS SPECIFIED		DECIMAL ±.010	FRACTIONAL ± 1/32
MATERIAL		DR. BY	DATE	 STAHLIN ENCLOSURES DIVISION OF ROBROY INDUSTRIES	
COLDR GLACIER GRAY RR1013		SH	6/14/91		
F.R. POLYESTER FIBERGLASS		CHK. BY	DATE	BELDING, MICHIGAN 48809	
LET.	REVISION RECORD	DATE	BY	CHD.	APD. BY
					DATE
					CUSTOMER
					AutoCAD DWG. FILE
					J1614HLL
					SCALE
					DO NOT SCALE
					PART NAME
					ENCLOSURE
					PART NO.
					J1614HLL