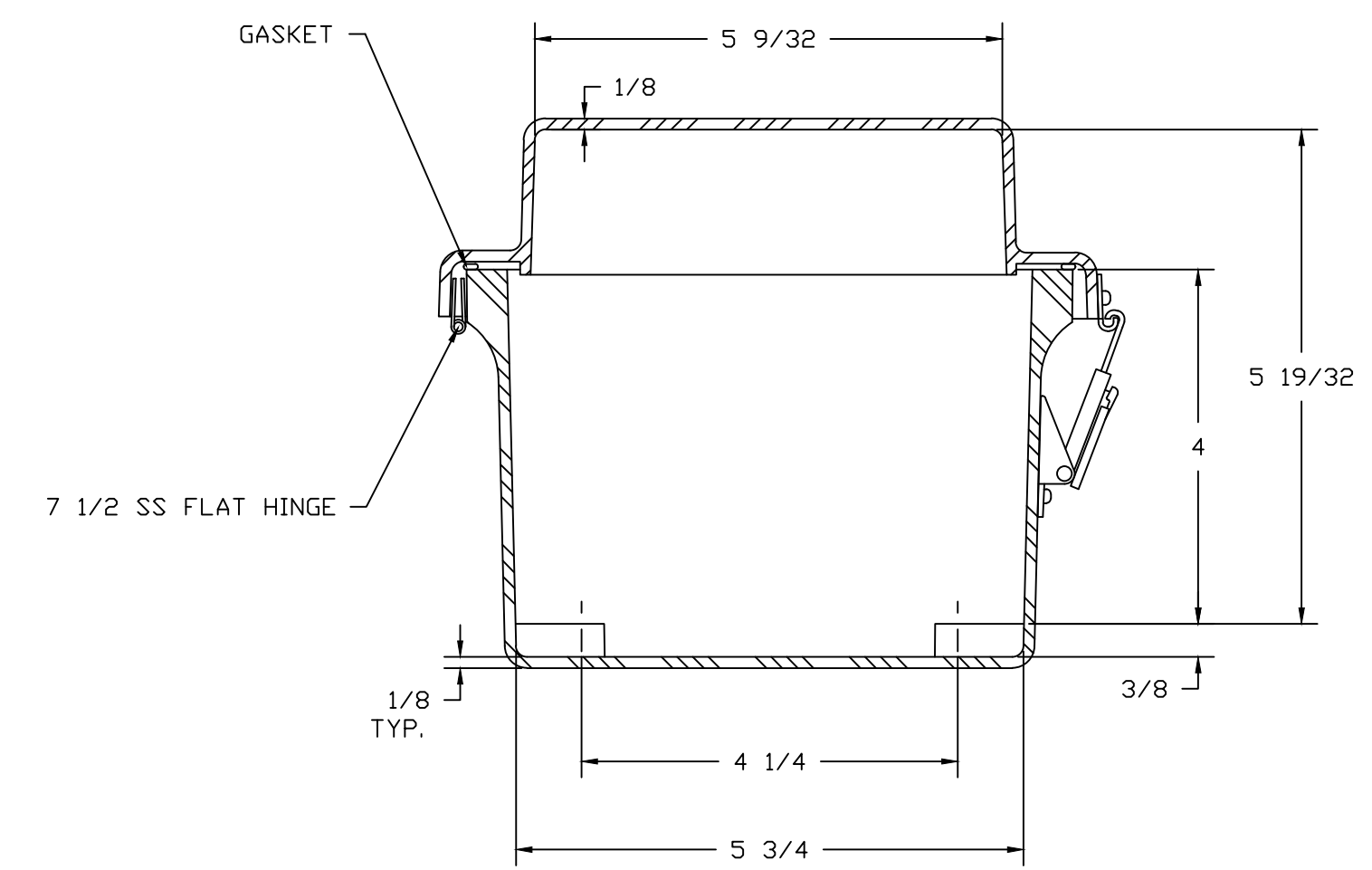
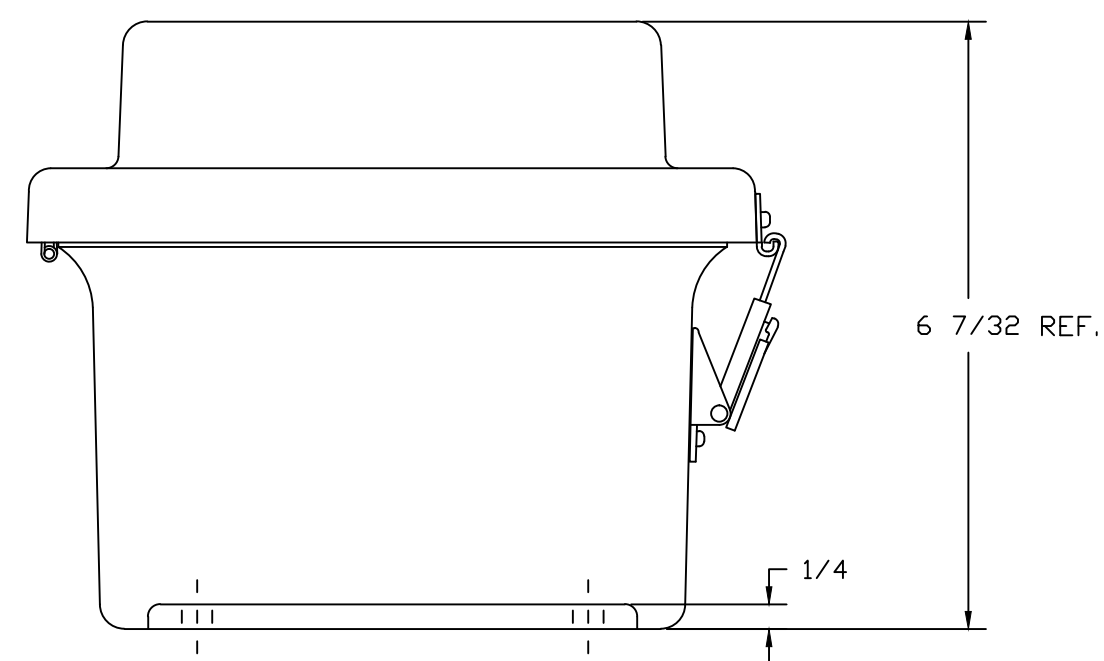


SECTION B-B



SECTION A-A

NOTES:

NEMA 4X		TOLERANCES UNLESS SPECIFIED		DECIMAL ± .010	FRACTIONAL ± 1/32
COLOR GLACIER GRAY RR1013					
MATERIAL	F.R. POLYESTER FIBERGLASS	DR. BY	SH	DATE	7/8/91
LET.	REVISION RECORD	DATE	BY	CHK. BY	DATE
				APD. BY	DATE
		SCALE		PART NAME	
		DO NOT SCALE		ENCLOSURE	
		PART NO.		RJ806HLL	
		CUSTOMER		AutoCAD DWG. FILE	
		STAHLIN ENCLOSURES		RJ806HLL	
		DIVISION OF ROBOID INDUSTRIES		BELDING, MICHIGAN 48809	