

Another **RIGHT IDEA** from Stahlin Non-Metallic Enclosures

The New Stahlin Drain Vent Protects Equipment from Moisture and Water Accumulation!

DRAIN VENT

WATER TIGHT

The only available non-metallic
Drain Vent carrying a
UL type 4x rating!

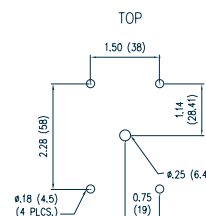
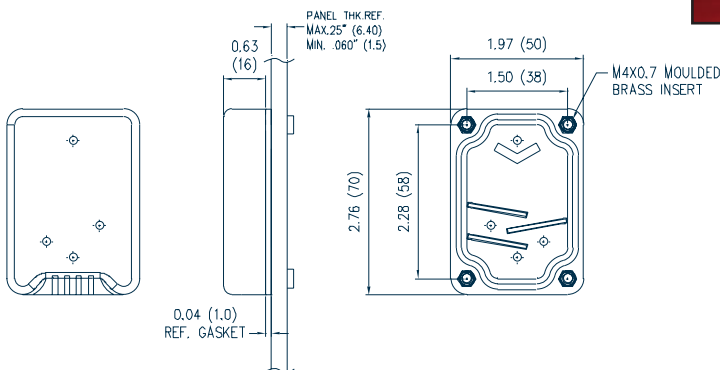
Stahlin's new non-metallic
Drain Vent reliably protects
electrical equipment housed
inside an enclosure by properly
draining unwanted moisture or
accumulated water from within.

Because moisture or water
can exist within an enclosure
via connected conduit systems
or due to condensation from
warm equipment within a closed
environment, Stahlin developed
its Drain Vent as a path for
moisture to escape resulting
in dependable protection of
equipment housed inside
enclosures.

A significant benefit of the
new Stahlin Drain Vent, unwanted
condensation and moisture can
be removed while still maintain-
ing UL type 4x enclosure integri-
ty as a recognized component.



Stahlin Drain Vent, part number:
DV4XKIT, UPC code 80020, installed
on a non-metallic enclosure



www.stahlin.com

**RIGHT PRODUCT
RIGHT PRICE
RIGHT NOW**

Enclose Yours



500 Maple Street
Belding, Michigan 48809

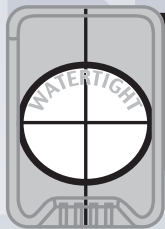
Ph. (616) 794-0700
FAX. (616) 794-3378
Web: www.stahlin.com



Another **RIGHT IDEA** from Stahlin Non-Metallic Enclosures

**RIGHT PRODUCT
RIGHT PRICE
RIGHT NOW**

The New Stahlin Breather Vent Allows Enclosures to Safely Expand and Contract



BREATHER VENT

The only available non-metallic
Breather Vent carrying a
UL type 4x rating!

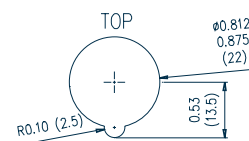
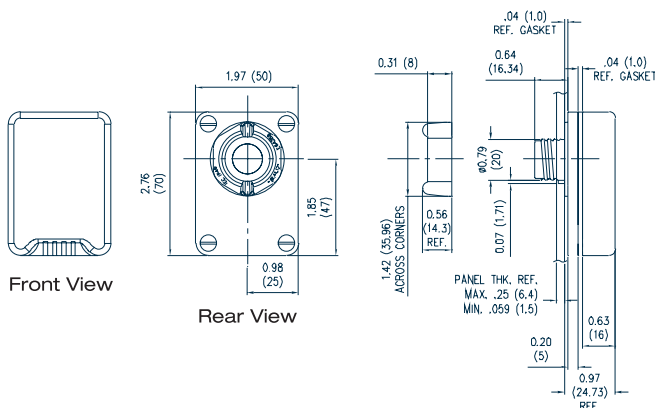
Stahlin's new non-metallic Breather Vent allows an enclosure to "breathe" — allowing the free passage of air thus equalizing the pressure differential between the enclosure and ambient before it builds to the point where a leak path is developed.

The Breather Vent is especially important for applications where enclosures protect equipment requiring a specified air temperature to work properly. In such instances it is imperative that the air trapped within an enclosure escapes before harming the sensitive electronic equipment within.

Stahlin's Breather Vent ensures that air flow is increased by allowing natural air currents through the enclosure, thus venting warm air and drawing in cooler outside air, all while maintaining a UL type 4x enclosure integrity as a recognized component.



Stahlin Breather Vent, Part Number: BV4XKIT, UPC code 80021, installed on a non-metallic enclosure



www.stahlin.com

EncloseYours



500 Maple Street
Belding, Michigan 48809

Ph. (616) 794-0700
FAX. (616) 794-3378
Web: www.stahlin.com

