



# 30mm In-line



**CONFIGURATION**  
4 cover screws, lift off cover



## CF Construction

<b>Material</b>	SolarGuard® – Hot compression molded fiberglass reinforced polyester (thermoset)
<b>Gasket</b>	Poured polyurethane seamless gasket provides watertight, dust-tight environmental seal
<b>Cover Screws</b>	Recessed captive stainless steel screws
<b>Stainless Steel Hardware</b>	300 Series stainless used on all external hardware
<b>Enclosure Mounting</b>	Mounting wells located under the cover, outside gasket area
<b>Soft Edge Design</b>	Rounded edges, minimal protrusions or exposed pocket areas for assembly of dust and debris
<b>Color</b>	Available standard glacier grey (PMS 428C)

## CF Modifications

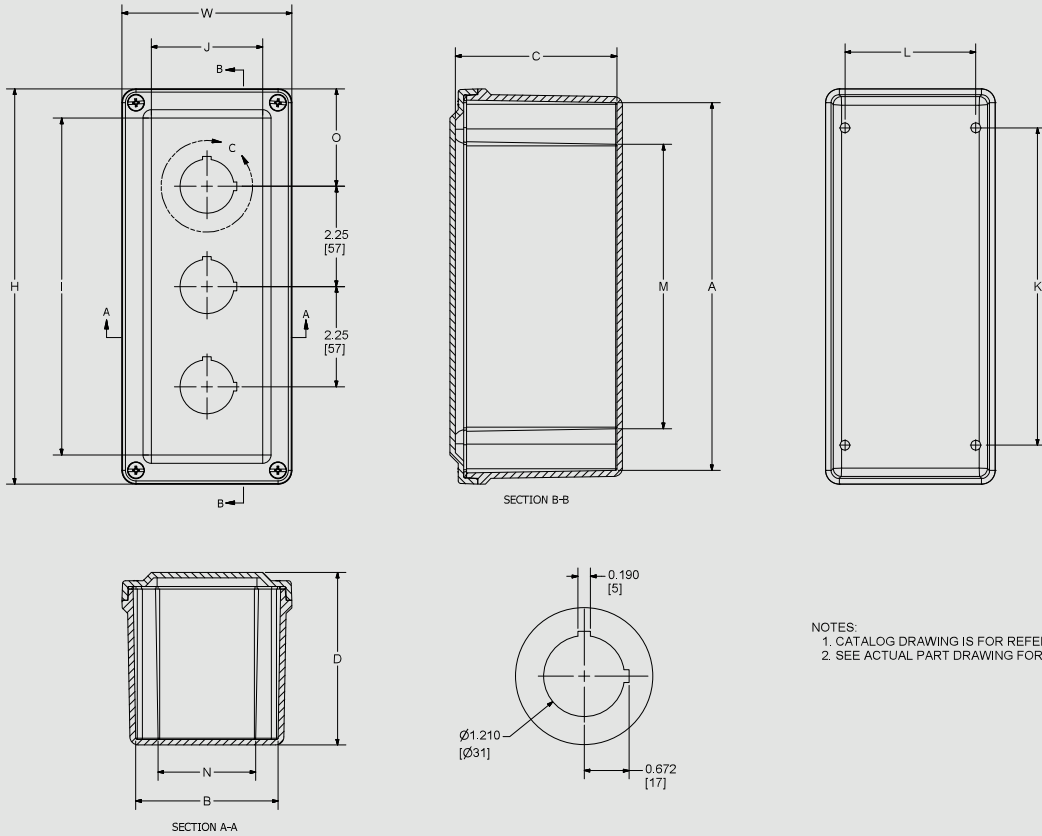
<b>Custom Colors</b>	pg. 21-22
<b>Custom Painting</b>	pg. 21-22
<b>Silk Screening</b>	pg. 21-22
<b>Custom Cutouts/Holes</b>	pg. 21-22

## CF Industry Standards

<b>NEMA 250, UL Listed UL50, UL50e, UL508A</b>	File E64358 Type 1, 3R, 4X, 6P, 12
<b>CSA Std C22.2</b>	File LR069014 Type 1, 3R, 4X, 6P, 12
<b>IEC 60529</b>	UL File E362920 IP 66, IP67, IP68
<b>Plenum Space (UL2043) Compliant</b>	Yes
<b>Temperature Range</b>	(-76°F to +274°F) (-60°C to +134°C)
<b>Flammability Rating</b>	UL94-5V
<b>Impact Rating</b>	IK10
<b>Self Extinguishing</b>	Non-flame propagating
<b>Chemical Resistance</b>	Full chemical resistance charts listed in appendix
<b>NFPA No. 101 Flame Spread</b>	Class A (1)
<b>Outdoor Exposure UL746C</b>	(F1) Rated

## CF Accessories

<b>Mounting Feet</b>	pg. 192
----------------------	---------



### SCREW SIZES & TORQUE VALUES

PRODUCT SIZES	BACK PANEL SCREW SIZE	BACK PANEL RECOMMENDED TORQUE	COVER SCREW SIZE	COVER SCREW RECOMMENDED TORQUE	RECOMMENDED MOUNTING FLANGE TORQUE
All Sizes	N/A	N/A	#10-24 x 3/4	20 - 24 in-lbs	45 in-lbs max

## PushButton Series – 30mm In-line

CATALOG NUMBER	OVERALL H X W X D	INSIDE A X B X C	I	J	K	L	M	N	O	SHIP WEIGHT
CF1PB	6.63 x 3.81 x 3.89 (168 x 97 x 99)	6.00 x 3.19 x 3.63 (153 x 81 x 92)	5.31 (135)	2.5 (64)	4.88 (124)	2.94 (75)	4.13 (105)	2.19 (56)	3.31 (84)	1.5 lbs.
CF2PB	6.63 x 3.81 x 3.89 (168 x 97 x 99)	6.00 x 3.19 x 3.63 (153 x 81 x 92)	5.31 (135)	2.5 (64)	4.88 (124)	2.94 (75)	4.13 (105)	2.19 (56)	2.19 (56)	1.5 lbs.
CF3PB	8.88 x 3.81 x 3.89 (225 x 97 x 99)	8.26 x 3.19 x 3.63 (210 x 81 x 92)	7.56 (192)	2.5 (64)	7.13 (181)	2.94 (75)	6.38 (162)	2.19 (56)	2.19 (56)	1.8 lbs.
CF4PB	11.13 x 3.81 x 3.89 (283 x 97 x 99)	10.51 x 3.19 x 3.63 (267 x 81 x 92)	9.81 (249)	2.5 (64)	9.37 (238)	2.94 (75)	8.63 (219)	2.19 (56)	2.19 (56)	2.0 lbs.
CF5PB	13.78 x 3.63 x 3.14 (350 x 92 x 80)	13.19 x 3.03 x 2.87 (335 x 77 x 73)	12.53 (318)	2.38 (60)	12.37 (314)	2.75 (70)	11.66 (296)	2.03 (52)	2.39 (61)	2.1 lbs.
CF6PB	17.35 x 3.63 x 3.14 (441 x 92 x 80)	16.75 x 3.03 x 2.87 (426 x 77 x 73)	16.1 (409)	2.38 (60)	15.94 (405)	2.75 (70)	15.22 (387)	2.03 (52)	3.05 (77)	3.0 lbs.

All measures are in inches, items in parentheses are in millimeters.  
 Note: CF3PB shown for reference.