



# Opaque Cover



**CONFIGURATION**  
4 cover screws, lift off cover



## W Construction

<b>Material</b>	SolarGuard® – Hot compression molded fiberglass reinforced polyester (thermoset)
<b>Gasket</b>	Poured polyurethane seamless gasket provides watertight, dust-tight environmental seal
<b>Recessed Screws</b>	No protruding surfaces
<b>Stainless Steel Hardware</b>	300 Series stainless used on all external hardware
<b>Mounting Bosses</b>	Panel mounting capability for fixed rear panel
<b>Metal Inserts</b>	All bosses utilize threaded brass inserts accepting 10-32 screws. Cover screws 10-24.
<b>Soft Edge Design</b>	Rounded edges, minimal protrusions or exposed pocket areas for assembly of dust and debris
<b>Color</b>	Available standard glacier grey (PMS 428C)

## W Modifications

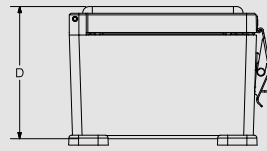
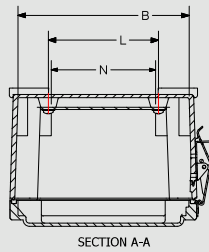
<b>Custom Colors</b>	pg. 21-22
<b>Silk Screening</b>	pg. 21-22
<b>EMI/RFI Shielding</b>	pg. 21-22
<b>Custom Window</b>	pg. 21-22
<b>Custom Cutouts/Holes</b>	pg. 21-22

## W Industry Standards

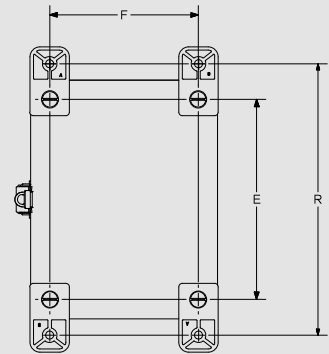
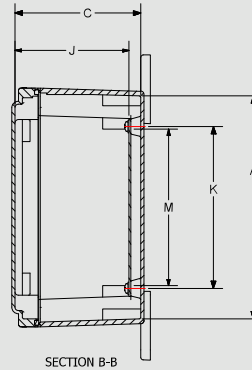
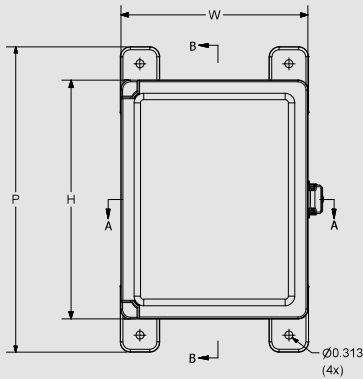
<b>NEMA 250, UL Listed UL50, UL50e, UL508A</b>	File E64358 Type 1, 3, 3R, 3S, 4X, 12
<b>CSA STD C22.2</b>	File LR069014 Type 1, 3, 3R, 3S, 4X, 12
<b>Temperature Range</b>	(-76° F to +274° F) (-60° C to +134° C)
<b>Flammability Rating</b>	UL94-5V
<b>Self Extinguishing</b>	Non-halogenated, Non-flame propagating
<b>Chemical Resistance</b>	Full chemical resistance charts listed in appendix
<b>NFPA No. 101 Flame Spread</b>	Class A (1)
<b>Outdoor Exposure UL746C</b>	(f1) Rated

## W Accessories

<b>PANELS</b>	<b>Aluminum</b>	BP_AL	pg. 174-175
	<b>Fiberglass</b>	BP_FG	pg. 174-175
	<b>Stainless Steel</b>	BP_SS	pg. 174-175
	<b>Carbon Steel</b>	BP_CS	pg. 174-175
<b>ACCESSORIES</b>	<b>Dead Front Panels</b>		pg. 180-181
	<b>Mounting Feet</b>		pg. 192
	<b>Drain &amp; Breather Vents</b>		pg. 185
	<b>Hole Plugs</b>		pg. 187
	<b>Assorted Hubs and Cord Grips</b>		pg. 188-189
	<b>All Other Accessories</b>		pg. 184-194



- NOTES:
1. CATALOG DRAWING IS FOR REFERENCE ONLY
  2. SEE ACTUAL PART DRAWING FOR SPECIFIC DESIGN
  3. NOTE "J" DIMENSION IS WITH 0.080" THICK BACK PANEL INSTALLED
  4. BACK PANEL IS SOLD SEPARATELY
  5. MOUNTING FEET SHOWN AS INSTALLED - FOR REFERENCE ONLY
  6. MOUNTING FEET ARE SOLD SEPARATELY



### SCREW SIZES & TORQUE VALUES

PRODUCT SIZES	BACK PANEL SCREW SIZE	BACK PANEL RECOMMENDED TORQUE	COVER SCREW SIZE	COVER SCREW RECOMMENDED TORQUE	MOUNTING FOOT SCREW SIZE	MOUNTING FOOT SCREW RECOMMENDED TORQUE	RECOMMENDED MOUNTING FLANGE TORQUE
All Sizes	#10-32 x 3/8	16 - 20 in-lbs	#10-24 x 1 All W Sizes	20 - 24 in-lbs	5/16-18 x 1/2 All Sizes	10 - 14 in-lbs	45 in-lbs max

## Classic Series – Opaque Cover

CATALOG NUMBER	OVERALL H X W X D	INSIDE A X B X C	MOUNTING E X F	J	K	L	M	N	P	OPT MTG FEET R X F	SHIP WEIGHT	PANEL NUMBER
CL707HPL CL707HW CL707W CL707HL	7.22 x 7.22 x 5.09 (183 x 183 x 129)	6.66 x 6.66 x 4.84 (169 x 169 x 123)	5.71 x 5.71 (145 x 145)	4.39 (111)	4.25 (108)	4.25 (108)	4.04 (103)	4.04 (103)	9.87 (251)	8.47 X 5.71 (215 x 145)	3.5 lbs.	BP66*
CL907HPL CL907HW CL907W CL907HL	9.22 x 7.22 x 5.09 (234 x 183 x 129)	8.59 x 6.59 x 4.84 (218 x 167 x 123)	7.71 x 5.71 (196 x 145)	4.39 (111)	6.25 (159)	4.25 (108)	6.04 (154)	4.04 (103)	11.78 (299)	10.47 X 5.71 (266 x 145)	4.2 lbs.	BP86*
CL1109HPL CL1109HW CL1109W CL1109HL	11.22 x 9.22 x 6.09 (285 x 235 x 155)	10.59 x 8.59 x 5.84 (269 x 218 x 148)	9.71 x 7.71 (247 x 196)	5.39 (137)	8.25 (210)	6.25 (159)	8.04 (204)	6.04 (154)	13.79 (350)	12.48 X 7.71 (317 x 196)	5.9 lbs.	BP108*
CL1311HPL CL1311HW CL1311W CL1311HLL CL1311HL	13.22 x 11.22 x 6.59 (336 x 285 x 167)	12.61 x 10.61 x 6.34 (320 x 269 x 161)	11.71 x 9.71 (298 x 247)	5.89 (150)	10.25 (260)	8.25 (210)	10.04 (255)	8.04 (204)	15.78 (401)	14.47 X 9.71 (368 x 247)	7.6 lbs.	BP1210*
CL1513HPL CL1513HW CL1513W CL1513HLL CL1513HL	15.22 x 13.22 x 7.09 (387 x 336 x 180)	14.60 x 12.60 x 6.84 (371 x 320 x 174)	13.71 x 11.71 (348 x 298)	6.39 (162)	12.25 (311)	10.25 (260)	12.04 (306)	10.04 (255)	17.78 (451)	16.47 X 11.71 (418 x 297)	11.4 lbs.	BP1412*

Note: Hinged Short Side available; consult factory for details. All measures are in inches, items in parentheses are in millimeters.



\*Panel sold separately