



# Window Cover



## CONFIGURATION

Hinged, padlock latch



### HPL Construction

<b>Material</b>	SolarGuard® – Hot compression molded fiberglass reinforced polyester (thermoset)
<b>Gasket</b>	Poured polyurethane seamless gasket provides watertight, dust-tight environmental seal
<b>Stainless Steel Hardware</b>	300 Series stainless used on all hardware
<b>Mounting Bosses</b>	Panel mounting capability for fixed rear panel
<b>Metal Inserts</b>	All bosses utilize threaded brass inserts accepting 10-32 screws
<b>Soft Edge Design</b>	Rounded edges, minimal protrusions or exposed pocket areas for assembly of dust and debris
<b>Bonded Window</b>	Precision routed flush bonded Super Abrasion Resistant acrylic material for maximum visibility
<b>Color</b>	Available standard glacier grey (PMS 428C)

### HPL Modifications

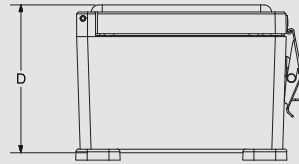
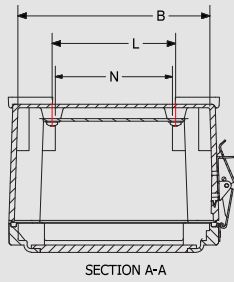
<b>Custom Colors</b>	pg. 21-22
<b>Silk Screening</b>	pg. 21-22
<b>EMI/RFI Shielding</b>	pg. 21-22
<b>Custom Window</b>	pg. 21-22
<b>Custom Cutouts/Holes</b>	pg. 21-22

### HPL Industry Standards

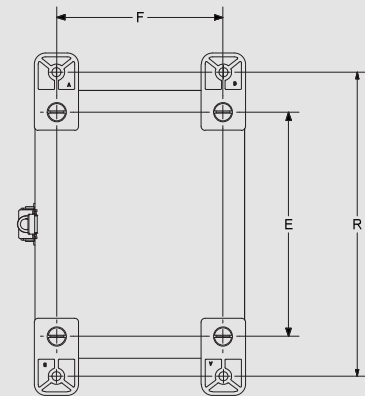
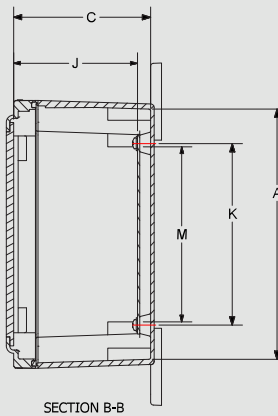
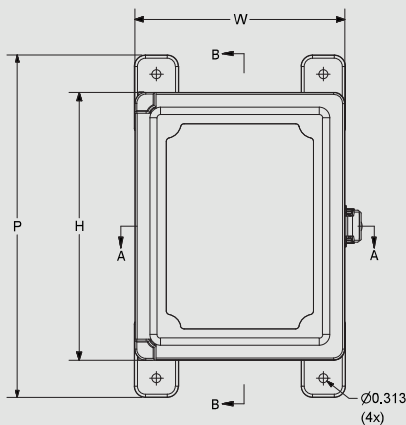
<b>NEMA 250, UL Listed UL50, UL50e, UL508A</b>	File E64358 Type 1, 3, 3R, 3S, 4X, 12
<b>CSA Std C22.2</b>	File LR069014 Type 1, 3, 3R, 3S, 4X, 12
<b>Temperature Range</b>	(-76° F to +274° F) (-60° C to +134° C)
<b>Flammability Rating</b>	UL94-5V
<b>Window Temperature Range</b>	(-26° F to +170° F) (-32° C to +76° C)
<b>Self Extinguishing</b>	Non-halogenated, Non-flame propagating
<b>Chemical Resistance</b>	Full chemical resistance charts listed in appendix
<b>NFPA No. 101 Flame Spread</b>	Class A (1)
<b>Outdoor Exposure UL746C</b>	(F1) Rated

### HPL Accessories

<b>PANELS</b>	<b>Aluminum</b>	BP_AL	pg. 174-175
	<b>Fiberglass</b>	BP_FG	pg. 174-175
	<b>Stainless Steel</b>	BP_SS	pg. 174-175
	<b>Carbon Steel</b>	BP_CS	pg. 174-175
	<b>Dead Front Panels</b>		pg. 180-181
<b>ACCESSORIES</b>	<b>Mounting Feet</b>		pg. 192
	<b>Drain &amp; Breather Vents</b>		pg. 185
	<b>Hole Plugs</b>		pg. 187
	<b>Assorted Hubs and Cord Grips</b>		pg. 188-189
	<b>All Other Accessories</b>		pg. 184-194



- NOTES:
1. CATALOG DRAWING IS FOR REFERENCE ONLY
  2. SEE ACTUAL PART DRAWING FOR SPECIFIC DESIGN
  3. NOTE J DIMENSION IS WITH 0.080" THICK BACK PANEL INSTALLED
  4. BACK PANEL IS SOLD SEPARATELY
  5. MOUNTING FEET SHOWN AS INSTALLED - FOR REFERENCE ONLY
  6. MOUNTING FEET ARE SOLD SEPARATELY



SCREW SIZES & TORQUE VALUES

PRODUCT SIZES	BACK PANEL SCREW SIZE	BACK PANEL RECOMMENDED TORQUE	COVER SCREW SIZE	COVER SCREW RECOMMENDED TORQUE	MOUNTING FOOT SCREW SIZE	MOUNTING FOOT SCREW RECOMMENDED TORQUE	RECOMMENDED MOUNTING FLANGE TORQUE
All Sizes	#10-32 x 3/8	16 - 20 in-lbs	#10-24 x 1 All W Sizes	20 - 24 in-lbs	5/16-18 x 1/2 All Sizes	10 - 14 in-lbs	45 in-lbs max

Classic Series – Window Cover

CATALOG NUMBER	OVERALL H X W X D	INSIDE A X B X C	WINDOW AREA (MAXIMUM)	MOUNTING		J	K	L	M	N	P	OPT MTG FEET F X R	SHIP WEIGHT	PANEL NUMBER
				E	F									
CLW707HPL CLW707HW	7.22 x 7.22 x 5.09 (183 x 183 x 129)	6.66 x 6.66 x 4.84 (169 x 169 x 123)	5.06 x 5.06 (129 x 129)	5.71 x 5.71 (145 x 145)	4.35 (110)	4.25 (108)	4.25 (108)	4.04 (103)	4.04 (103)	9.87 (251)	8.47 X 5.71 (215 x 145)	4 lbs.	BP66*	
CLW907HPL CLW907HW	9.22 x 7.22 x 5.09 (234 x 182 x 129)	8.59 x 6.59 x 4.84 (218 x 167 x 123)	7.06 x 5.06 (179 x 129)	7.71 x 5.71 (196 x 145)	4.35 (110)	6.25 (159)	4.25 (108)	6.04 (154)	4.04 (103)	11.78 (299)	10.47 X 5.71 (266 x 145)	4.3 lbs.	BP86*	
CLW1109HPL CLW1109HW	11.22 x 9.22 x 6.09 (285 x 234 x 155)	10.59 x 8.59 x 5.84 (269 x 218 x 148)	9.06 x 7.06 (230 x 179)	9.71 x 7.71 (247 x 196)	5.34 (136)	8.25 (210)	6.25 (159)	8.04 (204)	6.04 (154)	13.79 (350)	12.48 X 7.71 (317 x 196)	6 lbs.	BP108*	
CLW1311HPL CLW1311HW CLW1311W CLW1311HLL	13.22 x 11.22 x 6.59 (336 x 285 x 167)	12.61 x 10.61 x 6.34 (320 x 269 x 161)	11.06 x 9.06 (281 x 230)	11.71 x 9.71 (298 x 247)	5.84 (148)	10.25 (260)	8.25 (210)	10.04 (255)	8.04 (204)	15.78 (401)	14.47 X 9.71 (368 x 247)	7.8 lbs.	BP1210*	
CLW1513HPL CLW1513HW CLW1513HLL	15.22 x 13.22 x 7.09 (387 x 336 x 180)	14.60 x 12.60 x 6.84 (371 x 320 x 174)	13.06 x 11.06 (332 x 281)	13.71 x 11.71 (348 x 298)	6.47 (164)	12.25 (311)	10.25 (260)	12.04 (306)	10.04 (255)	17.78 (451)	16.47 X 11.71 (418 x 297)	11.6 lbs.	BP1412*	

Note: Hinge Short Side available, consult factory for details. All measures are in inches, items in parentheses are in millimeters.



\*\*Panel sold separately