



Window Cover

CONFIGURATION
Hinged, 2 cover screws



HW Construction

Material	SolarGuard® – Hot compression molded fiberglass reinforced polyester (thermoset)
Gasket	Poured polyurethane seamless gasket provides watertight, dust-tight environmental seal
Recessed Screws	No protruding surfaces
Stainless Steel Hardware	300 Series stainless used on all hardware
Mounting Bosses	Panel mounting capability for fixed rear panel
Metal Inserts	All bosses utilize threaded brass inserts accepting 10-32 screws. Cover screws 10-24.
Soft Edge Design	Rounded edges, minimal protrusions or exposed pocket areas for assembly of dust and debris
Bonded Window	Precision routed flush bonded Super Abrasion Resistant acrylic material for maximum visibility
Color	Available standard glacier grey (PMS 428C)

HW Modifications

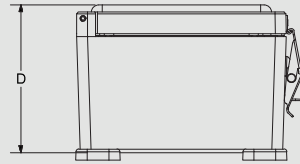
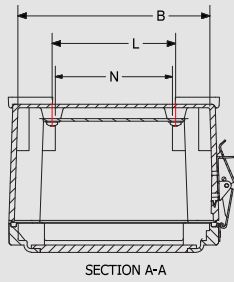
Custom Colors	pg. 21-22
Silk Screening	pg. 21-22
EMI/RFI Shielding	pg. 21-22
Custom Window	pg. 21-22
Custom Cutouts/Holes	pg. 21-22

HW Industry Standards

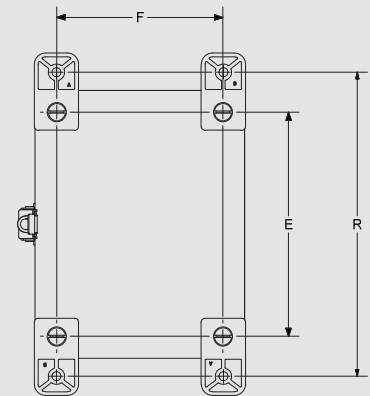
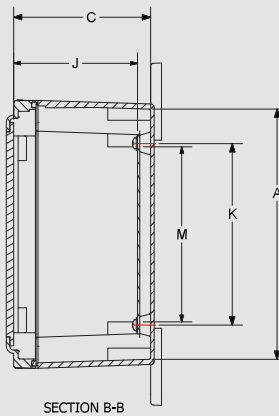
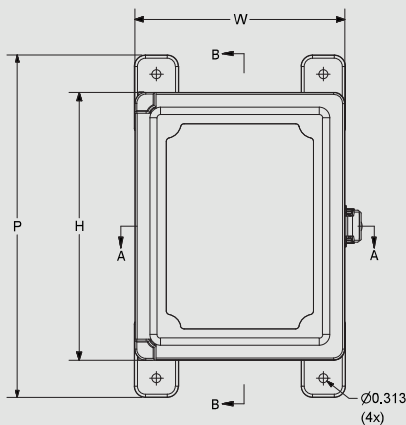
NEMA 250, UL Listed UL50, UL50e, UL508A	File E64358 Type 1, 3, 3R, 3S, 4X, 12
CSA Std C22.2	File LR069014 Type 1, 3, 3R, 3S, 4X, 12
Temperature Range	(-76° F to +274° F) (-60° C to +134° C)
Flammability Rating	UL94-5V
Window Temperature Range	(-26° F to +170° F) (-32° C to +76° C)
Self Extinguishing	Non-halogenated, Non-flame propagating
Chemical Resistance	Full chemical resistance charts listed in appendix
NFPA No. 101 Flame Spread	Class A (1)
Outdoor Exposure UL746C	(F1) Rated

HW Accessories

PANELS	Aluminum	BP_AL	pg. 174-175
	Fiberglass	BP_FG	pg. 174-175
	Stainless Steel	BP_SS	pg. 174-175
	Carbon Steel	BP_CS	pg. 174-175
	Dead Front Panels		pg. 180-181
ACCESSORIES	Mounting Feet		pg. 192
	Drain & Breather Vents		pg. 185
	Hole Plugs		pg. 187
	Assorted Hubs and Cord Grips		pg. 188-189
	All Other Accessories		pg. 184-194



- NOTES:
1. CATALOG DRAWING IS FOR REFERENCE ONLY
 2. SEE ACTUAL PART DRAWING FOR SPECIFIC DESIGN
 3. NOTE J DIMENSION IS WITH 0.080" THICK BACK PANEL INSTALLED
 4. BACK PANEL IS SOLD SEPARATELY
 5. MOUNTING FEET SHOWN AS INSTALLED - FOR REFERENCE ONLY
 6. MOUNTING FEET ARE SOLD SEPARATELY



SCREW SIZES & TORQUE VALUES

PRODUCT SIZES	BACK PANEL SCREW SIZE	BACK PANEL RECOMMENDED TORQUE	COVER SCREW SIZE	COVER SCREW RECOMMENDED TORQUE	MOUNTING FOOT SCREW SIZE	MOUNTING FOOT SCREW RECOMMENDED TORQUE	RECOMMENDED MOUNTING FLANGE TORQUE
All Sizes	#10-32 x 3/8	16 - 20 in-lbs	#10-24 x 1 All W Sizes	20 - 24 in-lbs	5/16-18 x 1/2 All Sizes	10 - 14 in-lbs	45 in-lbs max

Classic Series – Window Cover

CATALOG NUMBER	OVERALL H X W X D	INSIDE A X B X C	WINDOW AREA (MAXIMUM)	MOUNTING			L	M	N	P	OPT MTG FEET F X R	SHIP WEIGHT	PANEL NUMBER
				E	X	F							
CLW707HPL CLW707HW	7.22 x 7.22 x 5.09 (183 x 183 x 129)	6.66 x 6.66 x 4.84 (169 x 169 x 123)	5.06 x 5.06 (129 x 129)	5.71 x 5.71 (145 x 145)	4.35 (110)	4.25 (108)	4.25 (108)	4.04 (103)	4.04 (103)	9.87 (251)	8.47 X 5.71 (215 x 145)	4 lbs.	BP66*
CLW907HPL CLW907HW	9.22 x 7.22 x 5.09 (234 x 182 x 129)	8.59 x 6.59 x 4.84 (218 x 167 x 123)	7.06 x 5.06 (179 x 129)	7.71 x 5.71 (196 x 145)	4.35 (110)	6.25 (159)	4.25 (108)	6.04 (154)	4.04 (103)	11.78 (299)	10.47 X 5.71 (266 x 145)	4.3 lbs.	BP86*
CLW1109HPL CLW1109HW	11.22 x 9.22 x 6.09 (285 x 234 x 155)	10.59 x 8.59 x 5.84 (269 x 218 x 148)	9.06 x 7.06 (230 x 179)	9.71 x 7.71 (247 x 196)	5.34 (136)	8.25 (210)	6.25 (159)	8.04 (204)	6.04 (154)	13.79 (350)	12.48 X 7.71 (317 x 196)	6 lbs.	BP108*
CLW1311HPL CLW1311HW CLW1311W CLW1311HLL	13.22 x 11.22 x 6.59 (336 x 285 x 167)	12.61 x 10.61 x 6.34 (320 x 269 x 161)	11.06 x 9.06 (281 x 230)	11.71 x 9.71 (298 x 247)	5.84 (148)	10.25 (260)	8.25 (210)	10.04 (255)	8.04 (204)	15.78 (401)	14.47 X 9.71 (368 x 247)	7.8 lbs.	BP1210*
CLW1513HPL CLW1513HW CLW1513HLL	15.22 x 13.22 x 7.09 (387 x 336 x 180)	14.60 x 12.60 x 6.84 (371 x 320 x 174)	13.06 x 11.06 (332 x 281)	13.71 x 11.71 (348 x 298)	6.47 (164)	12.25 (311)	10.25 (260)	12.04 (306)	10.04 (255)	17.78 (451)	16.47 X 11.71 (418 x 297)	11.6 lbs.	BP1412*

Note: Hinge Short Side available, consult factory for details. All measures are in inches, items in parentheses are in millimeters.



**Panel sold separately