



D Series



CONFIGURATION

Flush fitting cover fastened by captive lid screws



W Construction

Material	Hot compression molded fiberglass reinforced polyester (thermoset)
Gasket	Poured polyurethane seamless gasket provides watertight, dust-tight environmental seal
Recessed Screws	No protruding surfaces
Stainless Steel Hardware	300 Series stainless used on all hardware
Mounting Bosses	Panel mounting capability for fixed rear panel or DIN rail
Metal Inserts	All bosses utilize threaded brass inserts accepting M6 screws
Soft Edge Design	Rounded edges, minimal protrusions or exposed pocket areas for assembly of dust and debris

W Modifications

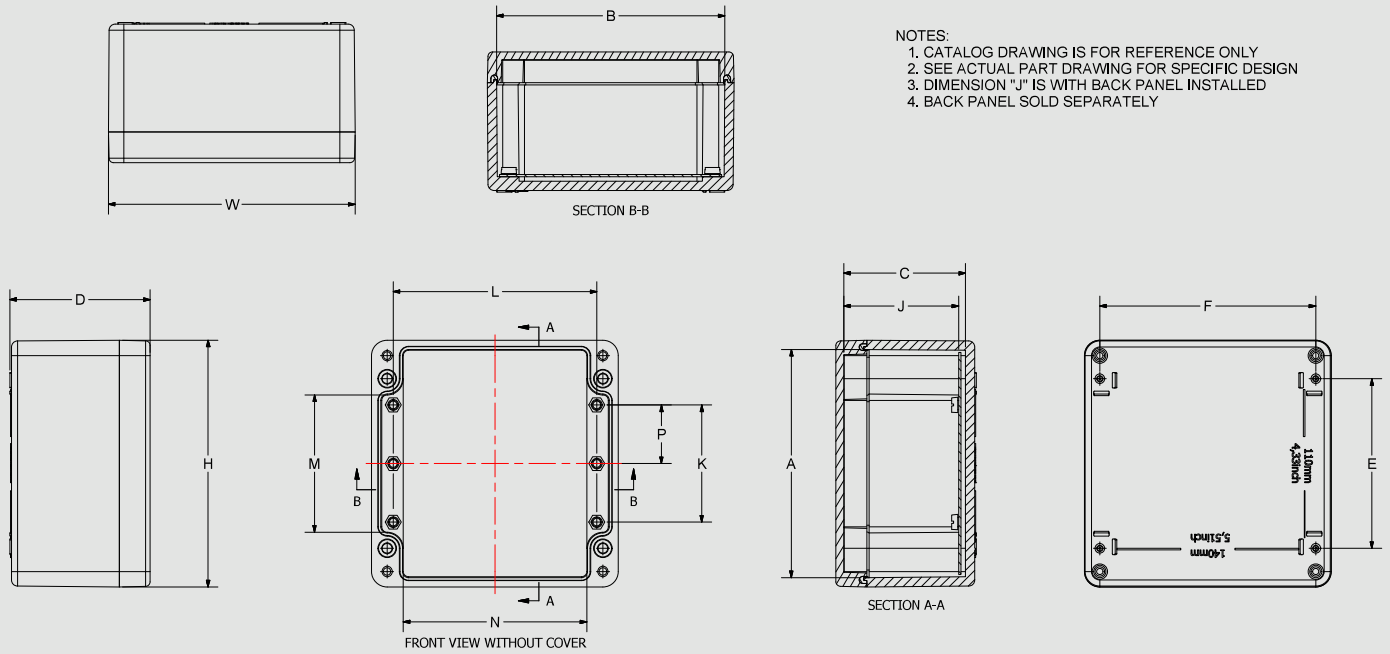
Custom Colors	pg. 21-22
Silk Screening	pg. 21-22
EMI/RFI Shielding	pg. 21-22
Custom Window	pg. 21-22
Custom Cutouts/Holes	pg. 21-22

W Industry Standards

NEMA 250, UL Listed UL50, UL50e, UL508A	File E64358 Type 1, 3, 3S, 4X, 6, 6P, 12
CSA Std C22.2	File LR069014 Type 1, 3, 3S, 4X, 6, 6P, 12
IEC 60529	IP66, IP67, IP68
Temperature Range	(-26° F to +257° F) (-32° C to +125° C)
Flammability Rating	UL94-V0
Self Extinguishing	Non-halogenated, Non-flame propagating
Outdoor Exposure UL746C	(f1) Rated

W Accessories

ACCESSORIES	Aluminum Back Panels	D_BP	pg. 176
	Drain & Breather Vents		pg. 185
	Hole Plugs		pg. 187
	Assorted Hubs and Cord Grips		pg. 188-189
	All Other Accessories		pg. 184-194



- NOTES:
 1. CATALOG DRAWING IS FOR REFERENCE ONLY
 2. SEE ACTUAL PART DRAWING FOR SPECIFIC DESIGN
 3. DIMENSION "J" IS WITH BACK PANEL INSTALLED
 4. BACK PANEL SOLD SEPARATELY

SCREW SIZES & TORQUE VALUES

PRODUCT SIZES	BACK PANEL SCREW SIZE	BACK PANEL RECOMMENDED TORQUE	COVER SCREW SIZE	COVER SCREW RECOMMENDED TORQUE	MOUNTING FOOT SCREW SIZE	MOUNTING FOOT SCREW RECOMMENDED TORQUE	RECOMMENDED MOUNTING FLANGE TORQUE
All Sizes	M6 x 9.5 mm	16 - 20 in-lbs	M6-1.0 x 35 mm	20 - 24 in-lbs	All Sizes	20 - 24 in-lbs	20 - 24 in-lbs

DuraBoxx® Series – D Series

CATALOG NUMBER	OVERALL H X W X D	INSIDE A X B X C	MOUNTING E X F	J	K	L	M X N	P	SHIP WEIGHT	PANEL NUMBER
D333W	2.95 x 3.15 x 2.98 (75 x 80 x 76)	2.56 x 2.76 x 2.56 (65 x 70 x 65)	1.57 x 2.48 (40 x 63)	2.26 (57)	N/A	2.28 (58)	1.06 x 1.93 (27) (49)	N/A	0.81 LB	D333BP*
D342W	2.95 x 4.33 x 2.22 (75 x 110 x 56)	2.56 x 3.96 x 1.81 (65 x 100 x 46)	1.77 x 3.86 (45 x 98)	1.53 (39)	N/A	3.50 (89)	1.29 x 3.37 (33) (86)	N/A	.88 LB	D342BP*
D554W	4.72 x 4.80 x 3.58 (120 x 122 x 91)	4.33 x 4.41 x 3.15 (110 x 112 x 80)	3.23 x 4.17 (82 x 106)	2.93 (74)	2.05 (52)	3.74 (95)	2.56 x 3.50 (65) (89)	1.02 (26)	1.7 LB	D554BP*
D593W	4.72 x 8.66 x 3.18 (120 x 220 x 81)	4.34 x 8.28 x 2.83 (110 x 210 x 72)	3.23 x 8.03 (82 x 204)	2.62 (67)	2.05 (52)	7.60 (193)	2.57 x 7.37 (65) (187)	1.02 (26)	2.4 LB	D593BP*
D594W	4.72 x 8.66 x 3.58 (120 x 220 x 91)	4.33 x 8.27 x 3.15 (110 x 210 x 80)	3.23 x 8.03 (82 x 204)	2.93 (74)	2.05 (52)	7.60 (193)	2.57 x 7.37 (65) (187)	1.02 (26)	2.5 LB	D594BP*
D774W	6.30 x 6.30 x 3.58 (160 x 160 x 91)	5.79 x 5.79 x 3.11 (147 x 147 x 79)	4.33 x 5.51 (110 x 140)	2.93 (74)	2.99 (76)	5.20 (132)	3.50 x 4.68 (89) (119)	1.50 (38)	2.8 LB	D774BP*
D7114W	6.30 x 10.24 x 3.58 (160 x 260 x 91)	5.79 x 9.72 x 3.11 (147 x 247 x 79)	4.33 x 9.45 (110 x 240)	2.93 (74)	2.99 (76)	9.13 (232)	3.50 x 8.62 (89) (219)	1.50 (38)	3.8 LB	D7114BP*
D10105W	9.84 x 10.04 x 4.76 (250 x 255 x 121)	9.32 x 9.51 x 4.29 (237 x 242 x 109)	7.87 x 9.25 (200 x 235)	4.11 (104)	3.94 (100)	8.94 (227)	7.03 x 8.41 (179) (214)	1.97 (50)	6.4 LB	D10105BP*
D10165W	9.84 x 15.75 x 4.76 (250 x 400 x 121)	9.32 x 15.22 x 4.29 (237 x 387 x 109)	7.87 x 14.96 (200 x 380)	4.09 (104)	3.94 (100)	14.65 (327)	7.03 x 14.12 (179) (359)	1.97 (50)	8.8 LB	D10165BP*
D14144W	14.17 x 14.17 x 3.58 (360 x 360 x 91)	13.66 x 13.66 x 3.11 (347 x 347 x 79)	12.20 x 13.39 (310 x 340)	2.91 (74)	5.35 (136)	13.07 (332)	11.38 x 12.56 (289) (319)	2.68 (68)	8.0 LB	D14144BP*
D16165W	15.94 x 15.75 x 4.76 (405 x 400 x 121)	15.42 x 15.22 x 4.29 (392 x 387 x 109)	13.98 x 14.96 (355 x 380)	4.09 (104)	9.84 (250)	14.65 (372)	13.14 x 14.12 (334) (359)	4.92 (125)	11.0 LB	D16165BP*

DuraBoxx® Clear Cover Sizes: DCC Part Number.



* Panel ordered separately