



## Stahlin Enclosure Accessories

*Easily customize your configurations!*

**Stahlin**® offers the largest selection of non-metallic enclosures in North America. However, the ability to customize into unique end-user configurations may be the single most compelling reason to buy Stahlin Enclosure products. **Stahlin Enclosure Accessories** are offered for the enhancement of your enclosure: from our patented PluggIt!® to our new thermal and lighting accessories.

Engineered modifications may become complex and are end-user specific; but these accessories can be added at any time: from the immediate enclosure purchase to an addition later as a separately priced item.

Part numbers and their specifications are shown in this literature; it will make your usage simpler whether you choose to order **Stahlin Enclosure Accessories** as add-ons, or on their own.

# Environmental Management

---

## Prolong the life of installed components

Robroy Enclosures features a comprehensive offering of Enclosure Environmental Management Solutions. Environmental Management products are designed specifically to prolong the life of installed components. To accomplish this, Robroy offers many specific solutions such as a variety of breather and drain vents and plugs.



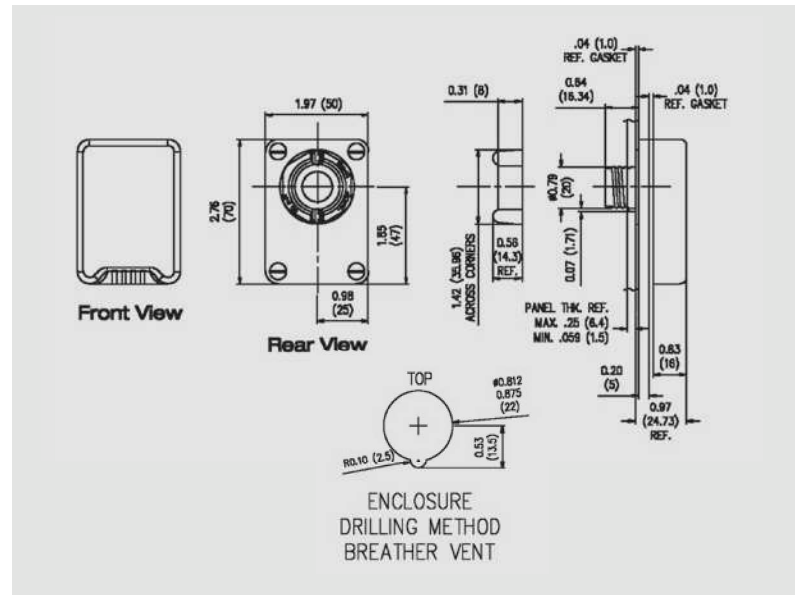
### Breather Vent

Stahlin’s non-metallic Breather Vent allows an enclosure to “breathe” – literally allowing the free passage of air while maintaining UL Type 4X enclosure integrity as a recognized component. **UL File #E64358 Type 4X**



**CATALOG NUMBER**

REBV4XKIT



### Drain Vent

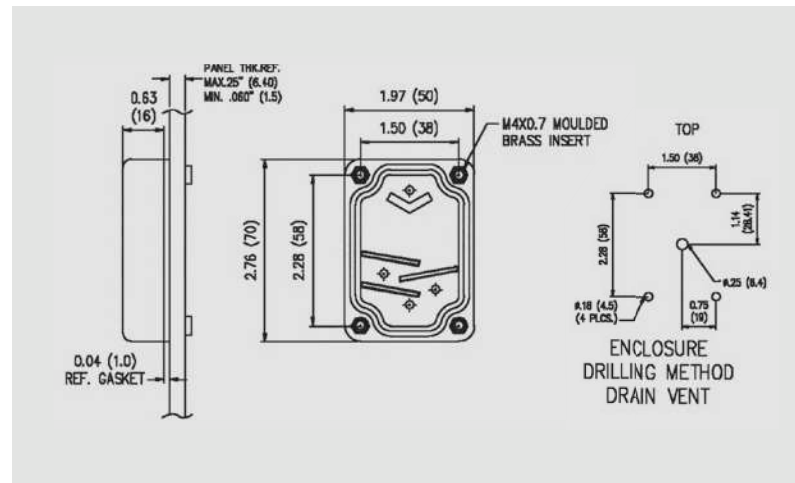
Stahlin’s non-metallic Drain Vent reliably protects electrical equipment housed inside an enclosure by properly draining unwanted moisture or accumulated water from within, while maintaining UL Type 4X enclosure integrity as a recognized component.

**UL File #E64358 Type 4X**



**CATALOG NUMBER**

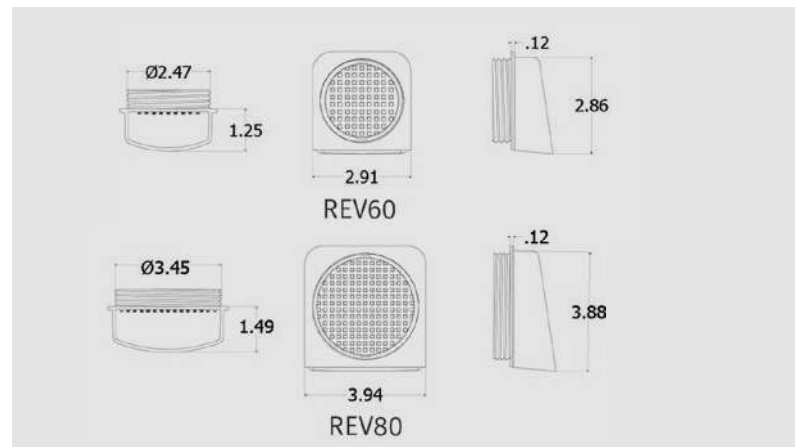
REDV4XKIT



### Vent

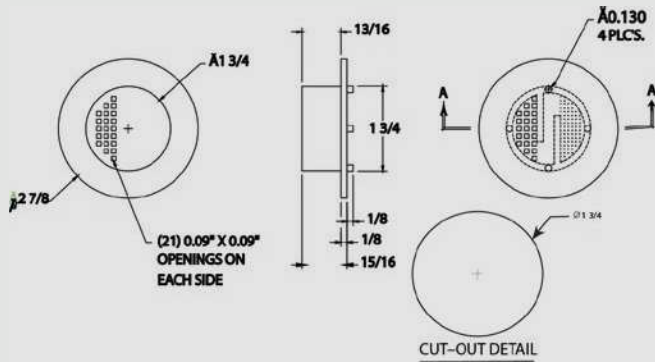
Stahlin’s polycarbonate vent offers ventilation installation with the turn of the wrist.

**UL File #E64358 Type 3R**



CATALOG NUMBER	DESCRIPTION	CUT-OUT DIAMETER
REV60	Small Vent (60mm)	2.55 (64.77mm)
REV80	Large Vent (80mm)	3.43 (87.12mm)

Accessories



## Drain & Vent

Stahlin's PVC Drain & Vent is a versatile vent, with easy installation. Available as an individual part, or kit.

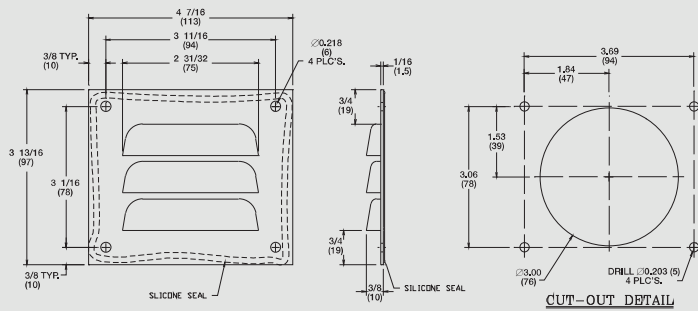


**CATALOG NUMBER**

REDV1PVC

REDVK3KIT

*Note: Kit includes REDV1PVC and silicone pack.*



## Louver Plate Vent

Stahlin's polypropylene Louver Plate Vent offers ventilation with a thin profile. Offered as a lone plate, or a full installation kit.



**CATALOG NUMBER**

REL P1

REL PK3KIT

## Vapor Capsule

Stahlin Vapor Capsules contain a unique vapor phase inhibitor designed to protect metallic surfaces within an enclosure against airborne corrosion.

**CATALOG NUMBER**

REVC21

*Note: Radius of Protection: 2 ft. Normal Life Span: 1 yr.*



## Condensation Plug

Stahlin's condensation plug is a 4X rated small footprint way of venting your enclosure.

**CATALOG NUMBER**

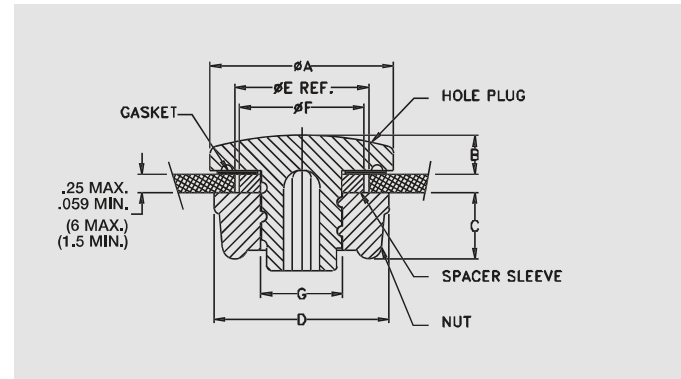
REAVP1/2





## Pluggit!®

- Superior corrosion resistance compared to rust-prone carbon steel and other metallic alternatives helps ensure increased enclosure life expectancy.
- Cost effective when compared to either carbon or stainless steel alternatives.
- Considerably better long-term resistance to UV degradation versus UV-susceptible soft rubber plugs that turn brittle from extreme temperature variations and repeated UV exposure.
- Will not create galvanic corrosion associated with dissimilar metals sometimes used in electrical enclosures.
- Maintains all chemical resistance features of current Robroy Enclosures products.
- Flame retardant material to UL 94V-0.
- A submersion/hosedown rated component for use in electrical enclosures UL recognized to type 4X and 6P.
- IEC tested to IP66 and IP68.
- Temperature Rating: -26° F to +257° F (-32° C to +125° C)
- Patented design since 2017
- UL File #E64358; Type 1, 3R, 4, 4X, 6, 6P, 12



CATALOG NUMBER	ØA	B +0.05" -0.00"	C	D ACROSS FLATS	ØG	CONFIG.	ØE REF. - NOM. HOLE DIA. RANGE	ØF	COMMON INDUSTRY APPLICATIONS
REHPSERIES1	1.00" (25.40)	0.22" (5.59)	0.35" (8.89)	0.88" (22.35)	0.44" (11.18)	CONFIG 1	0.50" - 0.56" (12.70 - 14.29)	N/A	1/2" Dia. Hole
						CONFIG 2	0.63" - 0.69" (16.00 - 17.46)	0.56" (14.22)	5/8" Dia. Hole
						CONFIG 3	0.75" - 0.81" (19.05 - 20.64)	0.68" (17.27)	3/4" Dia. Hole
REHPSERIES1.5	1.20" (30.48)	0.22" (5.59)	0.33" (8.38)	1.04" (26.39)	0.81" (20.57)	CONFIG 3.5	0.88" (22.35)	N/A	1/2" Conduit
REHPSERIES2	1.50" (38.10)	0.22" (5.59)	0.38" (9.63)	1.38" (35.05)	0.85" (21.59)	CONFIG 4	0.88" - 1.00" (22.35 - 25.40)	N/A	1/2" Conduit 22mm PB
						CONFIG 5	1.06" - 1.12" (26.92 - 28.45)	1.03" (26.16)	3/4" Conduit
						CONFIG 6	1.22" - 1.28" (30.73 - 32.51)	1.19" (30.22)	30mm PB
REHPSERIES3	2.00" (50.80)	0.22" (5.59)	0.38" (9.63)	1.88" (47.75)	1.35" (34.29)	CONFIG 7	1.38" - 1.50" (35.05 - 38.10)	N/A	1" Conduit
						CONFIG 8	1.69" - 1.75" (42.67 - 44.45)	1.65" (41.91)	1-1/4" Conduit
REHPSERIES4	2.75" (69.85)	0.22" (5.59)	0.41" (10.41)	2.63" (66.67)	1.97" (50.04)	CONFIG 9	2.00" - 2.12" (50.80 - 53.85)	N/A	1-1/2" Conduit
						CONFIG 10	2.50" - 2.56" (63.50 - 65.09)	2.44" (61.89)	2" Conduit
REHPSERIES5	3.38" (85.85)	0.22" (5.59)	0.34" (8.63)	3.38" (85.85)	2.97" (75.44)	CONFIG 11	3.00" (76.20)	N/A	2-1/2" Conduit
REHPSERIES6	4.00" (101.60)	0.22" (5.59)	0.34" (8.63)	4.00" (101.60)	3.59" (91.19)	CONFIG 12	3.62" (91.95)	N/A	3" Conduit
REHPSERIES7	4.50" (114.30)	0.22" (5.59)	0.38" (9.63)	4.50" (114.30)	4.09" (103.88)	CONFIG 13	4.12" (104.65)	N/A	3-1/2" Conduit
REHPSERIES8	5.00" (127.00)	0.22" (5.59)	0.41" (10.41)	5.00" (127.00)	4.59" (116.58)	CONFIG 14	4.62" (117.35)	N/A	4" Conduit