



PVC



CONFIGURATION
4 cover screws, lift off cover



PVC Construction

Material	Polyvinyl chloride (PVC)
Gasket	PVC seamless gasket provides watertight, dust-tight environmental seal
Brass Screws	Screw down to brass inserts
Mounting Feet	Built in on designated models. Add on feet available for other models
Soft Edge Design	Rounded edges, minimal protrusions or exposed pocket areas for assembly of dust and debris

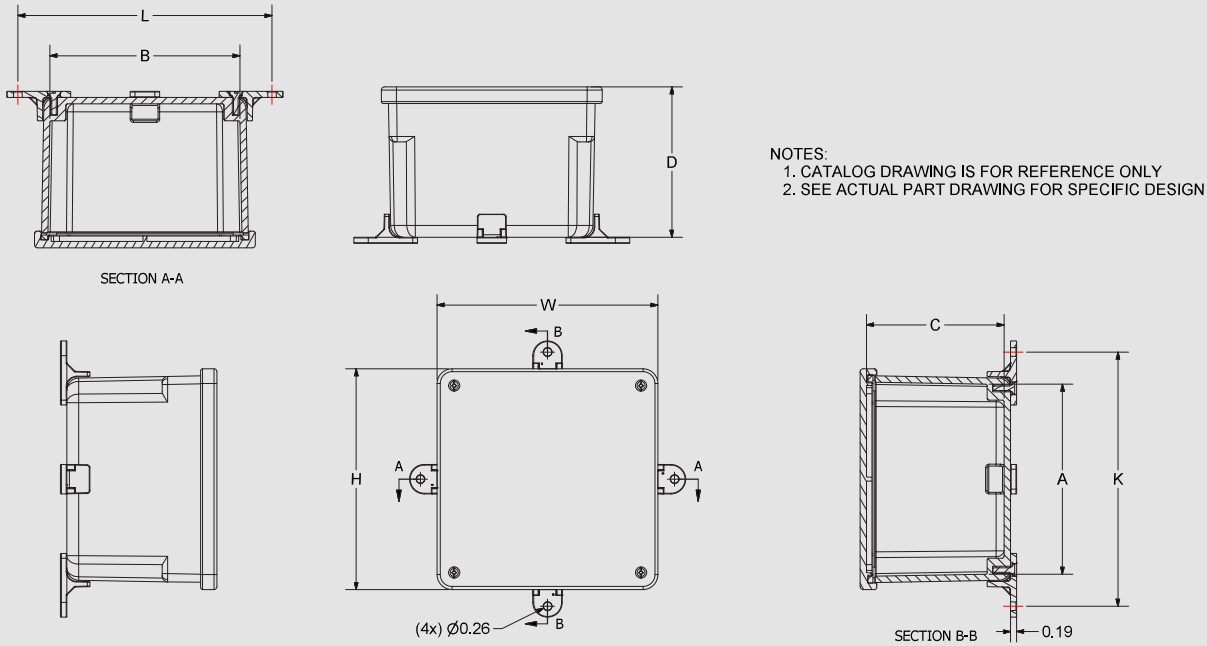
PVC Modifications

Silk Screening	pg. 21-22
Custom Cutouts/Holes	pg. 21-22

PVC Industry Standards

NEMA 250, UL Listed UL50, UL50e, UL508A	File E190960 Type 1, 2, 3, 4, 4X, 12, 13
CSA Std C22.2 No. 85	File 207025 Type 1, 2, 3, 4, 4X, 12, 13
Temperature Range	(-4°F to +140°F) (-20°C to +60°C)
Flammability Rating	UL94-V0
Self Extinguishing	Non-flame propagating
Chemical Resistance	Full chemical resistance charts listed in appendix

New Sentry® Series



SCREW SIZES & TORQUE VALUES

PRODUCT SIZES	BACK PANEL SCREW SIZE	BACK PANEL RECOMMENDED TORQUE	COVER SCREW SIZE	COVER SCREW RECOMMENDED TORQUE	MOUNTING FOOT SCREW SIZE	MOUNTING FOOT SCREW RECOMMENDED TORQUE
4 x 4 x 2 to 6 x 6 x 6	N/A	N/A	#8-32	16-20 in-lbs	10-16 Hi-Lo	30 in-lbs
8 x 8 x 4 to 12 x 12 x 6	N/A	N/A	#8-32	16-20 in-lbs	1/4-15 Hi-Lo	40 in-lbs

NewSentry® Series – PVC

CATALOG NUMBER	OVERALL H X W X D	INSIDE A X B X C	K	L	F	SHIP WEIGHT
J442PVC*	4.03 x 4.03 x 2.42 (102 x 102 x 61)	3.66 x 3.66 x 2.00 (93 x 93 x 51)	4.63 (118)	N/A	8-32	0.60 lbs.
J444PVC	4.04 x 4.04 x 4.50 (103 x 103 x 114)	3.60 x 3.60 x 4.02 (91 x 91 x 102)	5.64 (143)	N/A	8-32	1.11 lbs.
J446PVC	4.02 x 4.02 x 6.58 (102 x 102 x 167)	3.59 x 3.59 x 6.02 (91 x 91 x 153)	5.49 (139)	N/A	8-32	1.40 lbs.
J552PVC*	5.00 x 5.00 x 2.33 (127 x 127 x 59)	4.61 x 4.61 x 1.85 (117 x 117 x 47)	5.66 (144)	N/A	8-32	0.90 lbs.
J664PVC	6.85 x 6.85 x 4.57 (174 x 174 x 116)	5.96 x 5.96 x 4.03 (151 x 151 x 102)	7.94 (202)	7.94 (202)	10-32	2.12 lbs.
J666PVC	6.85 x 6.85 x 6.58 (174 x 174 x 167)	5.92 x 5.92 x 6.04 (150 x 150 x 153)	7.96 (202)	7.96 (202)	10-32	2.72 lbs.
J884PVC	8.96 x 8.96 x 4.62 (228 x 228 x 117)	8.05 x 8.05 x 4.06 (204 x 204 x 103)	10.49 (266)	10.49 (266)	1/4-20	3.77 lbs.
J887PVC	9.15 x 9.15 x 7.65 (232 x 232 x 195)	8.02 x 8.02 x 7.06 (204 x 204 x 179)	10.49 (266)	10.49 (266)	1/4-20	5.10 lbs.
J12124PVC	12.94 x 12.94 x 4.70 (329 x 329 x 119)	11.92 x 11.92 x 4.00 (303 x 303 x 102)	14.46 (367)	14.46 (367)	1/4-20	8.50 lbs.
J12126PVC	12.94 x 12.94 x 6.64 (329 x 329 x 169)	11.91 x 11.91 x 6.00 (303 x 303 x 152)	14.46 (367)	14.46 (367)	1/4-20	9.25 lbs.

All measures are in inches, items in parentheses are in millimeters.
 F = Threaded brass insert size.

*Molded in mounting feet