



# Opaque Cover



## CONFIGURATION

Hinged, padlock latch



### SSH Construction

<b>Material</b>	SolarGuard® – Hot compression molded fiberglass reinforced polyester (thermoset)
<b>Gasket</b>	Poured polyurethane seamless gasket provides watertight, dust-tight environmental seal
<b>Pan Head Screws</b>	Minimized protruding surfaces
<b>Stainless Steel Hardware</b>	300 Series stainless used on all external hardware
<b>Molded in Mounting Flange</b>	Molded in flange for ease of mounting
<b>Mounting Bosses</b>	Panel mounting capability for fixed rear panel
<b>Metal Inserts</b>	Back panel and cover panel utilizes threaded brass inserts accepting 10-32 screws.
<b>Soft Edge Design</b>	Rounded edges, minimal protrusions or exposed pocket areas for assembly of dust and debris
<b>Color</b>	Available standard glacier grey (PMS 428C)

### SSH Modifications

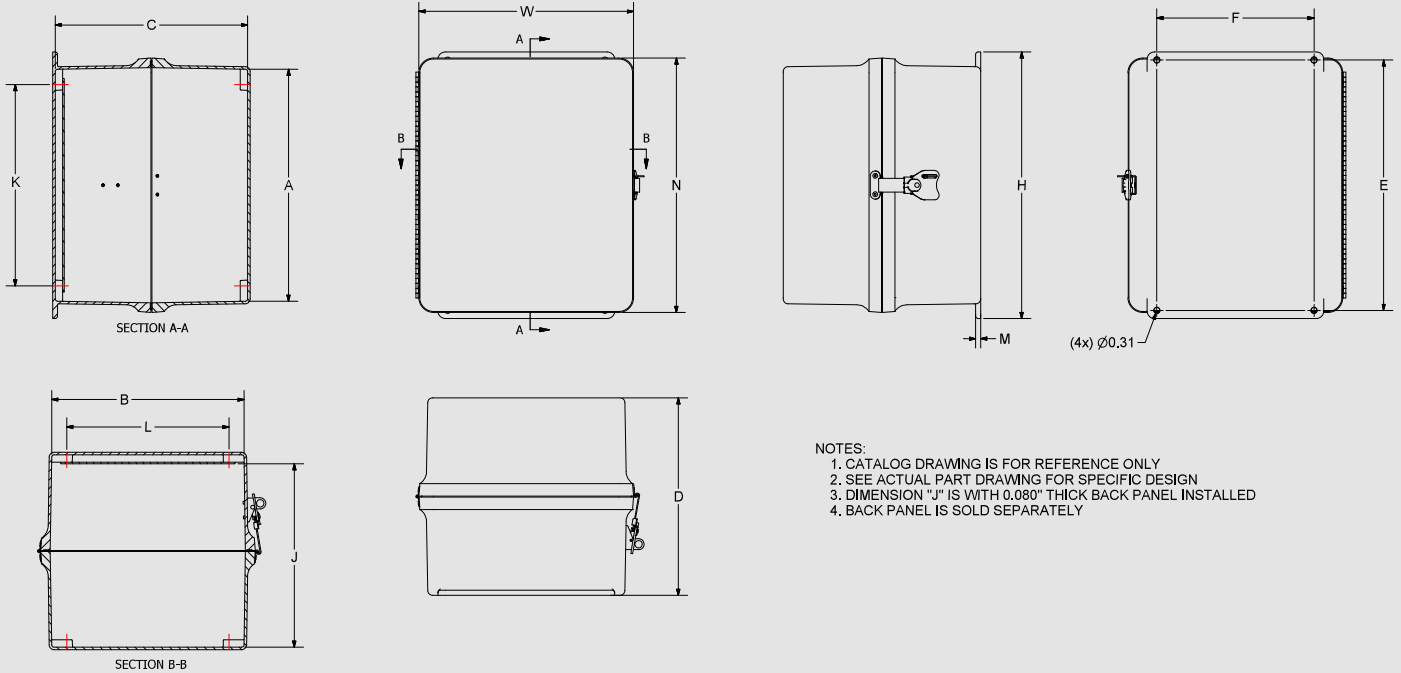
<b>Custom Colors</b>	pg. 21-22
<b>Silk Screening</b>	pg. 21-22
<b>EMI/RFI Shielding</b>	pg. 21-22
<b>Custom Window</b>	pg. 21-22
<b>Custom Cutouts/Holes</b>	pg. 21-22

### SSH Industry Standards

<b>NEMA 250, UL Listed UL50, UL50e, UL508A</b>	File E64358 Type 1, 3R, 4X, 12
<b>CSA Std C22.2</b>	File LR069014 Type 1, 3R, 4X, 12
<b>IEC60529</b>	File E362920 IP66
<b>UL1741</b>	File E333478
<b>Temperature Range</b>	(-76° F to +274° F) (-60° C to +134° C)
<b>Flammability Rating</b>	UL94-5V
<b>Self Extinguishing</b>	Non-halogenated, non-flame propagating
<b>Chemical Resistance</b>	Full chemical resistance charts listed in appendix
<b>NFPA No. 101 Flame Spread</b>	Class A (1)
<b>Outdoor Exposure UL746C</b>	(f1) Rated

### SSH Accessories

<b>BACK PANELS</b>	<b>Aluminum</b>	BP_AL	pg. 174-175
	<b>Fiberglass</b>	BP_FG	pg. 174-175
	<b>Stainless Steel</b>	BP_SS	pg. 174-175
	<b>Carbon Steel</b>	BP_CS	pg. 174-175
<b>ACCESSORIES</b>	<b>Drain &amp; Breather Vents</b>		pg. 185
	<b>Hole Plugs</b>		pg. 187
	<b>Assorted Hubs and Cord Grips</b>		pg. 188-189
	<b>All Other Accessories</b>		pg. 184-194



- NOTES:  
 1. CATALOG DRAWING IS FOR REFERENCE ONLY  
 2. SEE ACTUAL PART DRAWING FOR SPECIFIC DESIGN  
 3. DIMENSION "J" IS WITH 0.080" THICK BACK PANEL INSTALLED  
 4. BACK PANEL IS SOLD SEPARATELY

### SCREW SIZES & TORQUE VALUES

PRODUCT SIZES	BACK PANEL SCREW SIZE	BACK PANEL RECOMMENDED TORQUE	RECOMMENDED MOUNTING FLANGE TORQUE
ALL SIZES	#10-32 x 3/8	16 - 20 in-lbs	45 in-lbs max

## FatBoy Series – Opaque Cover

CATALOG NUMBER	OVERALL H x W x D	INSIDE A x B x C	MOUNTING E x F	J	K	L	M	N	HOLE DIA.	SHIP WEIGHT	PANEL NUMBER
J8068SSH	9.63 x 6.85 x 9.06 (245 x 174 x 230)	7.73 x 5.74 x 8.94 (196 x 146 x 227)	8.88 x 4.00 (225 x 101)	8.36 (212)	6.25 (159)	4.25 (108)	.25 (6)	8.87 (225)	.31 (8)	5.3 lbs.	BP86*
J8088SSH	9.56 x 8.84 x 9.44 (243 x 225 x 240)	7.73 x 7.73 x 9.19 (196 x 196 x 233)	8.75 x 6.00 (222 x 152)	8.61 (219)	6.25 (159)	6.25 (159)	.25 (6)	8.84 (224)	.31 (8)	5.8 lbs.	BP88*
J10088SSH	11.63 x 8.84 x 8.09 (295 x 225 x 206)	9.73 x 7.73 x 7.84 (247 x 196 x 199)	10.75 x 6.00 (273 x 152)	7.39 (188)	8.25 (210)	6.25 (159)	.25 (6)	10.86 (276)	.31 (8)	6.5 lbs.	BP108*
J121010SSH	13.56 x 10.93 x 10.06 (344 x 278 x 256)	11.79 x 9.80 x 9.81 (299 x 249 x 249)	12.75 x 8.00 (324 x 203)	9.36 (238)	10.25 (260)	8.25 (210)	.25 (6)	12.95 (329)	.31 (8)	9.1 lbs.	BP1210*
J121212SSH	13.56 x 12.84 x 12.38 (344 x 326 x 314)	11.70 x 11.70 x 12.13 (297 x 297 x 308)	12.75 x 10.00 (324 x 254)	11.55 (293)	10.25 (260)	10.25 (260)	.25 (6)	12.84 (326)	.31 (8)	12.1 lbs.	BP1212*
J141212SSH	15.50 x 12.83 x 12.06 (394 x 326 x 306)	13.50 x 11.52 x 11.81 (343 x 293 x 300)	14.63 x 10.00 (372 x 254)	11.23 (285)	12.25 (311)	10.25 (260)	.25 (6)	14.88 (378)	.31 (8)	14.1 lbs.	BP1412*
J161412SSH	17.53 x 14.94 x 12.07 (445 x 379 x 307)	15.60 x 13.56 x 11.82 (396 x 344 x 300)	16.75 x 12.00 (425 x 305)	11.24 (285)	14.25 (362)	12.25 (311)	.25 (6)	16.95 (431)	.31 (8)	17.6 lbs.	BP1614*
J181617SSH	19.63 x 16.92 x 17.19 (499 x 430 x 437)	17.69 x 15.69 x 16.81 (449 x 399 x 427)	18.88 x 12.00 (479 x 305)	16.38 (416)	16.25 (413)	14.25 (362)	.25 (6)	18.92 (481)	.31 (8)	26.4 lbs.	BP1816*
J201617SSH	22.00 x 17.00 x 17.21 (559 x 432 x 437)	19.72 x 15.72 x 16.84 (501 x 399 x 428)	21.25 x 10.00 (540 x 254)	16.38 (416)	18.25 (464)	14.25 (362)	.25 (6)	21.00 (533)	.31 (8)	28.5 lbs.	BPJ2016*

Caution: Metric units are for reference; do not convert.



\*Panel sold separately