



# Flush Bonded Window



**CONFIGURATION**  
Hinged, padlock latch



## HPL Construction

<b>Material</b>	SolarGuard® – Hot compression molded fiberglass reinforced polyester (thermoset)
<b>Gasket</b>	Poured polyurethane seamless gasket provides watertight, dust-tight environmental seal
<b>Stainless Steel Hardware</b>	300 Series stainless used on all external hardware
<b>Molded in Mounting Flange</b>	Molded in flange for ease of mounting.
<b>Mounting Bosses</b>	Panel mounting capability for fixed rear panel
<b>Metal Inserts</b>	Back panel utilizes threaded brass inserts accepting 10-32 screws
<b>Bonded Window</b>	Precision routed flush bonded Super Abrasion Resistant acrylic material for maximum visibility
<b>Color</b>	Available standard glacier grey (PMS 428C)

## HPL Modifications

<b>Custom Colors</b>	pg. 21-22
<b>Silk Screening</b>	pg. 21-22
<b>EMI/RFI Shielding</b>	pg. 21-22
<b>Custom Window</b>	pg. 21-22
<b>Custom Cutouts/Holes</b>	pg. 21-22

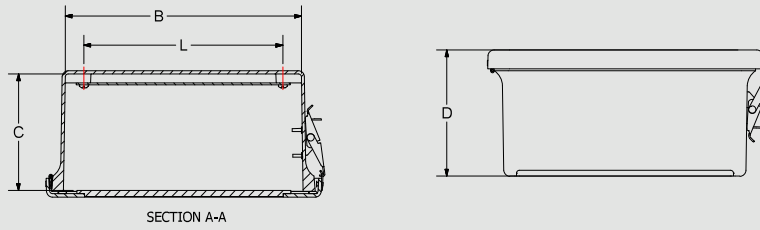
## HPL Industry Standards

<b>NEMA 250, UL Listed UL50, UL50e, UL508A</b>	File E64358 Type 1, 3R, 4X, 6P*, 12
<b>CSA Std C22.2</b>	File LR069014; Type 1, 3R, 4X, 6P*, 12
<b>IEC 60529</b>	File E362920 IP66; IP 6X for 3PT
<b>UL1741</b>	File E333478; W, HW, HPL, FHW
<b>Plenum Space (UL2043) Compliant</b>	Yes
<b>Temperature Range</b>	(-76° F to +274° F) (-60° C to +134° C)
<b>Temperature Range Window</b>	(-26° F to +170° F) (-32° C to +76° C)
<b>Flammability Rating</b>	UL94-5V
<b>Impact Rating</b>	IK10
<b>Self Extinguishing</b>	Non-halogenated, non-flame propagating
<b>Chemical Resistance</b>	Full chemical resistance charts listed in appendix
<b>NFPA No. 101 Flame Spread</b>	Class A (1)
<b>Outdoor Exposure UL746C</b>	(f1) Rated

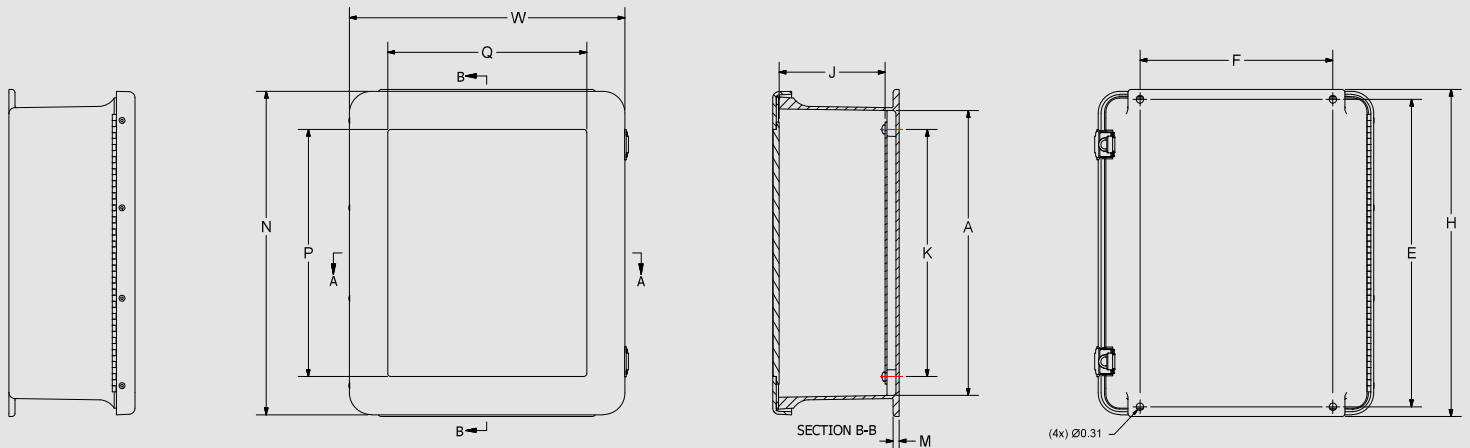
## HPL Accessories

<b>PANELS</b>	<b>Aluminum</b>	BP_AL	pg. 174-175
	<b>Fiberglass</b>	BP_FG	pg. 174-175
	<b>Stainless Steel</b>	BP_SS	pg. 174-175
	<b>Carbon Steel</b>	BP_CS	pg. 174-175
<b>ACCESSORIES</b>	<b>Dead Front Panels</b>		pg. 180-181
	<b>Drain &amp; Breather Vents</b>		pg. 185
	<b>Hole Plugs</b>		pg. 187
	<b>Assorted Hubs and Cord Grips</b>		pg. 188-189
	<b>All Other Accessories</b>		pg. 184-194

\* Consult Factory on available sizes.



- NOTES:  
 1. CATALOG DRAWING IS FOR REFERENCE ONLY  
 2. SEE ACTUAL PART DRAWING FOR SPECIFIC DESIGN  
 3. NOTE "J" DIMENSION IS WITH 0.080" THICK BACK PANEL  
 4. BACK PANEL IS SOLD SEPARATELY



SCREW SIZES & TORQUE VALUES

PRODUCT SIZES	BACK PANEL SCREW SIZE	BACK PANEL RECOMMENDED TORQUE	COVER SCREW SIZE	COVER SCREW RECOMMENDED TORQUE	RECOMMENDED MOUNTING FLANGE TORQUE
J604 up to J2016	#10-32 x 3/8	16 - 20 in-lbs	#10-24 x 5/8	20 - 24 in-lbs	45 in-lbs max

JW Series – Flush Bonded Window

CATALOG NUMBER	OVERALL H X W X D	INSIDE A X B X C	WINDOW AREA (MAX) P X Q	MOUNTING E X F	J	K	L	M	N	HOLE DIA.	SHIP WEIGHT	PANEL NUMBER
JW604HPL JW604HLL	7.47 x 5.45 x 4.70 (190 x 138 x 119)	5.84 x 3.85 x 4.34 (148 x 98 x 110)	4.25 x 2.25 (108 x 57)	6.75 x 2.00 (171 x 51)	3.97 (101)	4.25 (108)	2.25 (57)	0.25 (6)	7.39 (188)	0.31 (8)	2.40 lbs.	BP64**
JW606HPL JW606HLL	7.50 x 7.53 x 4.82 (191 x 191 x 122)	5.72 x 5.72 x 4.34 (145 x 145 x 110)	4.25 x 4.25 (108 x 108)	6.75 x 4.00 (171 x 101)	3.97 (101)	4.25 (108)	4.25 (108)	0.25 (6)	7.53 (191)	0.31 (8)	2.80 lbs.	BP66**
JW806HPL JW806HLL	9.63 x 7.52 x 4.70 (245 x 191 x 119)	7.73 x 5.74 x 4.34 (196 x 146 x 110)	6.25 x 4.25 (159 x 108)	8.88 x 4.00 (225 x 101)	3.92 (100)	6.25 (159)	4.25 (108)	0.25 (6)	9.5 (242)	0.31 (8)	3.50 lbs.	BP86**
JW808HLL	9.56 x 9.38 x 4.87 (243 x 238 x 124)	7.73 x 7.73 x 4.52 (196 x 196 x 115)	6.25 x 6.25 (159 x 159)	8.75 x 6.00 (222 x 152)	3.98 (101)	6.25 (159)	6.25 (159)	0.25 (6)	9.38 (238)	0.31 (8)	3.80 lbs.	BP88**

All measures are in inches, items in parentheses are in millimeters.

\*Crowned cover – center of cover raised 3/4"

\*\*Panel sold separately



## JW Series – Flush Bonded Window

CATALOG NUMBER	OVERALL H X W X D	INSIDE A X B X C	WINDOW AREA (MAX) P X Q	MOUNTING E X F	J	K	L	M	N	HOLE DIA.	SHIP WEIGHT	PANEL NUMBER
JW1008HPL JW1008HLL	11.63 x 9.41 x 4.22 (295 x 239 x 107)	9.73 x 7.73 x 3.85 (247 x 196 x 98)	8.25 x 6.25 (210 x 159)	10.75 x 6.00 (273 x 152)	3.44 (87)	8.25 (210)	6.25 (159)	0.25 (6)	11.35 (288)	0.31 (8)	4.60 lbs.	BP108**
JW1008HAPL* Crowned Cover	11.63 x 9.37 x 5.05 (295 x 238 x 129)	9.73 x 7.73 x 4.70 (247 x 196 x 119)	8.25 x 6.25 (210 x 159)	10.75 x 6.00 (273 x 152)	4.25 (108)	8.25 (210)	6.25 (159)	0.25 (6)	11.38 (289)	0.31 (8)	4.70 lbs.	BP108**
JW100806HPL JW100806HLL	11.97 x 9.42 x 6.61 (304 x 239 x 165)	9.74 x 7.74 x 6.25 (248 x 197 x 159)	8.25 x 6.25 (210 x 159)	10.94 - 10.75 x 6.00 (278 - 273 x 152)	5.67 (141)	8.25 (210)	6.25 (159)	0.25 (6)	11.42 (290)	0.31 (8)	5.20 lbs.	BP108**
JW1210HPL JW1210HLL	13.56 x 11.43 x 5.22 (344 x 291 x 133)	11.79 x 9.80 x 4.85 (299 x 249 x 123)	10.25 x 8.25 (260 x 210)	12.75 x 8.00 (324 x 203)	4.50 (114)	10.25 (260)	8.25 (210)	0.25 (6)	13.41 (341)	0.31 (8)	6.60 lbs.	BP1210**
JW1212HPL JW1212HLL	13.56 x 13.38 x 6.34 (344 x 340 x 161)	11.70 x 11.70 x 5.99 (297 x 297 x 152)	10.25 x 10.25 (260 x 260)	12.75 x 10.00 (324 x 254)	5.51 (140)	10.25 (260)	10.25 (260)	0.25 (6)	13.38 (340)	0.31 (8)	8.40 lbs.	BP1212**
JW1407HPL	15.87 x 8.75 x 6.81 (403 x 222 x 173)	14.00 x 7.00 x 6.5 (356 x 178 x 165)	12.75 x 5.75 (324 x 146)	15.00 x 5.00 (381 x 127)	6.11 (155)	12.25 (311)	5.25 (133)	0.25 (6)	15.75 (400)	0.31 (8)	6.10 lbs.	BP1407**
JW1412HPL JW1412HLL	15.50 x 13.48 x 6.20 (394 x 342 x 158)	13.50 x 11.52 x 5.88 (343 x 293 x 149)	12.25 x 10.25 (311 x 260)	14.63 x 10.00 (372 x 254)	5.36 (137)	12.25 (311)	10.25 (260)	0.25 (6)	15.48 (393)	0.31 (8)	9.90 lbs.	BP1412**
JW1614HPL JW1614HLL	17.53 x 15.46 x 6.21 (445 x 393 x 157)	15.60 x 13.56 x 5.88 (396 x 344 x 149)	14.25 x 12.25 (362 x 311)	16.75 x 12.00 (425 x 305)	5.35 (136)	14.25 (362)	12.25 (311)	0.25 (6)	17.46 (444)	0.31 (8)	12.20 lbs.	BP1614**
JW1816HPL JW1816HLL	19.63 x 17.63 x 8.81 (499 x 447 x 224)	17.69 x 15.69 x 8.38 (449 x 399 x 213)	16.25 x 14.25 (413 x 362)	18.88 x 12.00 (479 x 305)	7.98 (203)	16.25 (413)	14.25 (362)	0.25 (6)	19.61 (498)	0.31 (8)	20.00 lbs.	BP1816**
JW2016HPL JW2016HLL	22.00 x 17.68 x 8.81 (559 x 449 x 224)	19.72 x 15.72 x 8.47 (501 x 399 x 215)	18.25 x 14.25 (464 x 362)	21.25 x 10.00 (540 x 254)	7.98 (203)	18.25 (464)	14.25 (362)	0.25 (6)	21.68 (551)	0.31 (8)	22.50 lbs.	BPJ2016**

All measures are in inches, items in parentheses are in millimeters.



\*Crowned cover – center of cover raised 3/4"



\*\*Panel sold separately