



# Flush Bonded Window

**SSH CONFIGURATION**  
Hinged, padlock latch



## SSH Construction

<b>Material</b>	SolarGuard® – Hot compression molded fiberglass reinforced polyester (thermoset)
<b>Gasket</b>	Poured polyurethane seamless gasket provides watertight, dust-tight environmental seal
<b>Stainless Steel Hardware</b>	300 Series stainless used on all external hardware
<b>Molded in Mounting Flange</b>	Molded in flange for ease of mounting
<b>Mounting Bosses</b>	Panel mounting capability for fixed rear panel
<b>Metal Inserts</b>	Back panel utilizes threaded brass inserts accepting 10-32 screws
<b>Soft Edge Design</b>	Rounded edges, minimal protrusions or exposed pocket areas for assembly of dust and debris
<b>Bonded Window</b>	Precision routed flush bonded Super Abrasion Resistant acrylic material for maximum visibility
<b>Color</b>	Available standard glacier grey (PMS 428C)

## SSH Modifications

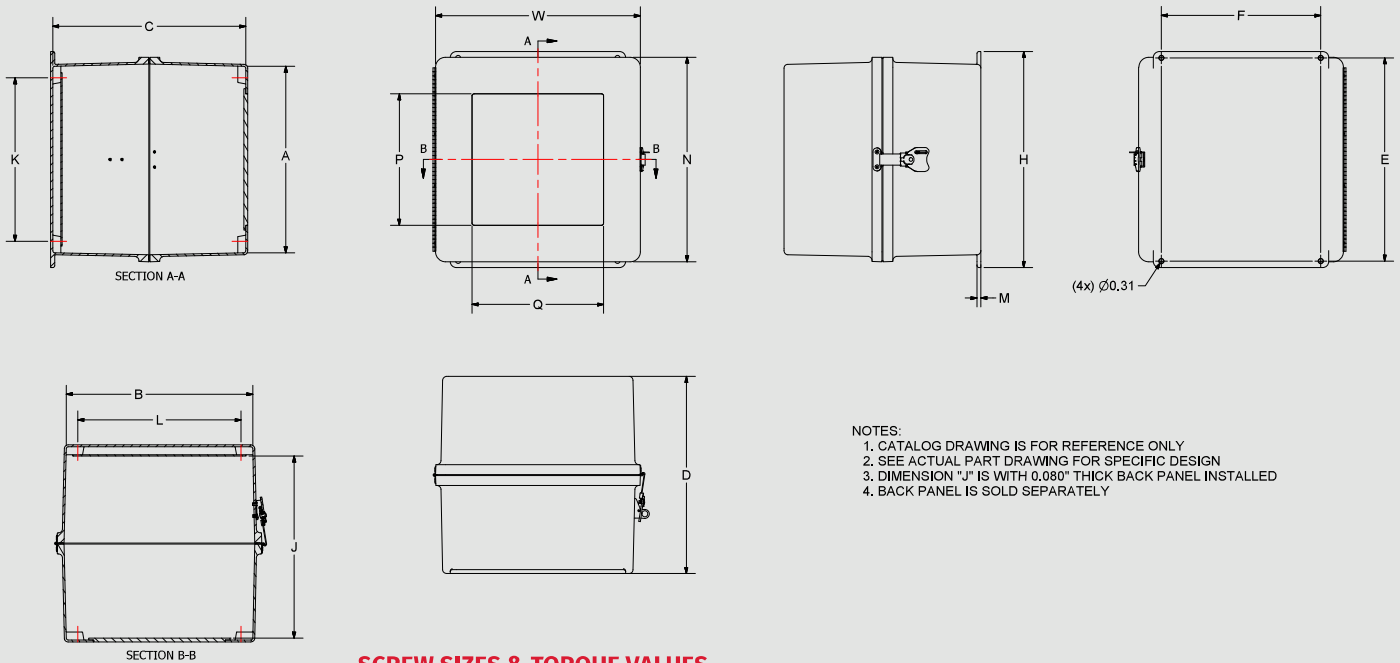
<b>Custom Colors</b>	pg. 21-22
<b>Silk Screening</b>	pg. 21-22
<b>EMI/RFI Shielding</b>	pg. 21-22
<b>Custom Window</b>	pg. 21-22
<b>Custom Cutouts/Holes</b>	pg. 21-22

## SSH Industry Standards

<b>NEMA 250, UL Listed UL50, UL50e, UL508A</b>	File E64358 Type 1, 3R, 4X, 12
<b>CSA Std C22.2</b>	File LR069014 Type 1, 3R, 4X, 12
<b>IEC60529</b>	File E362920 IP66
<b>UL1741</b>	File E333478
<b>Temperature Range</b>	(-76° F to +274° F) (-60° C to +134° C)
<b>Temperature Range Window</b>	(-26° F to +170° F) (-32° C to +76° C)
<b>Flammability Rating</b>	UL94-5V
<b>Self Extinguishing</b>	Non-halogenated, non-flame propagating
<b>Chemical Resistance</b>	Full chemical resistance charts listed in appendix
<b>NFPA No. 101 Flame Spread</b>	Class A (1)
<b>Outdoor Exposure UL746C</b>	(f1) Rated

## SSH Accessories

<b>BACK PANELS</b>	<b>Aluminum</b>	BP_AL	pg. 174-175
	<b>Fiberglass</b>	BP_FG	pg. 174-175
	<b>Stainless Steel</b>	BP_SS	pg. 174-175
	<b>Carbon Steel</b>	BP_CS	pg. 174-175
<b>ACCESSORIES</b>	<b>Drain &amp; Breather Vents</b>		pg. 185
	<b>Hole Plugs</b>		pg. 187
	<b>Assorted Hubs and Cord Grips</b>		pg. 188-189
	<b>All Other Accessories</b>		pg. 184-194



- NOTES:  
 1. CATALOG DRAWING IS FOR REFERENCE ONLY  
 2. SEE ACTUAL PART DRAWING FOR SPECIFIC DESIGN  
 3. DIMENSION "J" IS WITH 0.080" THICK BACK PANEL INSTALLED  
 4. BACK PANEL IS SOLD SEPARATELY

### SCREW SIZES & TORQUE VALUES

PRODUCT SIZES	BACK PANEL SCREW SIZE	BACK PANEL RECOMMENDED TORQUE	COVER SCREW SIZE	COVER SCREW RECOMMENDED TORQUE	RECOMMENDED MOUNTING FLANGE TORQUE
J604 up to J2016	#10-32 x 3/8	16 - 20 in-lbs	#10-24 x 5/8	20 - 24 in-lbs	45 in-lbs max
J2020 up to J2424	1/4-20 x 1/2	20 - 24 in-lbs	N/A	N/A	80 in-lbs max

## FatBoy Series – Flush Bonded Window

CATALOG NUMBER	OVERALL H x W x D	INSIDE A x B x C	MOUNTING E x F	J	K	L	M	N	WINDOW AREA P x Q	HOLE DIA.	SHIP WEIGHT	PANEL NUMBER
JW8088SSH	9.56 x 8.84 x 9.44 (243 x 225 x 240)	7.73 x 7.73 x 9.19 (196 x 196 x 233)	8.75 x 6.00 (222 x 152)	8.61 (219)	6.25 (159)	6.25 (159)	.25 (6)	8.84 (224)	4.875 x 4.875 (124 x 124)	.31 (8)	5.8 lbs.	BP88*
JW10088SSH	11.63 x 8.84 x 8.09 (295 x 225 x 206)	9.73 x 7.73 x 7.84 (247 x 196 x 199)	10.75 x 6.00 (273 x 152)	7.39 (188)	8.25 (210)	6.25 (159)	.25 (6)	10.86 (276)	6.875 x 4.875 (175 x 124)	.31 (8)	6.5 lbs.	BP108*
JW121010SSH	13.56 x 10.93 x 10.06 (344 x 278 x 256)	11.79 x 9.80 x 9.81 (299 x 249 x 249)	12.75 x 8.00 (324 x 203)	9.36 (238)	10.25 (260)	8.25 (210)	.25 (6)	12.95 (329)	8.875 x 6.875 (225 x 175)	.31 (8)	9.1 lbs.	BP1210*
JW121212SSH	13.56 x 12.84 x 12.38 (344 x 326 x 314)	11.70 x 11.70 x 12.13 (297 x 297 x 308)	12.75 x 10.00 (324 x 254)	11.55 (293)	10.25 (260)	10.25 (260)	.25 (6)	12.84 (326)	8.875 x 8.875 (225 x 225)	.31 (8)	12.1 lbs.	BP1212*
JW141212SSH	15.50 x 12.83 x 12.06 (394 x 326 x 306)	13.50 x 11.52 x 11.81 (343 x 293 x 300)	14.63 x 10.00 (372 x 254)	11.23 (285)	12.25 (311)	10.25 (260)	.25 (6)	14.88 (378)	10.875 x 8.875 (276 x 225)	.31 (8)	14.1 lbs.	BP1412*
JW161412SSH	17.53 x 14.94 x 12.07 (445 x 379 x 307)	15.60 x 13.56 x 11.82 (396 x 344 x 300)	16.75 x 12.00 (425 x 305)	11.24 (285)	14.25 (362)	12.25 (311)	.25 (6)	16.95 (431)	12.25 x 10.25 (311 x 260)	.31 (8)	17.6 lbs.	BP1614*
JW181617SSH	19.63 x 16.92 x 17.19 (499 x 430 x 437)	17.69 x 15.69 x 16.81 (449 x 399 x 427)	18.88 x 12.00 (479 x 305)	16.38 (416)	16.25 (413)	14.25 (362)	.25 (6)	18.92 (481)	14.875 x 12.875 (378 x 327)	.31 (8)	26.4 lbs.	BP1816*
JW201617SSH	22.00 x 17.00 x 17.21 (559 x 432 x 437)	19.72 x 15.72 x 16.84 (501 x 399 x 428)	21.25 x 10.00 (540 x 254)	16.38 (416)	18.25 (464)	14.25 (362)	.25 (6)	21.00 (533)	16.875 x 12.875 (429 x 327)	.31 (8)	28.5 lbs.	BPJ2016*

Caution: Metric units are for reference; do not convert.



\*Panel sold separately