



Flush Bonded Window



CONFIGURATION

Hinged, padlock latch



HPL Construction

Material	SolarGuard® – Hot compression molded fiberglass reinforced polyester (thermoset)
Gasket	Poured polyurethane seamless gasket provides watertight, dust-tight environmental seal
Stainless Steel Hardware	300 Series stainless used on all external hardware
Molded in Mounting Flange	Integral flange molded in place for ease of mounting
Mounting Bosses	Panel mounting capability for fixed rear panel
Metal Inserts	Back panel utilizes threaded brass inserts accepting 10-32 screws
Bonded Window	Precision routed flush bonded Super Abrasion Resistant acrylic material for maximum visibility
Raised Cover	Extended depth in cover
Color	Available standard glacier grey (PMS 428C)

HPL Modifications

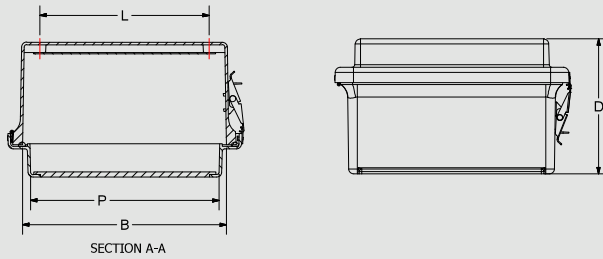
Custom Colors	pg. 21-22
Silk Screening	pg. 21-22
EMI/RFI Shielding	pg. 21-22
Custom Window	pg. 21-22
Custom Cutouts/Holes	pg. 21-22

HPL Industry Standards

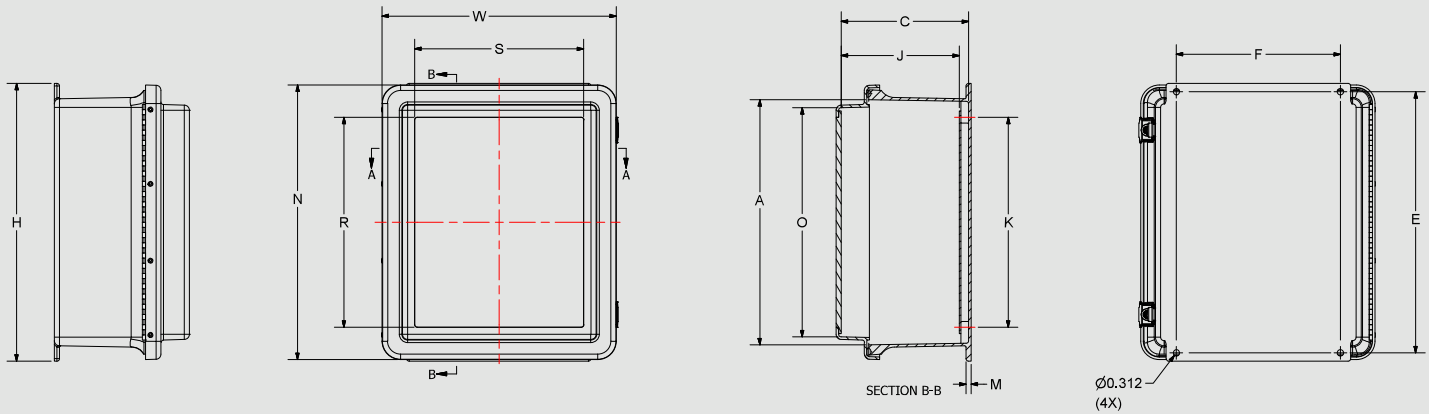
NEMA 250, UL Listed UL50, UL50e, UL508A	File E64358; Type 1, 3R, 4X, 6P, 12
CSA Std C22.2	File LR069014; Type 1, 3R, 4X, 6P, 12
IEC 60529	File E362920 IP66
UL1741	File E333478; W, HW, HPL, FHW
Plenum Space (UL2043) Compliant	Yes
Temperature Range	(-76°F to +274°F) (-60°C to +134°C)
Window Temperature Range	(-26°F to +170°F) (-32°C to +76°C)
Flammability Rating	UL94-5V
Self Extinguishing	Non-halogenated, Non-flame propagating
Chemical Resistance	Full chemical resistance charts listed in appendix
NFPA No. 101 Flame Spread	Class A (1)
Outdoor Exposure UL746C	(f1) Rated

HPL Accessories

PANELS	Aluminum	BP_AL	pg. 174-175
	Fiberglass	BP_FG	pg. 174-175
	Stainless Steel	BP_SS	pg. 174-175
	Carbon Steel	BP_CS	pg. 174-175
	Dead Front Panels		pg. 180-181
ACCESSORIES	Drain & Breather Vents		pg. 185
	Hole Plugs		pg. 187
	Assorted Hubs and Cord Grips		pg. 188-189
	All Other Accessories		pg. 184-194



- NOTES:
 1. CATALOG DRAWING IS FOR REFERENCE ONLY
 2. SEE ACTUAL PART DRAWING FOR SPECIFIC DESIGN
 3. "J" DIMENSION IS WITH 0.080" THICK BACK PANEL INSTALLED
 4. BACK PANEL SOLD SEPARATELY



SCREW SIZES & TORQUE VALUES

PRODUCT SIZES	BACK PANEL SCREW SIZE	BACK PANEL RECOMMENDED TORQUE	COVER SCREW SIZE	COVER SCREW RECOMMENDED TORQUE	RECOMMENDED MOUNTING FLANGE TORQUE
RJW604 up to RJW2016	#10-32 x 3/8	16 - 20 in-lbs	#10-24 x 5/8	20 - 24 in-lbs	45 in-lbs max

RJW Series – Flush Bonded Window

CATALOG NUMBER	OVERALL H X W X D	INSIDE A X B X C	WINDOW AREA (MAX) R X S	MOUNTING E X F	J	K	L	M	N	O	P	HOLE DIA.	SHIP WT.	PANEL NUMBER
RJW604HPL	7.47 x 5.47 x 6.21 (190 x 139 x 158)	5.84 x 3.85 x 5.81 (148 x 98 x 148)	4.25 x 2.25 (108 x 57)	6.75 x 2.00 (171 x 51)	5.51 (140)	4.25 (108)	2.25 (57)	0.25 (6)	7.45 (189)	5.31 (135)	3.34 (85)	0.31 (8)	2.60 lbs.	BP64*
RJW606HPL	7.50 x 7.53 x 6.32 (191 x 191 x 161)	5.72 x 5.72 x 5.97 (145 x 145 x 152)	4.25 x 4.25 (108 x 108)	6.75 x 4.00 (171 x 101)	5.49 (139)	4.25 (108)	4.25 (108)	0.25 (6)	7.53 (191)	5.34 (136)	5.31 (135)	0.31 (8)	3.10 lbs.	BP66*
RJW806HPL	9.63 x 7.52 x 6.20 (245 x 191 x 158)	7.73 x 5.74 x 5.97 (196 x 146 x 152)	6.25 x 4.25 (159 x 108)	8.88 x 4.00 (225 x 101)	5.49 (139)	6.25 (159)	4.25 (108)	0.25 (6)	9.36 (238)	7.25 (185)	5.28 (134)	0.31 (8)	3.70 lbs.	BP86*
RJW808HPL	9.56 x 9.38 x 6.25 (243 x 238 x 159)	7.73 x 7.73 x 5.97 (196 x 196 x 152)	6.25 x 6.25 (159 x 159)	8.75 x 6.00 (222 x 152)	5.42 (138)	6.25 (159)	6.25 (159)	0.25 (6)	9.38 (238)	7.17 (182)	7.17 (182)	0.31 (8)	4.20 lbs.	BP88*

All measures are in inches, items in parentheses are in millimeters.



*Panel sold separately



RJW Series – Flush Bonded Window

CATALOG NUMBER	OVERALL H X W X D	INSIDE A X B X C	WINDOW AREA (MAX) R X S	MOUNTING E X F	J	K	L	M	N	O	P	HOLE DIA.	SHIP WT.	PANEL NUMBER
RJW1008HPL RJW1008HLL	11.63 x 9.37 x 6.58 (295 x 238 x 167)	9.73 x 7.73 x 6.25 (247 x 196 x 159)	8.25 x 6.25 (210 x 159)	10.75 x 6.00 (273 x 152)	5.87 (149)	8.25 (209)	6.25 (159)	0.25 (6)	11.38 (289)	9.3 (236)	7.38 (188)	0.31 (8)	5.20 lbs.	BP108*
RJW1210HPL RJW1210HLL	13.56 x 11.43 x 6.58 (344 x 291 x 167)	11.79 x 9.80 x 6.31 (299 x 249 x 160)	10.25 x 8.25 (260 x 210)	12.75 x 8.00 (324 x 203)	5.87 (149)	10.25 (260)	8.25 (210)	0.25 (6)	13.41 (341)	11.2 (284)	9.23 (234)	0.31 (8)	6.70 lbs.	BP1210*
RJW1212HPL RJW1212HLL	13.56 x 13.38 x 7.72 (344 x 340 x 196)	11.70 x 11.70 x 7.34 (297 x 297 x 186)	10.25 x 10.25 (260 x 260)	12.75 x 10.00 (324 x 254)	6.89 (175)	10.25 (260)	10.25 (260)	0.25 (6)	13.38 (340)	11.17 (284)	11.17 (284)	0.31 (8)	8.90 lbs.	BP1212*
RJW1412HPL RJW1412HLL	15.50 x 13.38 x 7.69 (394 x 340 x 195)	13.52 x 11.52 x 7.34 (343 x 293 x 186)	12.25 x 10.25 (311 x 260)	14.63 x 10.00 (372 x 254)	6.86 (174)	12.25 (311)	10.25 (260)	0.25 (6)	15.42 (392)	13.2 (335)	11.16 (284)	0.31 (8)	10.20 lbs.	BP1412*
RJW1614HPL RJW1614HLL	17.53 x 15.43 x 7.68 (445 x 392 x 195)	15.60 x 13.56 x 7.34 (396 x 344 x 186)	14.25 x 12.25 (362 x 311)	16.75 x 12.00 (425 x 305)	6.85 (174)	14.25 (362)	12.25 (311)	0.25 (6)	17.43 (443)	15.2 (386)	13.24 (336)	0.31 (8)	12.30 lbs.	BP1614*
RJW1816HPL RJW1816HLL	19.63 x 17.63 x 10.63 (499 x 444 x 270)	17.69 x 15.69 x 10.18 (449 x 399 x 259)	16.25 x 14.25 (413 x 362)	18.88 x 12.00 (479 x 305)	9.86 (250)	16.25 (413)	14.25 (362)	0.25 (6)	19.49 (495)	17.25 (438)	15.25 (387)	0.31 (8)	19.50 lbs.	BP1816*
RJW2016HPL	22.00 x 17.56 x 10.63 (559 x 446 x 270)	19.72 x 15.72 x 10.59 (501 x 399 x 269)	18.25 x 14.25 (464 x 362)	21.25 x 10.00 (540 x 254)	9.86 (250)	18.25 (464)	14.25 (362)	0.25 (6)	21.56 (548)	19.31 (490)	15.39 (391)	0.31 (8)	21.40 lbs.	BPJ2016*

All measures are in inches, items in parentheses are in millimeters.



*Panel sold separately