



Opaque Cover



CONFIGURATION
4 cover screws, lift off cover



W Construction

Material (Box & Cover)	Polycarbonate
Gasket Material	Poured polyurethane seamless gasket
Cover Screw Material	304 Stainless Steel
Cover Screw Size	Various
Cover Screw Torque	M4: 9-17 in.-lbs., M6: 17-22 in.-lbs.
Color	Available standard in RAL 7035

W Modifications

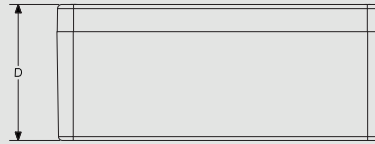
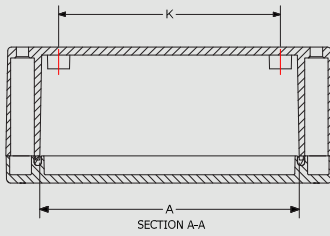
Silk Screening	pg. 21-22
Custom Cutouts/Holes	pg. 21-22

W Industry Standards

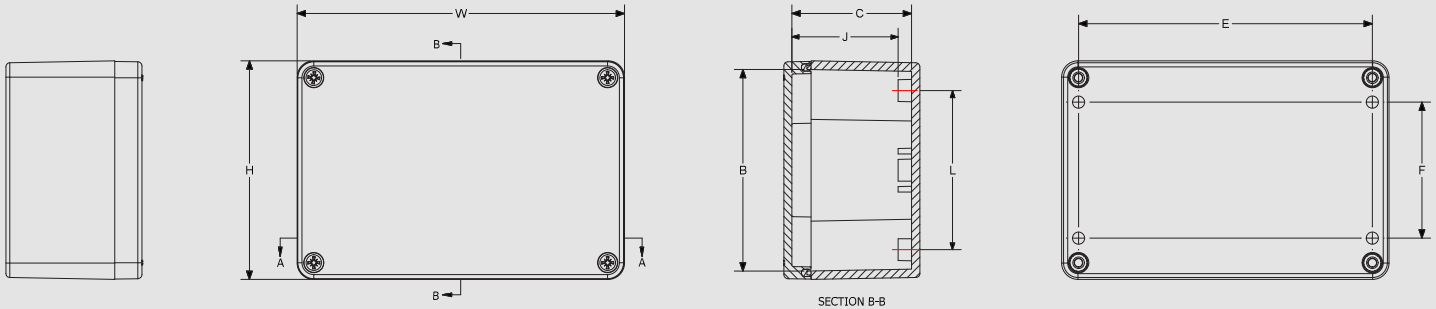
NEMA 250, cULus Listed UL50, UL50e, UL508A	File # E64358 Type 1, 3R, 4, 4X, 12
IEC 60529 Ratings	IP66 Per UL File# E362920
Temperature Range	(-40°F to +212°F) (-40°C to +100°C)
Flammability Rating	UL94-V2
Self Extinguishing	Non-Halogenated
Chemical Resistance	See chart pg. 198-204
Outdoor Exposure (UL 746C)	(F1) Rated

W Accessories

PANELS	Phenolic Resin Hard Paper Back Panel	BPS__P	pg. 177
	All Other Accessories		pg. 184-194



- NOTES:
 1. CATALOG DRAWING IS FOR REFERENCE ONLY.
 2. SEE ACTUAL PART DRAWING FOR SPECIFIC DESIGN.
 3. SOME SIZES HAVE (2) COVER SCREWS;
 SOME SIZES HAVE (4) COVER SCREWS;
 SOME SIZES HAVE (6) COVER SCREWS.
 4. MOUNTING BOSSSES ALSO CHANGE BETWEEN PARTS.
 5. NOTE J DIMENSION IS WITHOUT BACK PANEL INSTALLED.



SCREW SIZES & TORQUE VALUES

PRODUCT SIZES	BACK PANEL SCREW SIZE	BACK PANEL RECOMMENDED TORQUE	COVER SCREW SIZE	COVER SCREW RECOMMENDED TORQUE	RECOMMENDED MOUNTING FLANGE TORQUE
All Sizes	Plastite 48 #8	12-16 IN-LBS	M4	9-17 IN - LBS	25-30 IN-LBS
All Sizes	Plastite 48 #8	12-16 IN-LBS	M6	17-22 IN-LBS	25-30 IN-LBS

Starke Series – Opaque Cover

CATALOG NUMBER	OVERALL H X W X D	INSIDE A X B X C	MOUNTING E X F	J	K	L	SHIP WEIGHT	PANEL NUMBER
ST060555W	2.56 x 1.97 x 2.17 (65 x 50 x 55)	2.36 x 1.77 x 1.93 (60 x 45 x 49)	2.07 x 1.50 (53 x 38)	1.73 (44)	1.50 (38)	N/A	0.18 lbs.	BPS0605P
ST090603W	3.86 x 2.52 x 1.46 (98 x 64 x 37)	3.54 x 2.20 x 1.93 (90 x 56 x 49)	3.39 x 2.05 (86 x 52)	1.10 (28)	3.19 (81)	N/A	0.25 lbs.	N/A
ST080805W	3.23 x 3.15 x 2.17 (82 x 80 x 55)	3.03 x 2.95 x 1.93 (77 x 75 x 49)	2.76 x 1.97 (70 x 50)	1.73 (44)	2.28 (58)	2.28 (58)	0.32 lbs.	BPS0808P
ST080809W	3.23 x 3.15 x 3.35 (82 x 80 x 85)	3.03 x 2.95 x 3.11 (77 x 75 x 79)	2.76 x 1.97 (70 x 50)	2.91 (74)	1.73 (44)	2.28 (58)	0.40 lbs.	BPS0808P
ST080810W	3.23 x 3.15 x 3.74 (82 x 80 x 95)	3.03 x 2.95 x 3.50 (77 x 75 x 89)	2.76 x 1.97 (70 x 50)	2.91 (74)	1.73 (44)	2.28 (58)	0.44 lbs.	BPS0808P
ST128055W	4.72 x 3.15 x 2.17 (120 x 80 x 55)	4.49 x 2.91 x 1.93 (114 x 74 x 49)	4.25 x 1.97 (108 x 50)	1.73 (44)	3.78 (96)	2.32 (59)	0.39 lbs.	BPS1280P
ST128080W	4.72 x 3.15 x 3.15 (120 x 80 x 80)	4.49 x 2.91 x 2.95 (114 x 74 x 75)	4.25 x 1.97 (108 x 50)	2.76 (70)	3.23 (82)	2.32 (59)	0.44 lbs.	BPS1280P
ST128010W	4.72 x 3.15 x 3.94 (120 x 80 x 100)	4.49 x 2.91 x 3.74 (114 x 74 x 95)	4.25 x 1.97 (108 x 50)	3.58 (91)	3.23 (82)	2.32 (59)	0.55 lbs.	BPS1280P



Starke Series – Opaque Cover

CATALOG NUMBER	OVERALL H X W X D	INSIDE A X B X C	MOUNTING E X F	J	K	L	SHIP WEIGHT	PANEL NUMBER
ST168055W	6.30 x 3.15 x 2.17 (160 x 80 x 55)	6.10 x 2.91 x 1.93 (155 x 74 x 49)	5.83 x 1.97 (148 x 50)	1.73 (44)	4.80 (122)	2.28 (58)	0.50 lbs.	BPS1680P
ST168090W	6.30 x 3.15 x 3.54 (160 x 80 x 90)	6.10 x 2.91 x 3.31 (155 x 74 x 84)	5.83 x 1.97 (148 x 50)	3.11 (79)	4.80 (122)	2.28 (58)	0.65 lbs.	BPS1680P
ST121255W	4.80 x 4.72 x 2.17 (122 x 120 x 55)	4.57 x 4.49 x 1.97 (116 x 114 x 50)	4.33 x 3.54 (110 x 90)	1.73 (44)	3.31 (84)	3.86 (98)	0.52 lbs.	BPS1212P
ST121275W	4.80 x 4.72 x 2.95 (122 x 120 x 75)	4.57 x 4.49 x 2.72 (116 x 114 x 69)	4.33 x 3.54 (110 x 90)	2.52 (64)	3.31 (84)	3.86 (98)	0.65 lbs.	BPS1212P
ST121211W	4.80 x 4.72 x 4.13 (122 x 120 x 105)	4.57 x 4.49 x 3.94 (116 x 114 x 100)	4.33 x 3.54 (110 x 90)	3.74 (95)	3.31 (84)	3.86 (98)	0.76 lbs.	BPS1212P
ST161255W	6.30 x 4.72 x 2.17 (160 x 120 x 55)	6.06 x 4.69 x 1.93 (154 x 114 x 49)	5.87 x 3.46 (149 x 88)	1.65 (42)	4.76 (121)	3.58 (91)	0.63 lbs.	BPS1612P
ST161290W	6.30 x 4.72 x 3.54 (160 x 120 x 90)	6.06 x 4.69 x 3.31 (154 x 114 x 84)	5.87 x 3.46 (149 x 88)	3.03 (77)	4.76 (121)	3.58 (91)	0.84 lbs.	BPS1612P
ST161214W	6.30 x 4.72 x 5.51 (160 x 120 x 140)	6.06 x 4.69 x 5.24 (154 x 114 x 133)	5.87 x 3.46 (149 x 88)	5.00 (127)	4.76 (121)	3.58 (91)	1.23 lbs.	BPS1612P
ST201275W	7.87 x 4.72 x 2.95 (200 x 120 x 75)	7.64 x 4.69 x 2.68 (194 x 114 x 68)	7.40 x 3.46 (188 x 88)	2.44 (62)	6.30 (160)	3.54 (90)	0.93 lbs.	BPS2012P
ST201290W	7.87 x 4.72 x 3.54 (200 x 120 x 90)	7.64 x 4.69 x 3.27 (194 x 114 x 83)	7.40 x 3.46 (188 x 88)	3.03 (77)	6.30 (160)	3.54 (90)	1.05 lbs.	BPS2012P
ST201510W	7.87 x 5.91 x 3.94 (200 x 150 x 100)	7.64 x 5.67 x 3.70 (194 x 144 x 94)	7.40 x 3.46 (188 x 119)	3.50 (89)	6.30 (160)	4.65 (118)	1.26 lbs.	BPS2015P
STC201513W	7.87 x 5.91 x 4.92 (200 x 150 x 125)	7.64 x 5.67 x 4.69 (194 x 144 x 119)	7.40 x 3.46 (188 x 119)	4.25 (108)	6.30 (160)	4.65 (118)	1.52 lbs.	BPS2015P
ST251690W	9.84 x 6.30 x 3.54 (250 x 160 x 90)	9.61 x 6.06 x 3.31 (244 x 154 x 84)	9.37 x 5.12 (238 x 130)	3.11 (79)	8.35 (212)	5.12 (130)	1.41 lbs.	BPS2516P
ST251611W	9.84 x 6.30 x 4.53 (250 x 160 x 115)	9.61 x 6.06 x 4.29 (244 x 154 x 109)	9.37 x 5.12 (238 x 130)	4.09 (104)	8.39 (213)	5.12 (130)	1.88 lbs.	BPS2516P
ST251612W	9.84 x 6.30 x 4.72 (250 x 160 x 120)	9.61 x 6.06 x 4.49 (244 x 154 x 114)	9.37 x 5.12 (238 x 130)	4.29 (109)	8.35 (212)	5.12 (130)	1.78 lbs.	BPS2516P
ST251615W	9.84 x 6.30 x 5.91 (250 x 160 x 150)	9.61 x 6.06 x 5.67 (244 x 154 x 144)	9.37 x 5.12 (238 x 130)	5.47 (139)	8.35 (212)	5.12 (130)	2.14 lbs.	BPS2516P