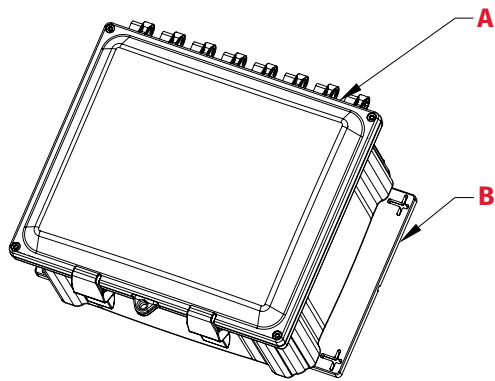


PolyStar® Polycarbonate Enclosures with Mounting Flange Installation Instructions

Mounting flange kits are designed to be installed on Stahlin polycarbonate enclosures to serve as a means of attachment during enclosure installation. These flanges include a mounting cross (instead of holes) for added flexibility of screw placement.



A - ENCLOSURE
B - MOUNTING FLANGE

FIG 1

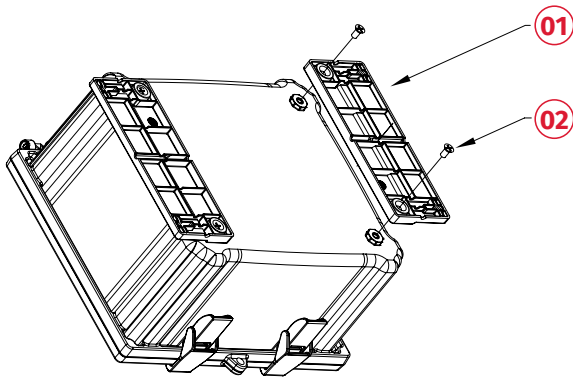


FIG 2



INSTRUCTIONS

1. Place mounting flange on backside of enclosure with the countersunk hole facing outwards.
2. Locate hexagon of enclosure and mounting flange (FIG 2).
3. Secure flange to enclosure using the 1/4"-20 x 0.5 screw provided.
4. Tighten screws with torque between 20 to 24 lbs/in.
5. Repeat steps 1-4 to complete installation.

PARTS OF KIT

DIAGRAM #	DESCRIPTION	MATERIAL	QTY
01	Mounting Flange	Polycarbonate	2
02	1/4"-20 x 0.5 Countersunk Screw	SS 304	4