

Installation Instructions

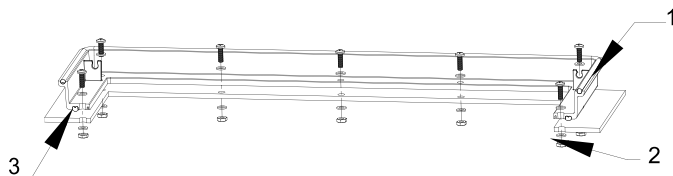
SolarShield™ HMI Cover

HMICVR1611/C and HMICVR2014/C

Step 1

Attach Base to Enclosure

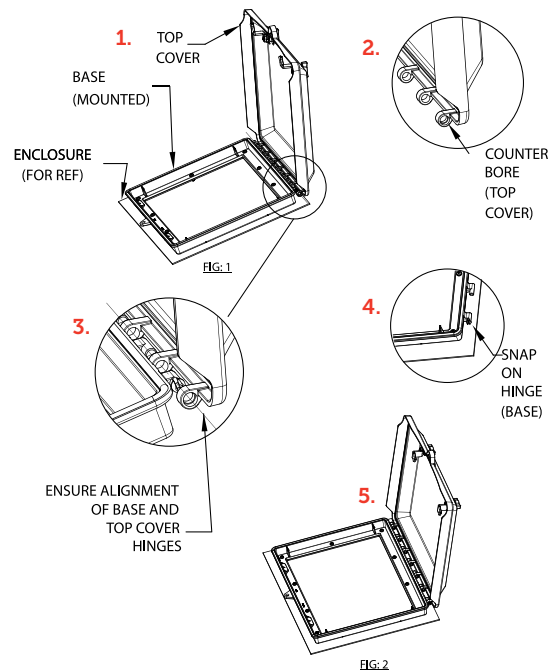
1. The product is intended for installation over HMI/operator interface devices.
2. The HMI cover may be installed either horizontally or vertically. Hinge operation can be up, down, left, or right.
3. Use the provided self adhesive transparent drill template to accurately drill mounting holes on the surface of enclosure with maximum thickness of 0.2625". For attachment to enclosures or surfaces with thickness greater than 0.2625, customer provided hardware is necessary.
4. Simply paste the sticker in the desired location on the enclosure cover and drill 19/64" holes in the hole positions shown on the included drilling template.
5. Remove the sticker after the holes are drilled and ensure the enclosure surface and HMI cover base gasket are clean and free of dirt and debris. This allows the HMI cover to sit flush on the enclosure surface.
6. Mount the HMI cover using provided hardware and the newly drilled holes in the enclosure surface. (Included hardware: #10-32 stainless steel screws, washers and nuts). Alternative hardware: M5 stainless steel screws, washers and nuts).
7. Screws should be tightened with torque between 20-24 in-lbs.



Step 2

Attach Top Cover to Base

1. Mount the base to enclosure using the provided hardware. Align the base and top cover hinge points at both ends (Fig: 1).
2. Ensure the arrow portion of base hinge is oriented to the corresponding counter bore provided in the top cover.
3. Caution: Ensure all hinge pins on the base slide into the respective top cover hinge positions.
4. Firmly push the cover until the base hinge snaps into the top cover.
5. Ensure smooth opening and closing of assembled top cover (Fig: 2).



Installation Instructions

Step 3 (Optional)

Attach Inner-Doors to Base

1. Place the inner-door to be installed in horizontal position (Fig: 1).
2. Align the inner-door with base ensuring its orientation. The snap lock portion of the inner door gets securely locked with matching groove provided on the base rib projection.
3. Apply hand pressure to push in the snap portion of the inner-door to lock onto the base at two places (Fig: 2).
4. Ensure smooth opening and closing of assembled inner door.
5. Leaving the assembled door open, repeat steps 1 to 3 for the installation of the next door.

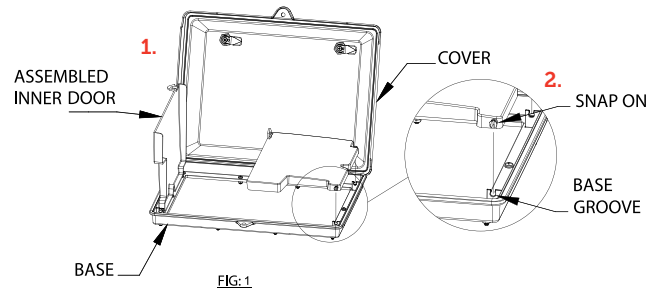


FIG:1

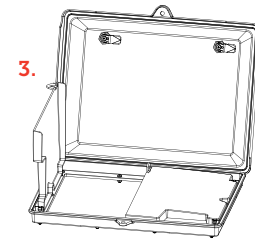


FIG:2

Parts List

POS	Description	QTY	Remarks
1	HMI Cover Assembly with Locking Hasp	1	Base, cover, and inner doors shipped unassembled or assembled
2	Hardware Kit	1	Refer table for kit parts
3	Panel/Enclosure (Not Included)	1	Drill according to provided template

* Inner doors not included on all "C" (clear) cover assemblies*

Kit Parts In Pouch

S. No	Description	Material	QTY	
			2014	1611
05	#10-32 X 3/4 Screw/M5X20MM	SS 304	14	10
04	#10-32 Washers/M5	SS 304	28	20
03	#10-32 Nut/M5	SS 304	14	10
02	Sticker Template	Self Adhesive Film	1	1
01	Installation Instructions	Paper	1	1