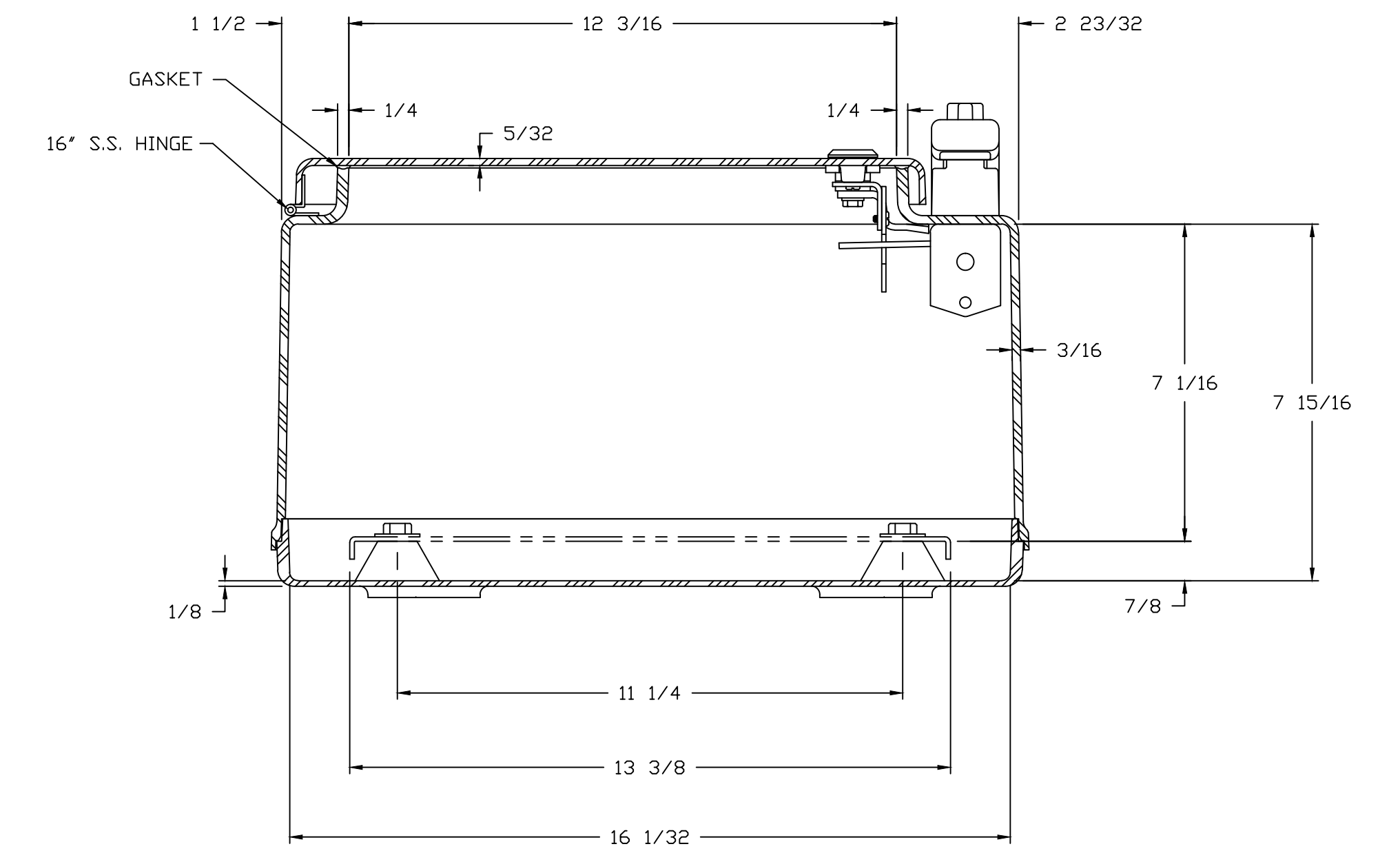
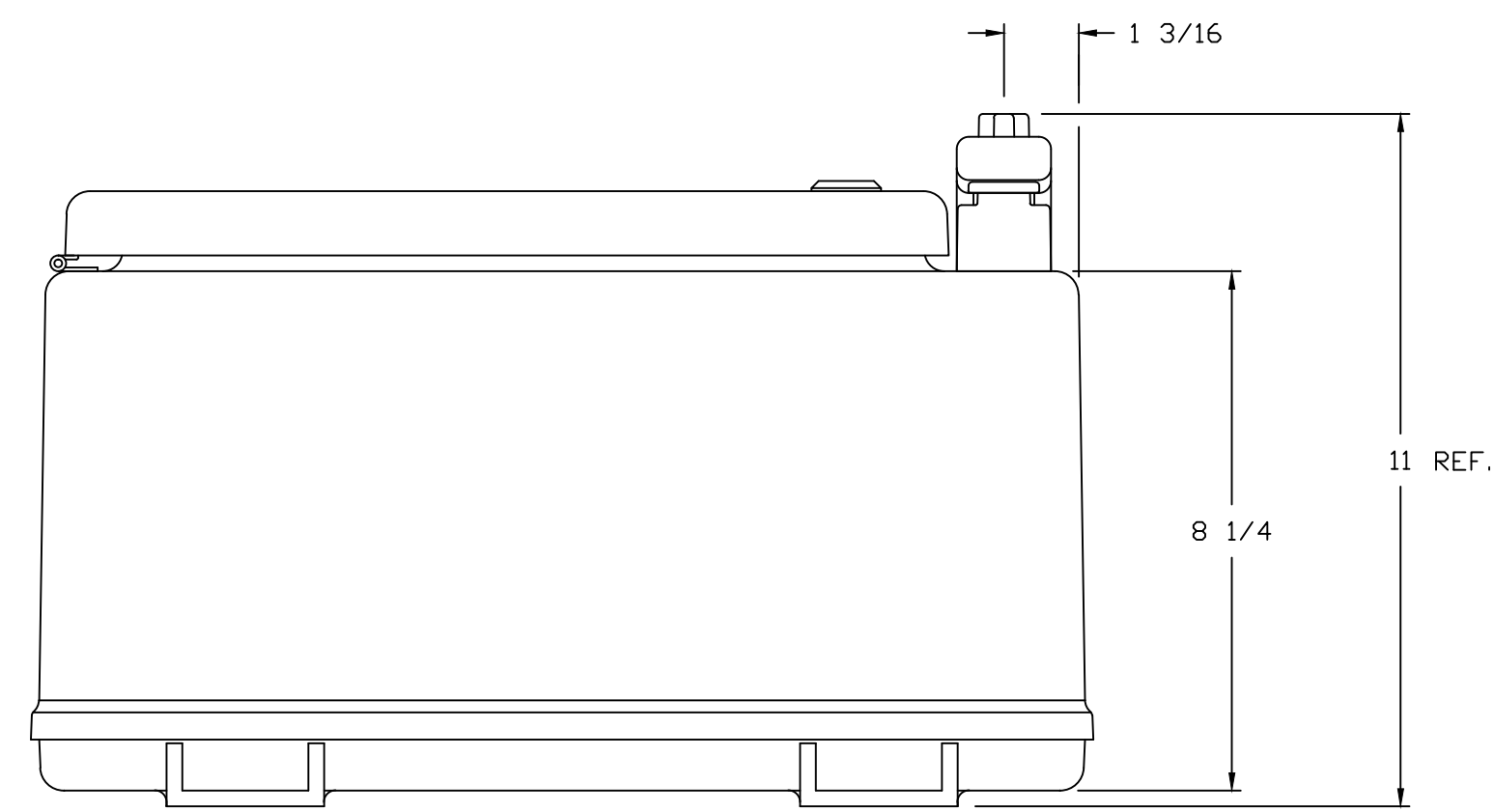



SECTION B-B



SECTION A-A

NOTES:

NEMA 4X		TOLERANCES UNLESS SPECIFIED		DECIMAL ± .010	FRACTIONAL ± 1/32
MATERIAL		DR. BY	DATE	 STAHLIN ENCLOSURES DIVISION OF ROBOBY INDUSTRIES	
COLD: GLACIER GRAY RR1013		GF	7/26/89		
F.R. POLYESTER FIBERGLASS		CHK. BY	DATE	CUSTOMER	AutoCAD DWG. FILE
LET.	REVISION RECORD	DATE	BY	CHD.	C2016
				APD. BY	DATE
				SCALE	PART NAME
				DO NOT SCALE	ENCLOSURE
				PART NO.	C2016

BELDING, MICHIGAN 48809