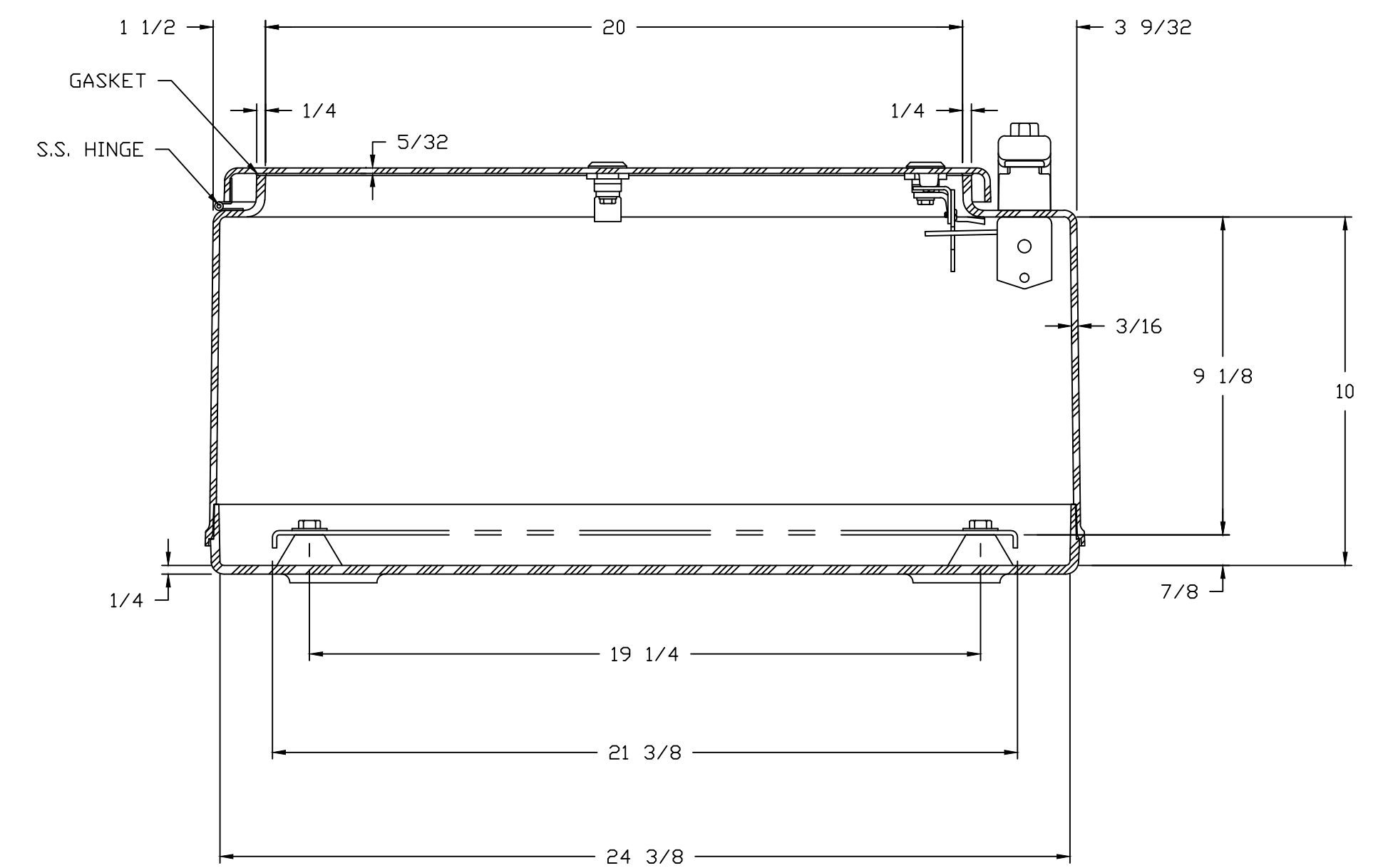
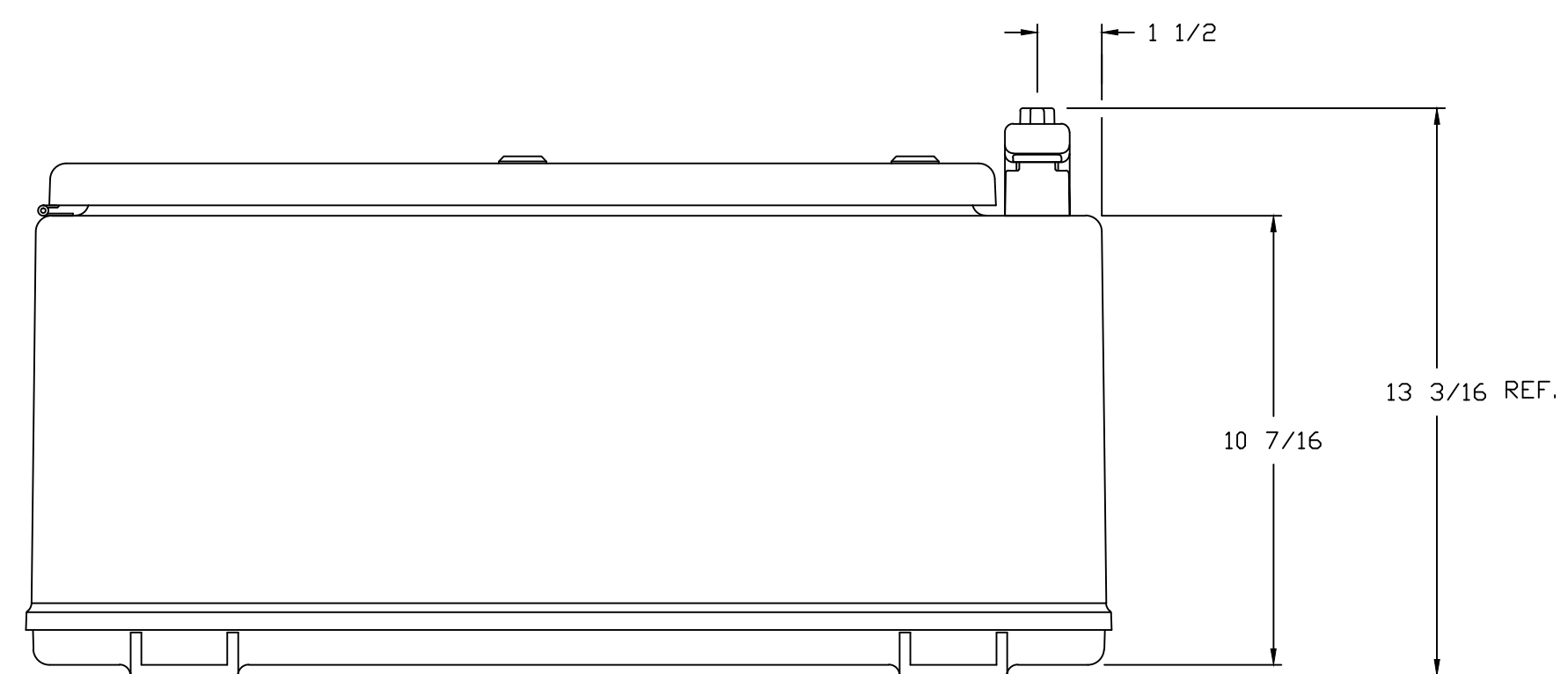


SECTION B-B



SECTION A-A

NOTES:

NEMA 4X		TOLERANCES UNLESS SPECIFIED		DECIMAL ± .010	FRACTIONAL ± 1/32
COLOR: GLACIER GRAY RR1013					
MATERIAL	F.R. POLYESTER FIBERGLASS	DR. BY	GF	DATE	6/26/91
LET.	REVISION RECORD	DATE	BY	CHD.	CHK. BY
					DATE
					APD. BY
					DATE
					CUSTOMER
					AutoCAD DWG. FILE
					C2424
					SCALE
					DD NDT SCALE
					PART NAME
					ENCLOSURE
					PART NO.
					C2424

STAHLIN ENCLOSURES  
DIVISION OF ROBOBY INDUSTRIES  
BELDING, MICHIGAN 48809