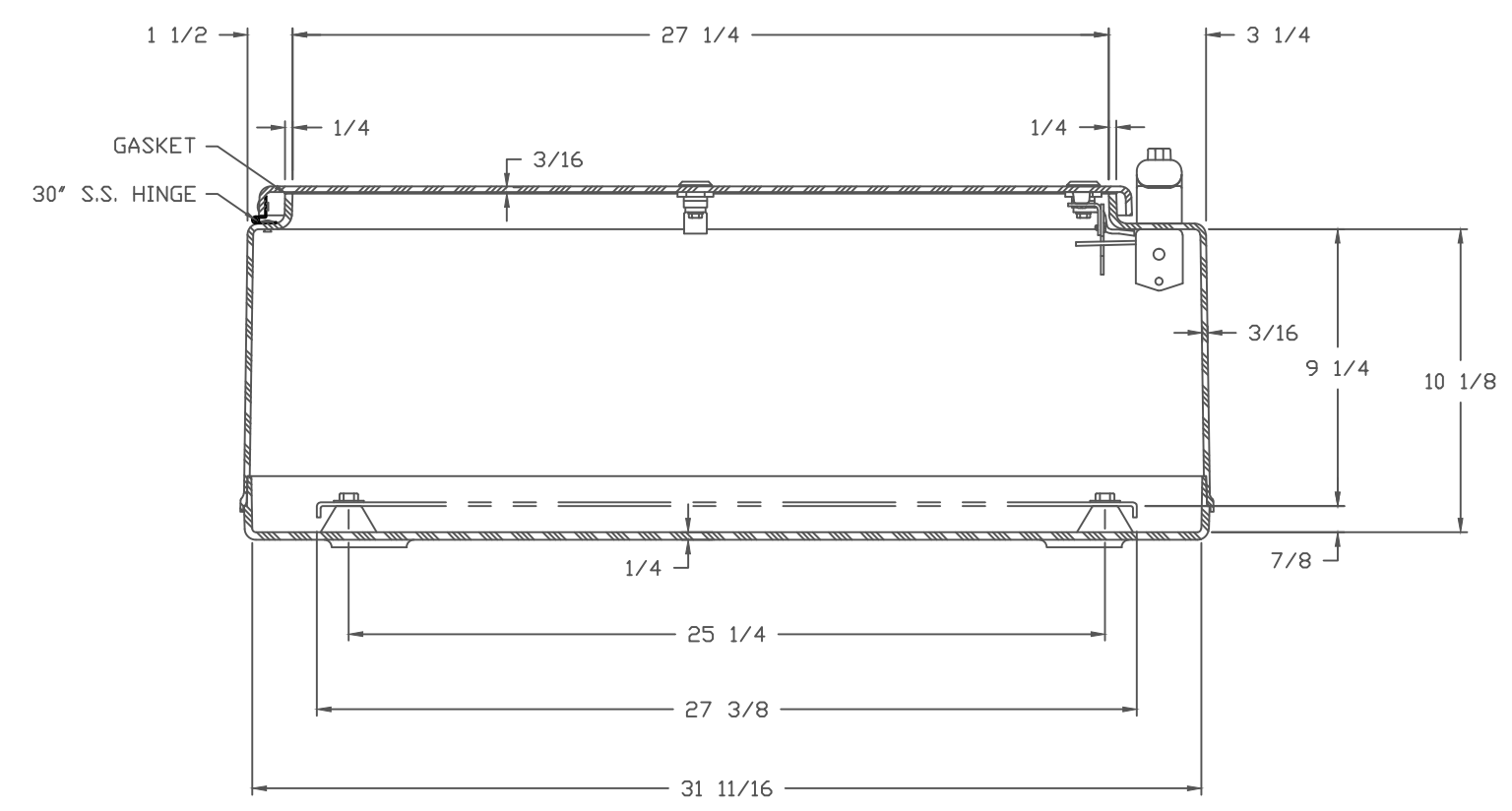


SECTION B-B



SECTION A-A

NOTES:

NEMA 4X		TOLERANCES	DECIMAL	FRACTIONAL
COLOR: GLACIER GRAY RR1013		UNLESS SPECIFIED ±.010 ± 1/32		
MATERIAL	F.R. POLYESTER FIBERGLASS	DR. BY	DATE	
		GF	6/25/91	
LET.	REVISION RECORD	CHK. BY	DATE	
		APB. BY	DATE	
		SCALE	PART NAME	CUSTOMER
		DO NOT SCALE	ENCLOSURE	AutoCAD DWG FILE
			PART NO.	C3630

Stahlin Non-Metallic Enclosures