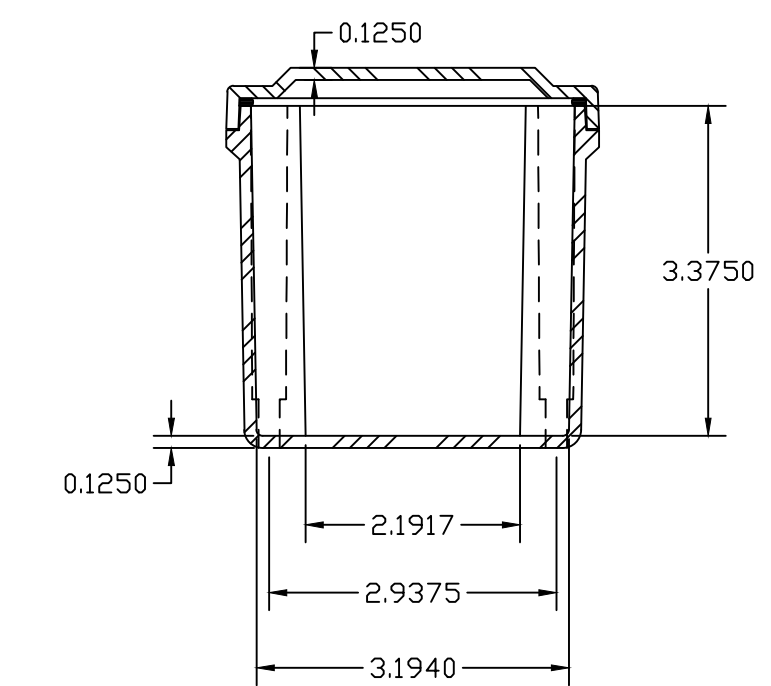
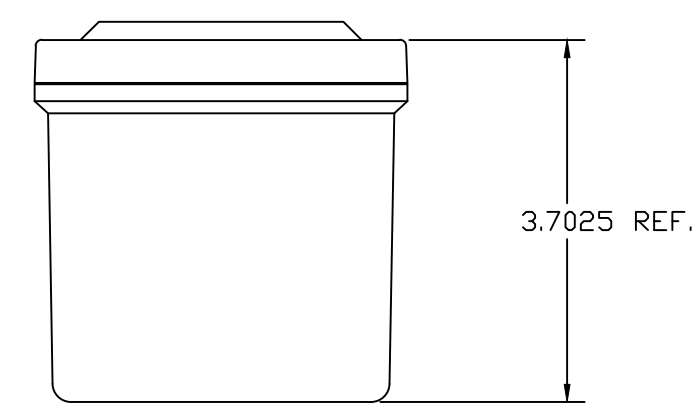


SECTION B-B



SECTION A-A

NOTES:										
NEMA 4X							TOLERANCES UNLESS SPECIFIED		DECIMAL ± .010	FRACTIONAL ± 1/32
COLOR GLACIER GRAY RR1013										
MATERIAL				DR. BY	DATE	SH		7/16/91		
F.R. POLYESTER FIBERGLASS				CHK. BY	DATE					
LET.	REVISION RECORD			DATE	BY	CHD.	APD. BY	DATE	CUSTOMER	
									AutoCAD DWG. FILE	
									CF1144	
SCALE				PART NAME		PART NO.				
DO NOT SCALE				ENCLOSURE		CF1144				

