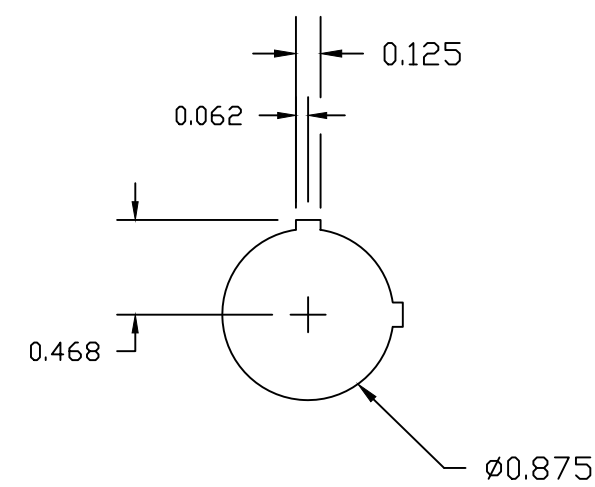
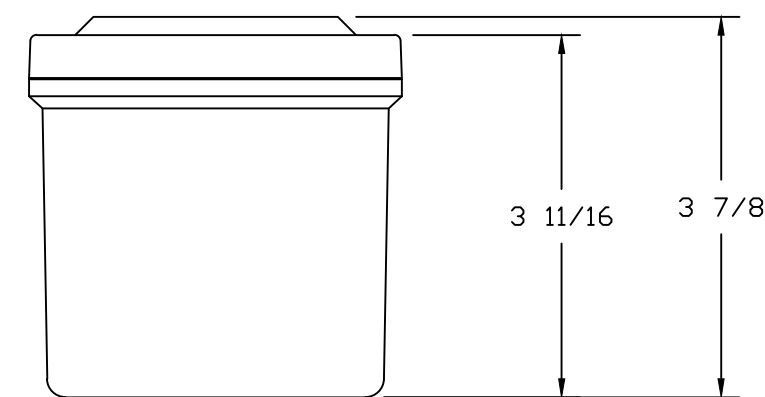
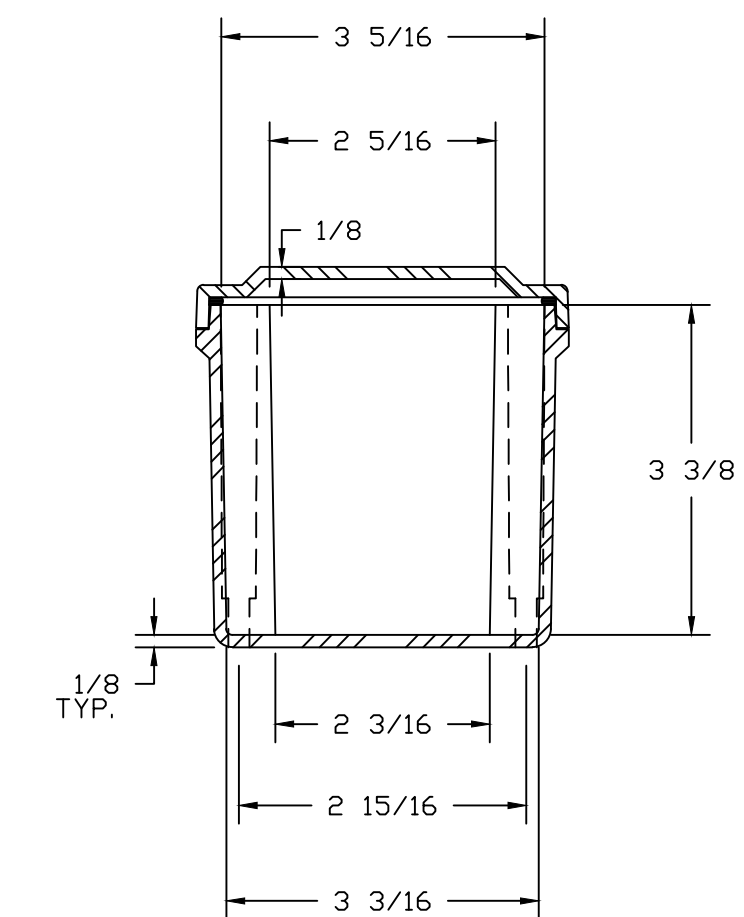


SECTION B-B




HOLE DETAIL
4 PLC'S.



SECTION A-A

NOTES:

NEMA 4X COLOR: GLACIER GRAY RR1013						TOLERANCES UNLESS SPECIFIED		DECIMAL ±.010	FRACTIONAL ± 1/32
GROUND STRAP TO BE FURNISHED WITH ENCLOSURE									
MATERIAL F.R. POLYESTER FIBERGLASS				DR. BY SH	DATE 7/17/91			BELDING, MICHIGAN 48809 AutoCAD DWG. FILE CF4PB-22	
LET.	REVISION RECORD	DATE	BY	CHK. BY	DATE				
				APD. BY	DATE	CUSTOMER			
SCALE DO NOT SCALE						PART NAME ENCLOSURE		PART NO. CF4PB-22	