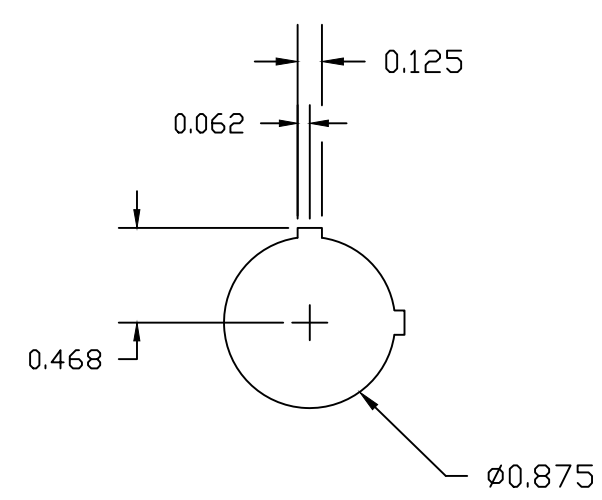
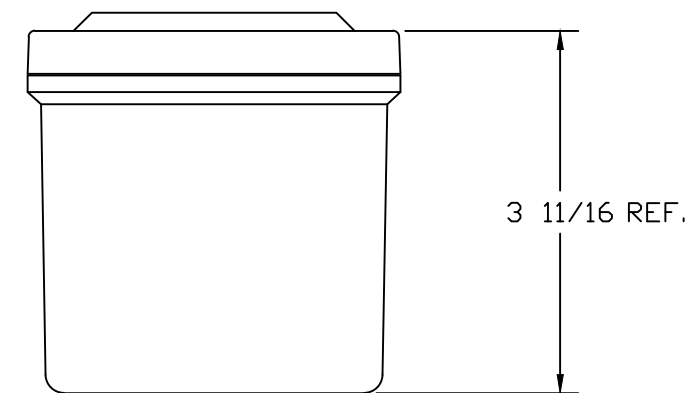
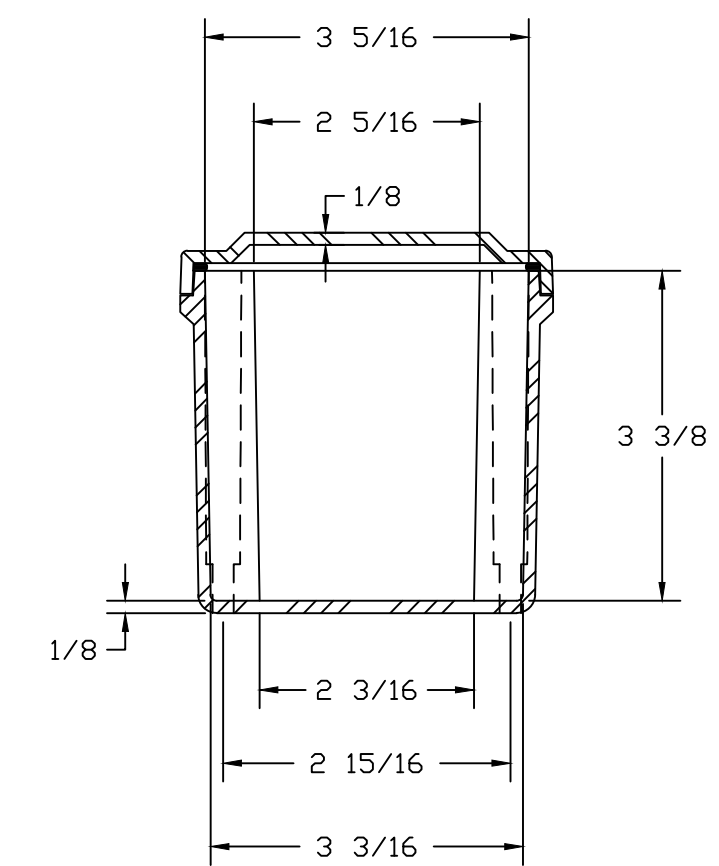


SECTION B-B




HOLE DETAIL  
5 PLC'S.



SECTION A-A

NOTES:

NEMA 4X (COLD GLACIER GRAY RR1013)		ENCLOSURE TO HAVE GROUND STRAP PACKED INSIDE		TOLERANCES UNLESS SPECIFIED	DECIMAL ±.010	FRACTIONAL ± 1/32
MATERIAL	F.R. POLYESTER FIBERGLASS	DR. BY	SH	DATE	02/25/92	
LET.	REVISION RECORD	DATE	BY	CHD.	CHK. BY	DATE
					APD. BY	DATE
		SCALE		PART NAME		PART NO.
		DO NOT SCALE		ENCLOSURE		CF5PB-22



**STAHLIN**  
ENCLLOSURES  
DIVISION OF ROBBY INDUSTRIES

BELDING, MICHIGAN 48809

AutoCAD DWG. FILE  
CF5PB-22