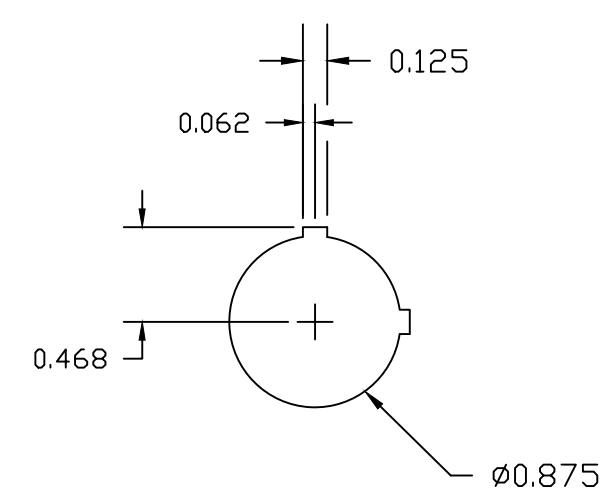
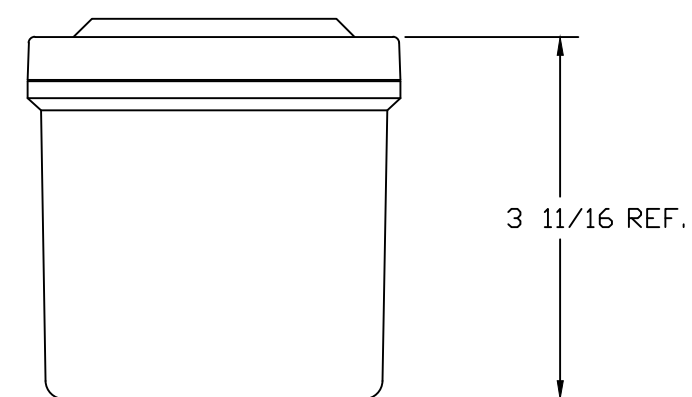
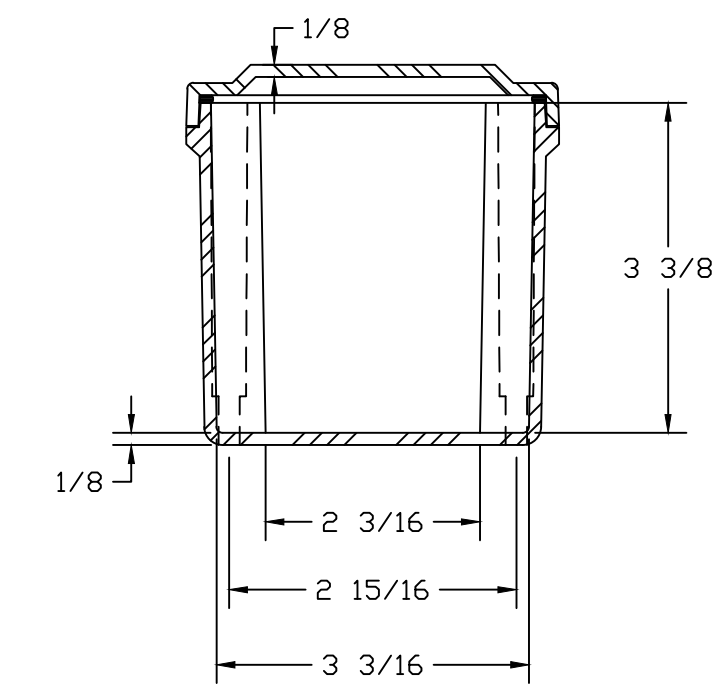


SECTION B-B




HOLE DETAIL
6 PLC'S.



SECTION A-A

NOTES:

NEMA 4X COLOR: GLACIER GRAY RR1013		TOLERANCES UNLESS SPECIFIED		DECIMAL ± .010	FRACTIONAL ± 1/32
GROUND STRAP TO BE FURNISHED WITH ENCLOSURE					
MATERIAL	F.R. POLYESTER FIBERGLASS	DR. BY	SH	DATE	02/25/92
LET.	REVISION RECORD	DATE	BY	CHK. BY	DATE
				APD. BY	DATE
		SCALE		PART NAME	PART NO.
		DO NOT SCALE		ENCLOSURE	CF6PB-22



STAHLIN
ENCLOSURES
DIVISION OF ROBBY INDUSTRIES

BELDING, MICHIGAN
48809

AutoCAD DWG. FILE
CF6PB-22