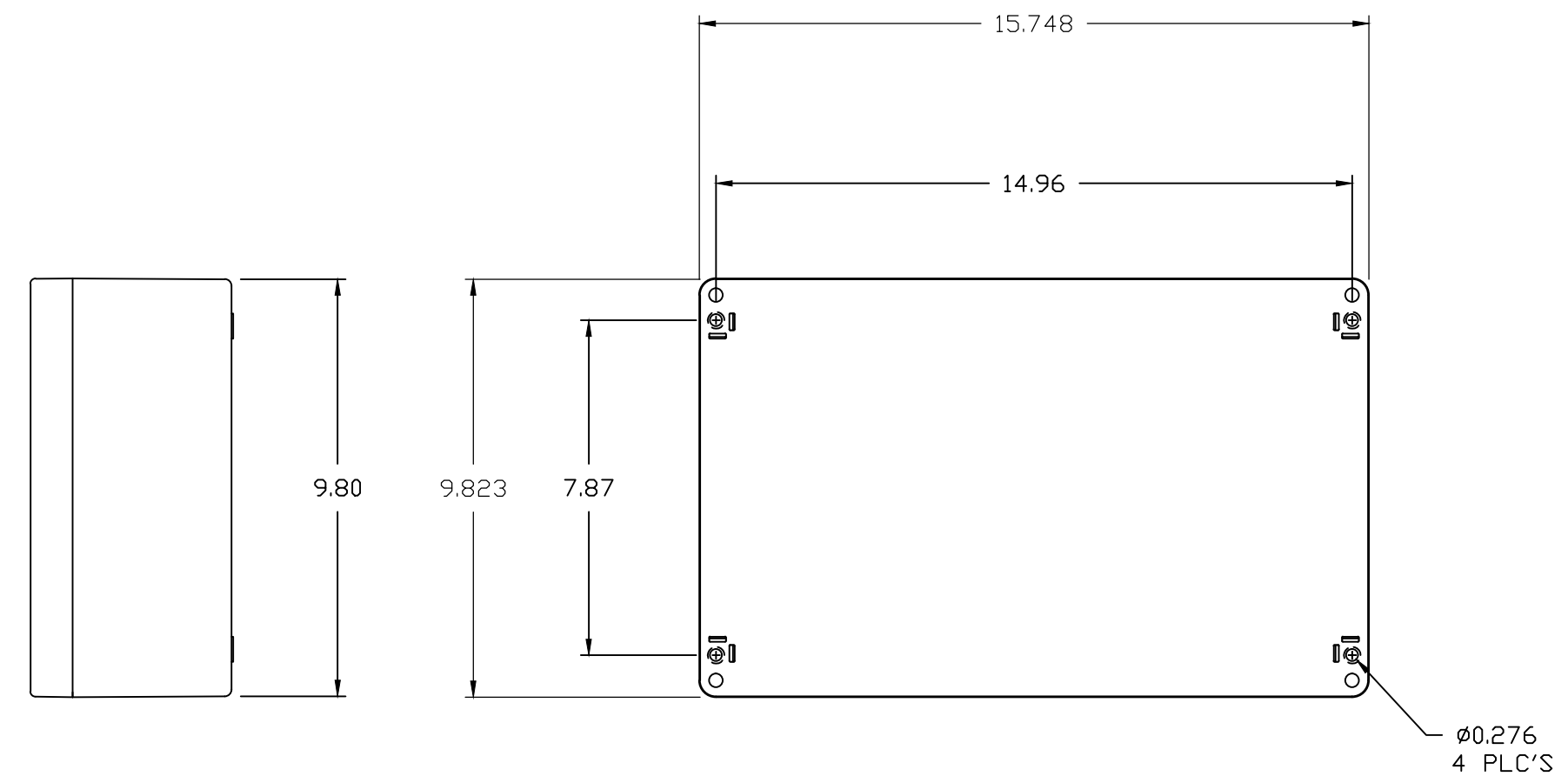
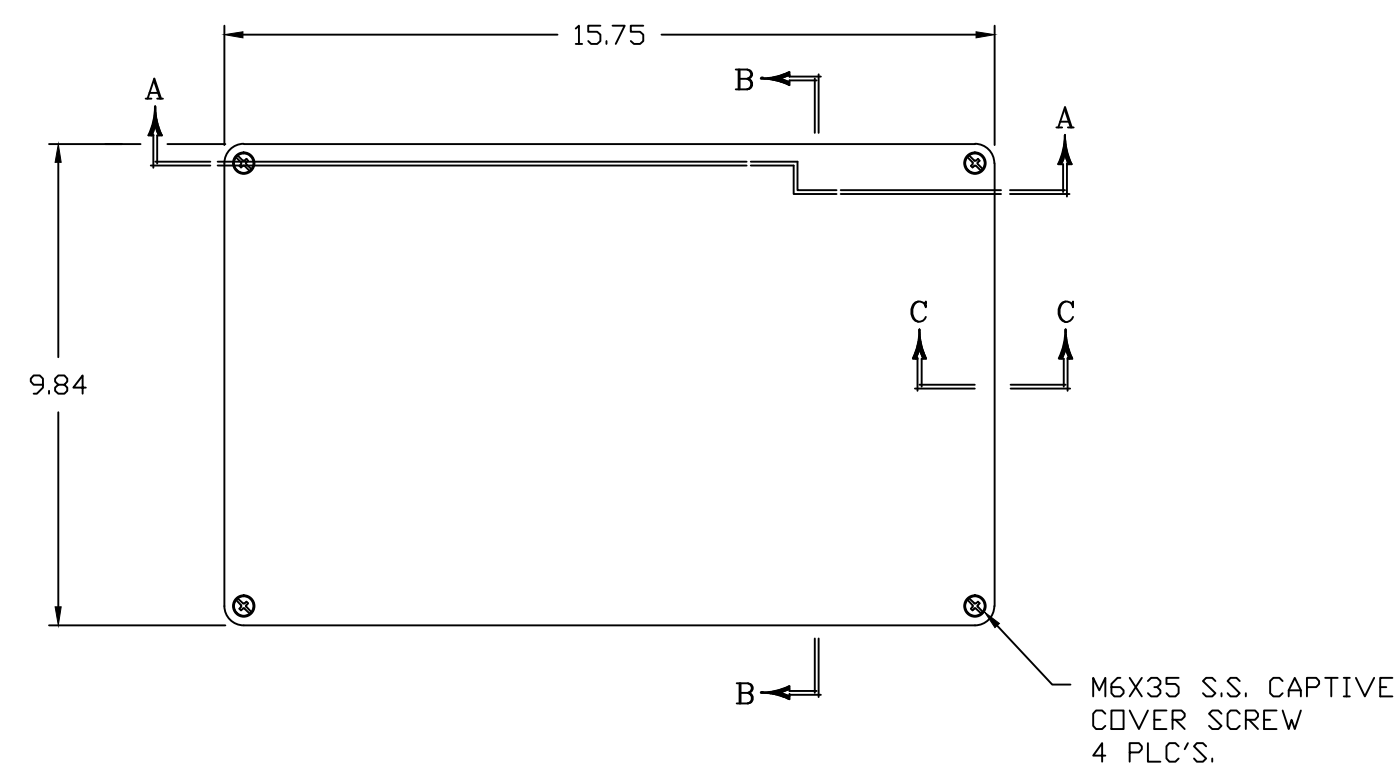
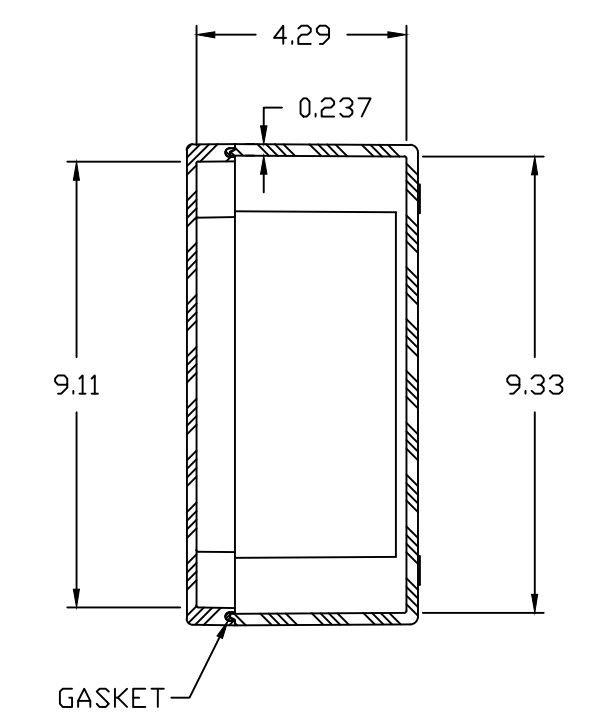


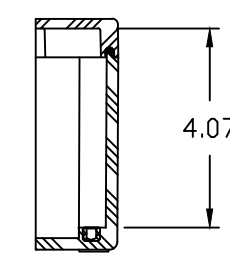
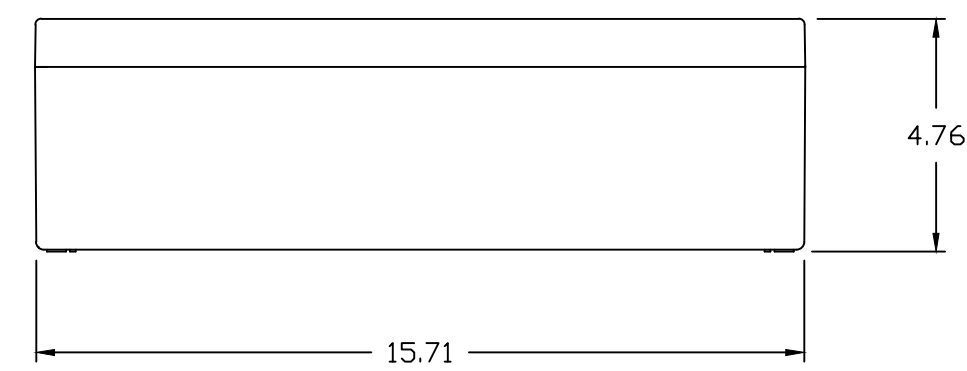
FRONT VIEW
WITHOUT COVER



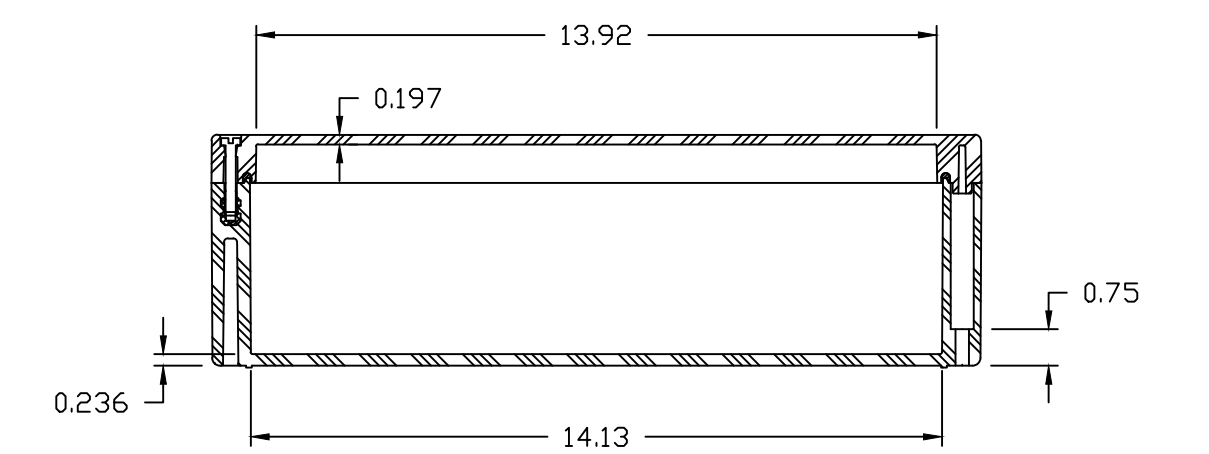
BACK VIEW



SECTION B-B




SECTION C-C



SECTION A-A

NOTES:

UL50 TYPE 4X,6,6P & IEC 60529 IP66, IP67, IP68						TOLERANCES UNLESS SPECIFIED		DECIMAL ± .020	FRACTIONAL ± .010
COLOR GLACIER GRAY									
MATERIAL						DR. BY GF	DATE 5/04/01	 BELDING, MICHIGAN 48809	
LET.	REVISION RECORD	DATE	BY	CHD.	CHK. BY	DATE			
					APD. BY	DATE	CUSTOMER		AutoCAD DWG. FILE
					SCALE DO NOT SCALE		PART NAME ENCLASURE	PART NO. D10165W	D10165W