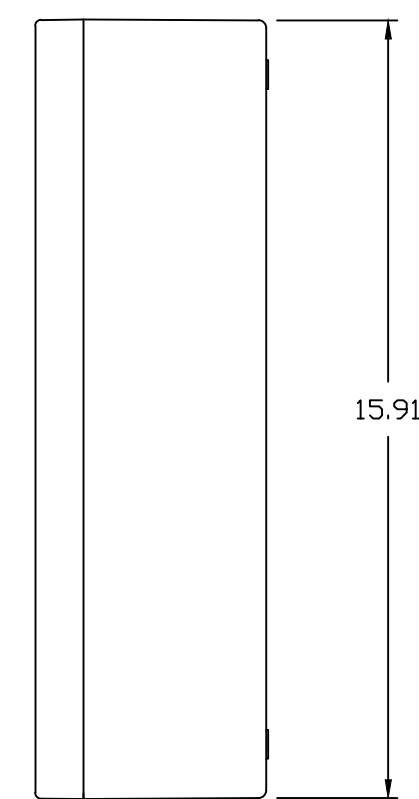
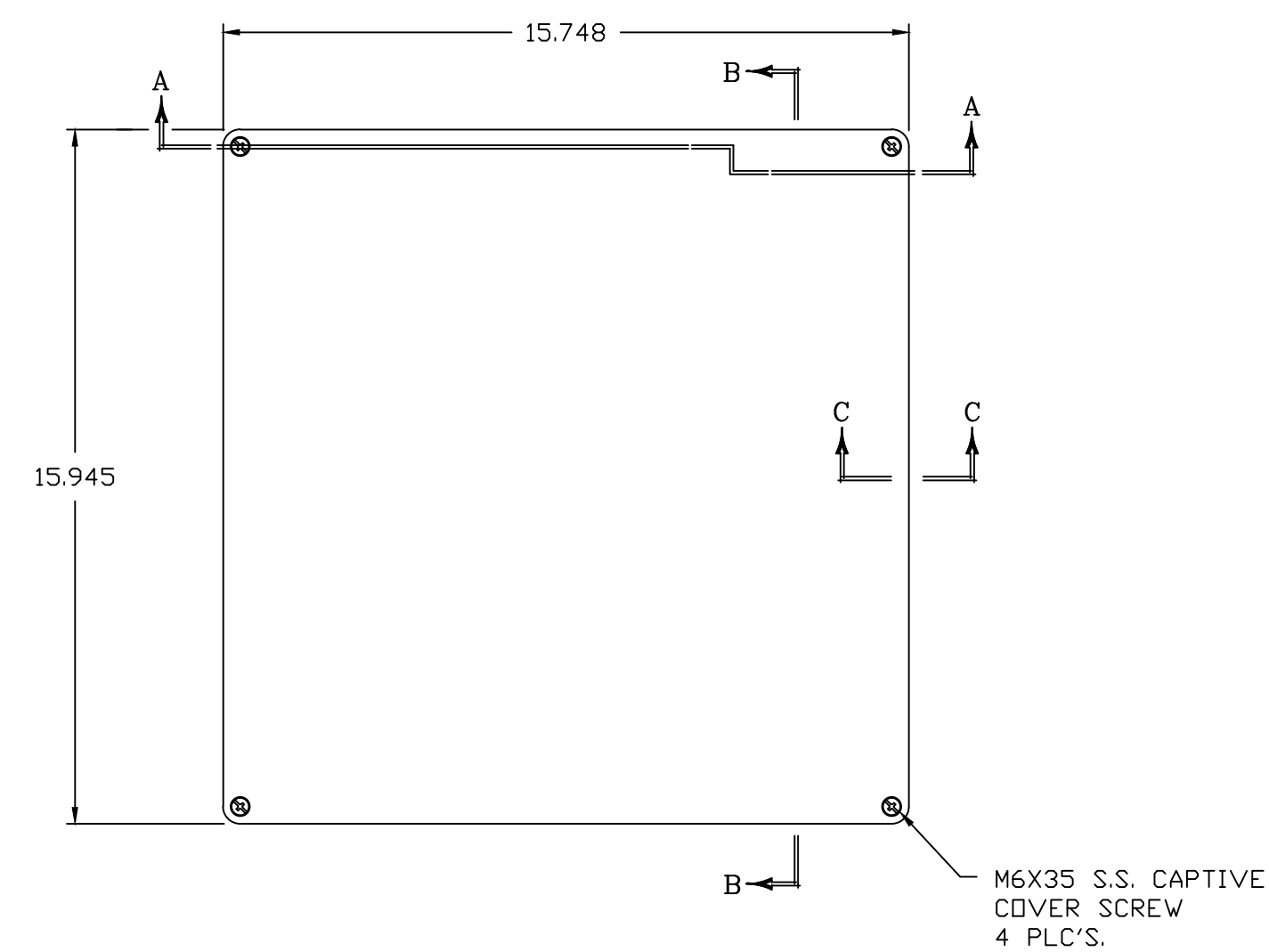
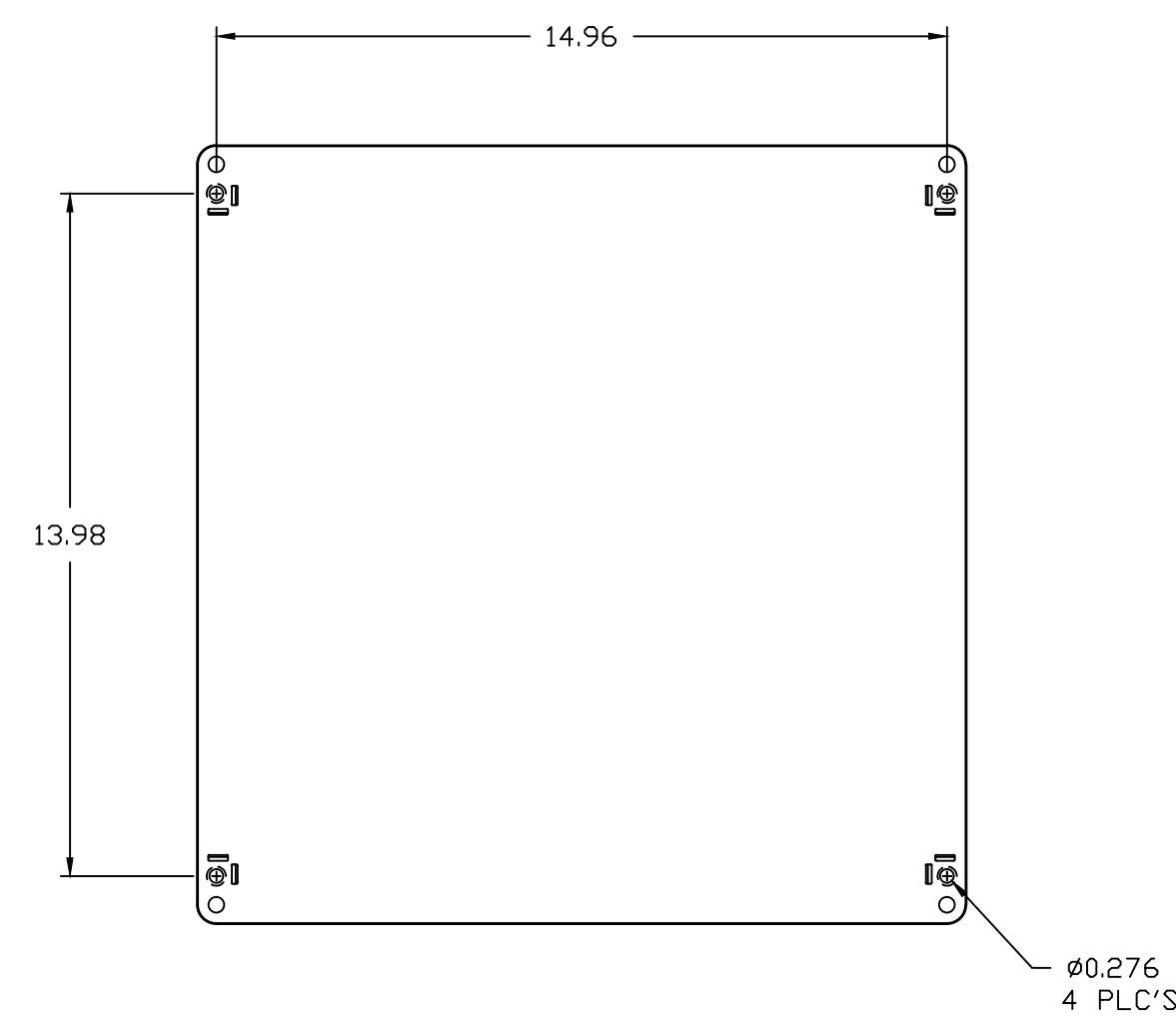


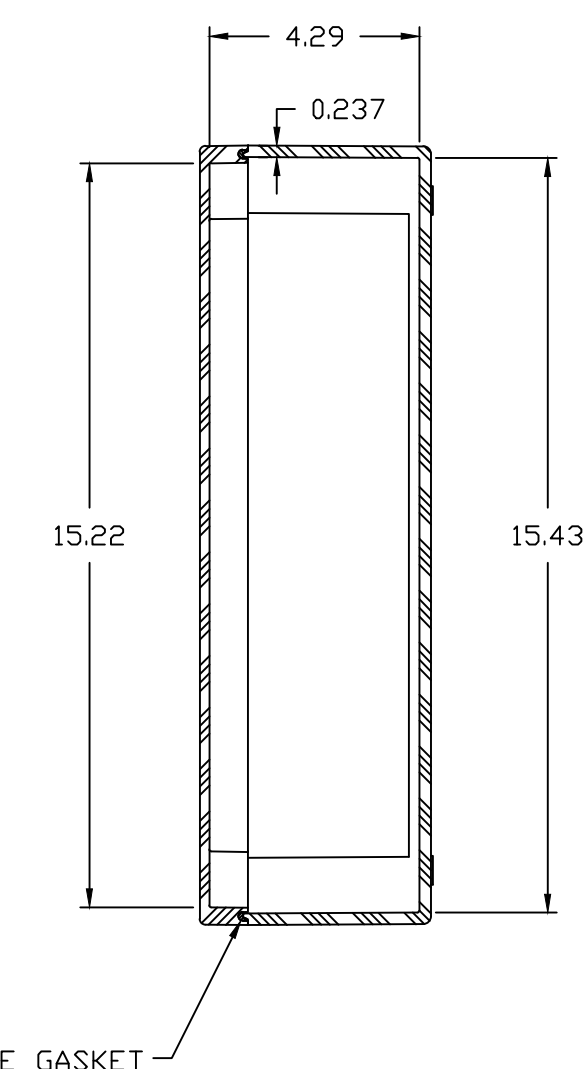
FRONT VIEW
WITHOUT COVER



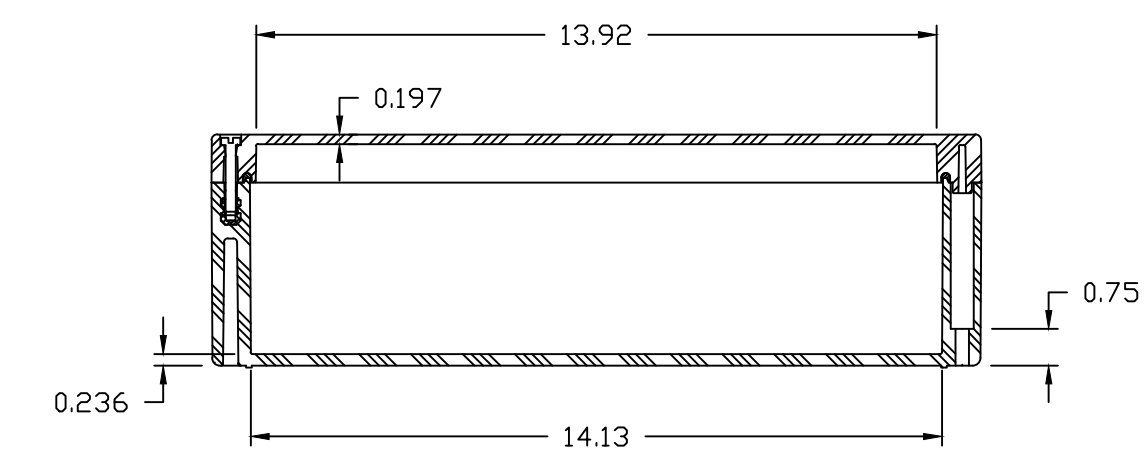
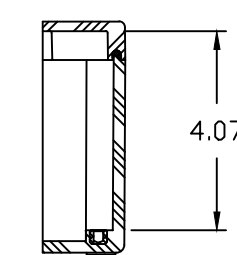
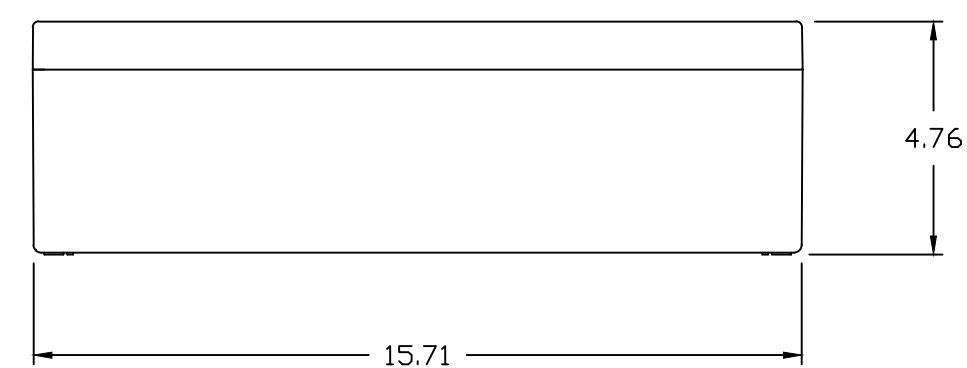
SECTION C-C



BACK VIEW




SECTION B-B



SECTION A-A

NOTES:

UL50 TYPE 4X,6,6P & IEC 60529 IP66, IP67, IP68						TOLERANCES UNLESS SPECIFIED		XX DECIMAL ±.020	XXX DECIMAL ±.010
COLOR: GLACIER GRAY									
MATERIAL				DR. BY	DATE	 STAHLIN ENCLOSURES DIVISION OF ROBROY INDUSTRIES			
				GF	5/15/01				
LET.	REVISION RECORD	DATE	BY	CHK. BY	DATE	APD. BY		CUSTOMER	AutoCAD DWG. FILE
									D16165W
				SCALE		PART NAME		PART NO.	
				DO NOT SCALE		ENCLOSURE		D16165W	

BELDING, MICHIGAN 48809