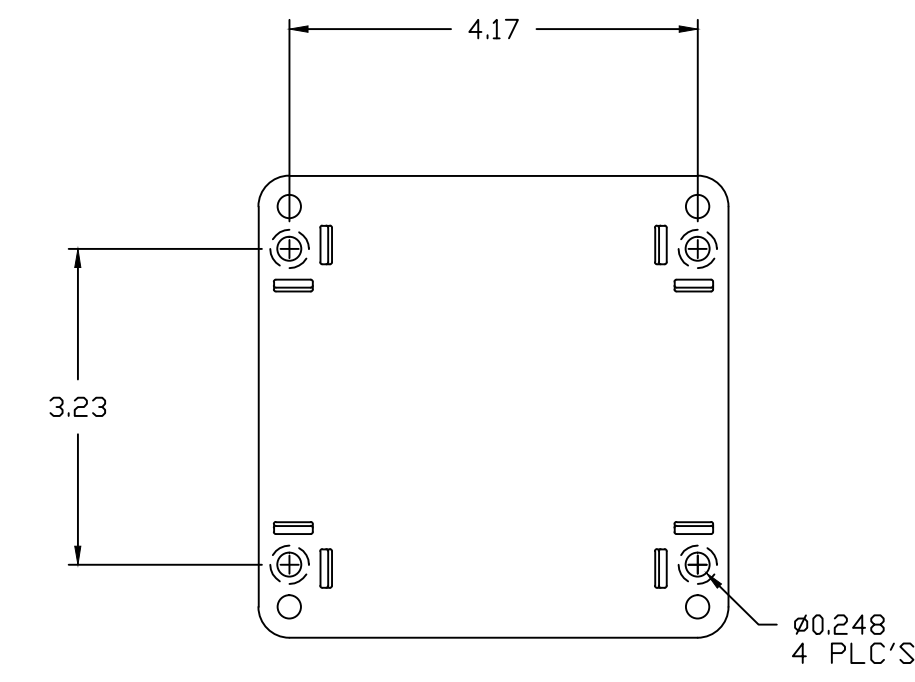
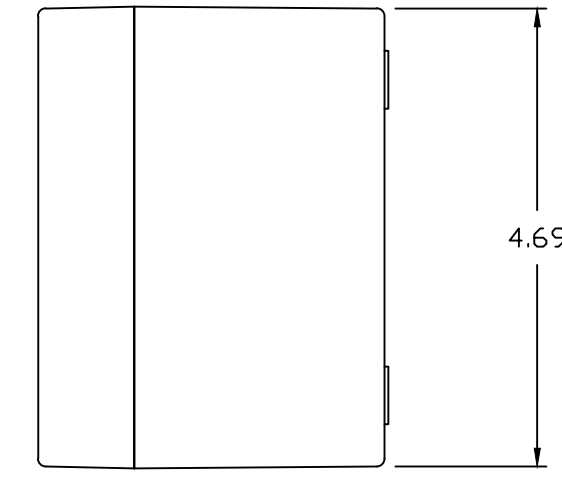
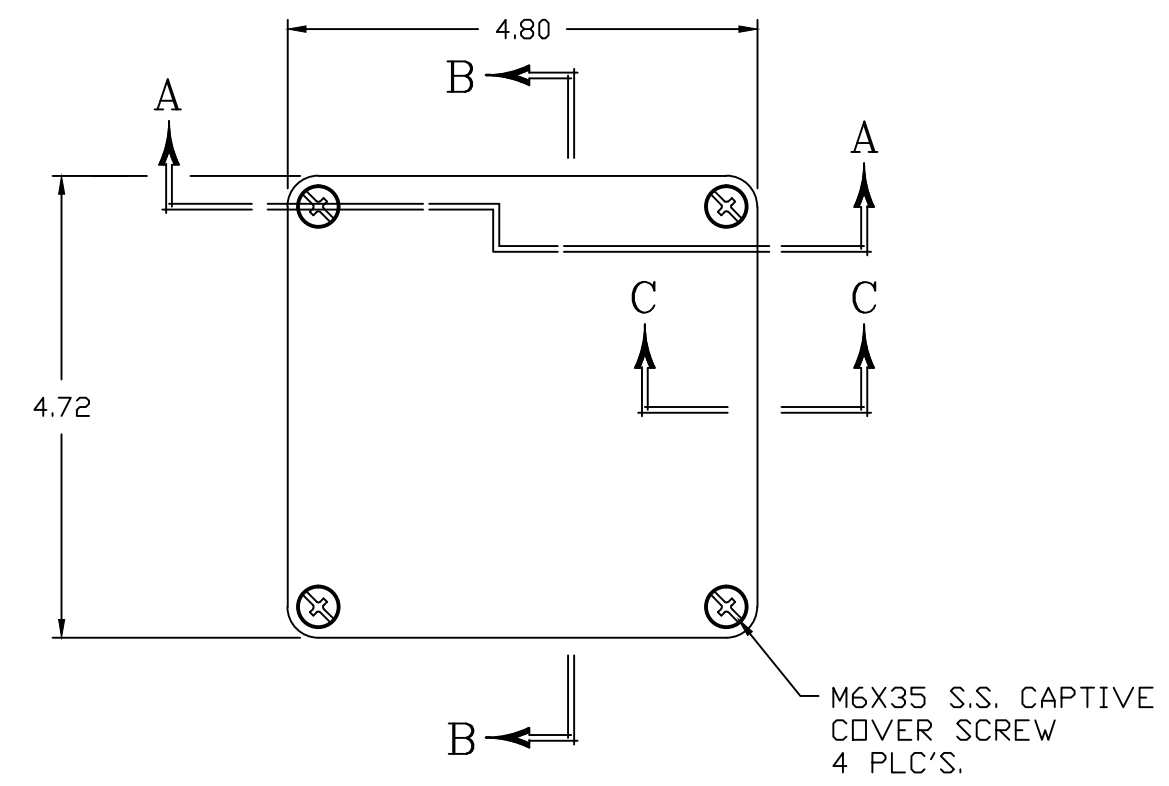
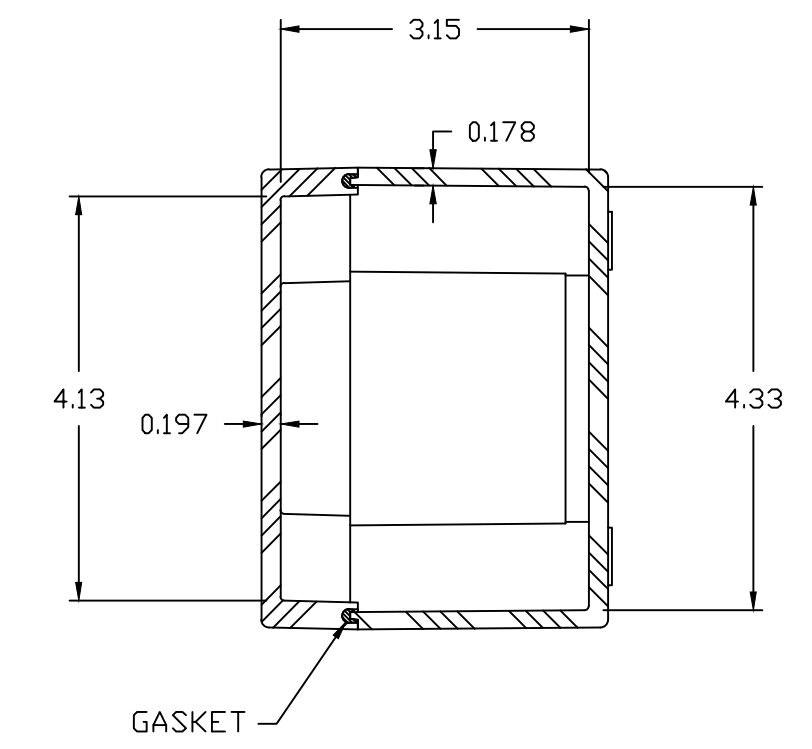


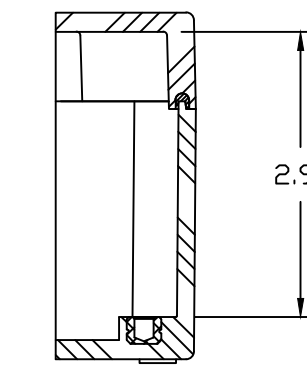
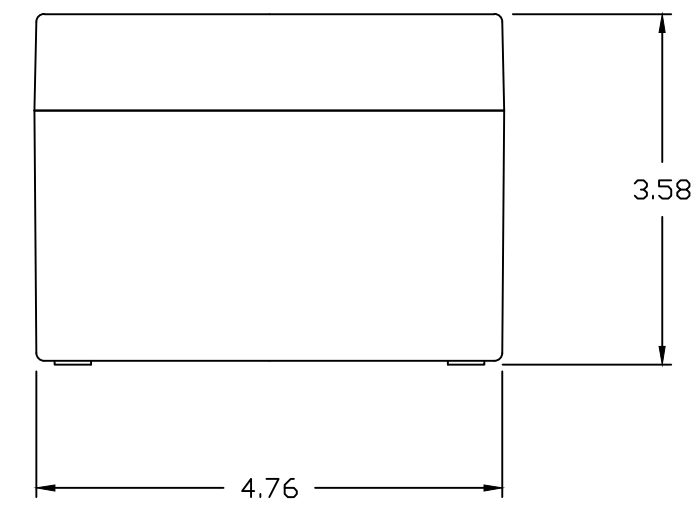
FRONT VIEW
WITHOUT COVER



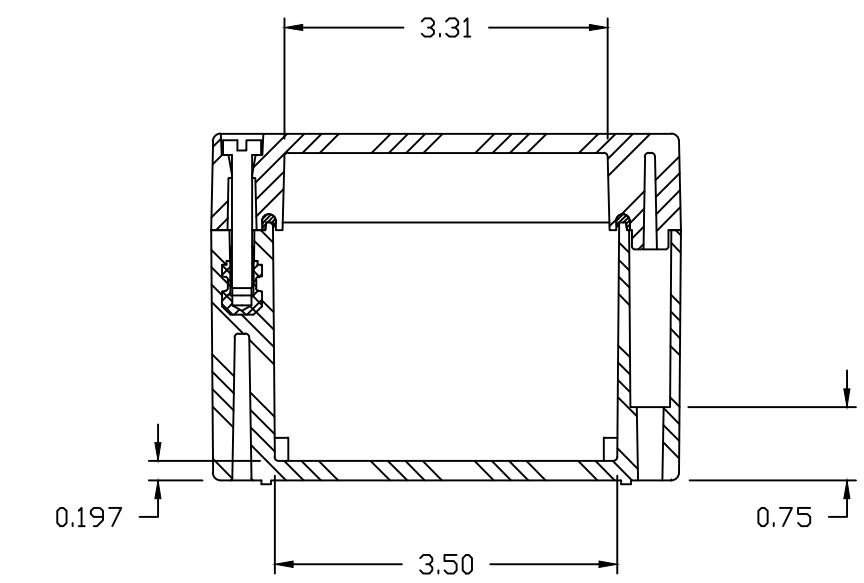
BACK VIEW



SECTION B-B




SECTION C-C



SECTION A-A

NOTES:

UL50 TYPE 4X,6,6P & IEC 60529 IP66, IP67, IP68						TOLERANCES XX DECIMAL XXX DECIMAL	
COLOR GLACIER GRAY						UNLESS SPECIFIED ± .020 ± .010	
MATERIAL FRP POLYESTER FIBERGLASS				DR. BY GF	DATE 5/15/01	 STAHLIN ENCLOSURES DIVISION OF ROBBY INDUSTRIES	
REVISION RECORD				CHK. BY	DATE		
LET.	DATE	BY	CHD.	APD. BY	DATE	CUSTOMER	AutoCAD DWG. FILE
							D554W
SCALE DO NOT SCALE				PART NAME ENCLOSURE		PART NO. D554W	

BELDING, MICHIGAN 48809