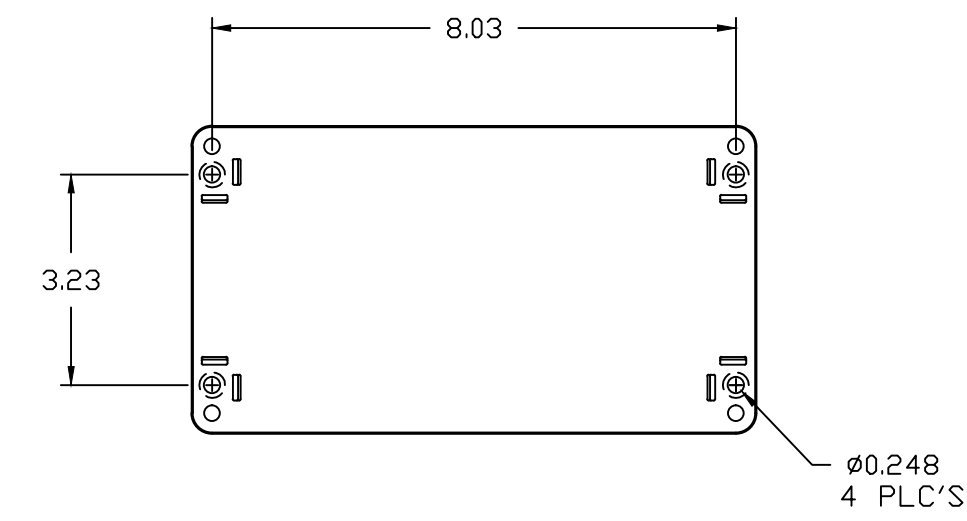
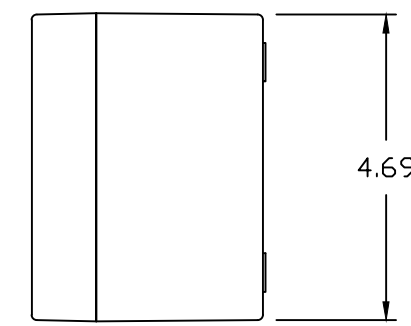
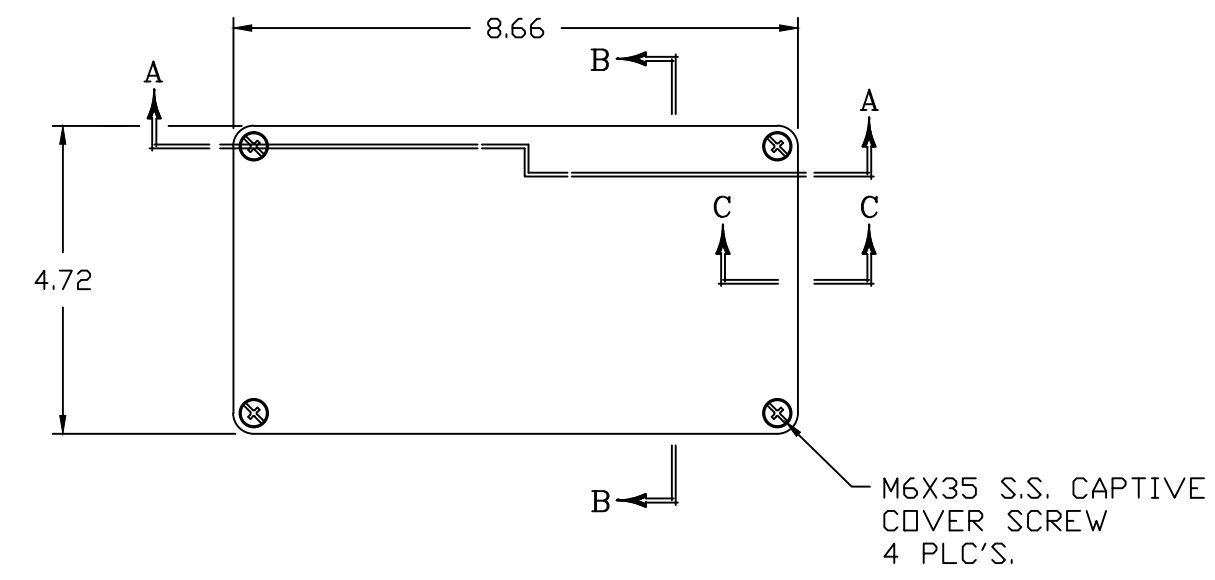
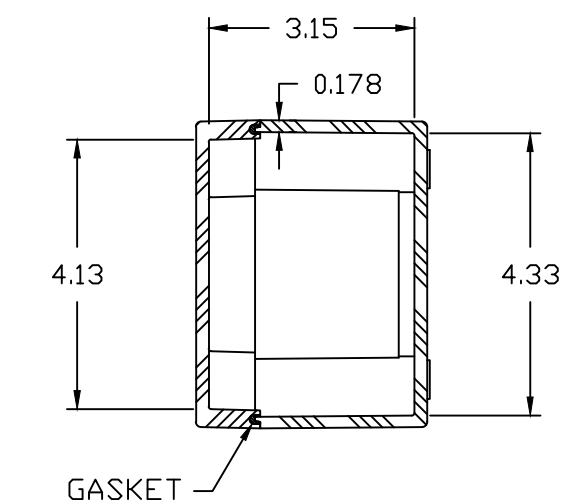


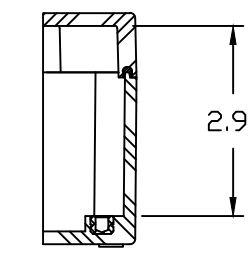
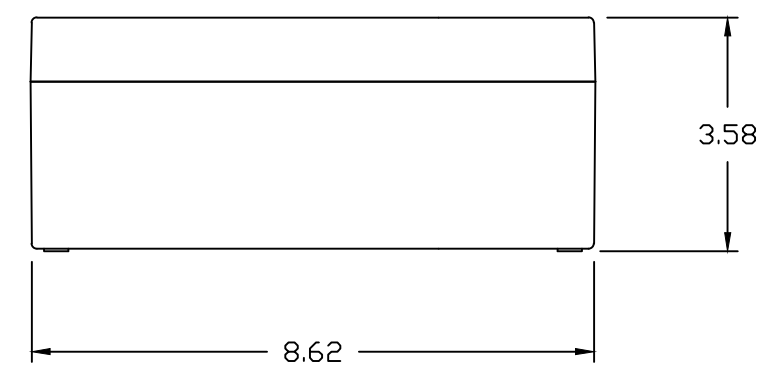
**FRONT VIEW**  
WITHOUT COVER



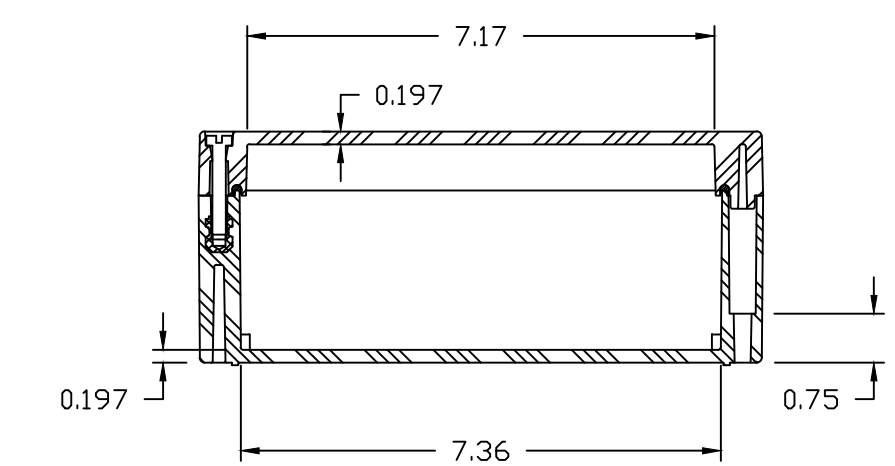
**BACK VIEW**



**SECTION B-B**




**SECTION C-C**



**SECTION A-A**

**NOTES:**

UL50 TYPE 4X,6,6P & IEC 60529 IP66, IP67, IP68						TOLERANCES		XX DECIMAL	XXX DECIMAL
COLOR GLACIER GRAY						UNLESS SPECIFIED		± .020	± .010
MATERIAL				DR. BY	DATE	 <b>STAHLIN</b> ENCLOSURES DIVISION OF ROBOBY INDUSTRIES			
				GF	5/15/01				
LET.	REVISION RECORD	DATE	BY	CHK. BY	DATE	CUSTOMER		AutoCAD DWG. FILE	
								D594W	
SCALE						PART NAME		PART NO.	
DO NOT SCALE						ENCLOSURE		D594W	

BELDING, MICHIGAN  
48809

D594W