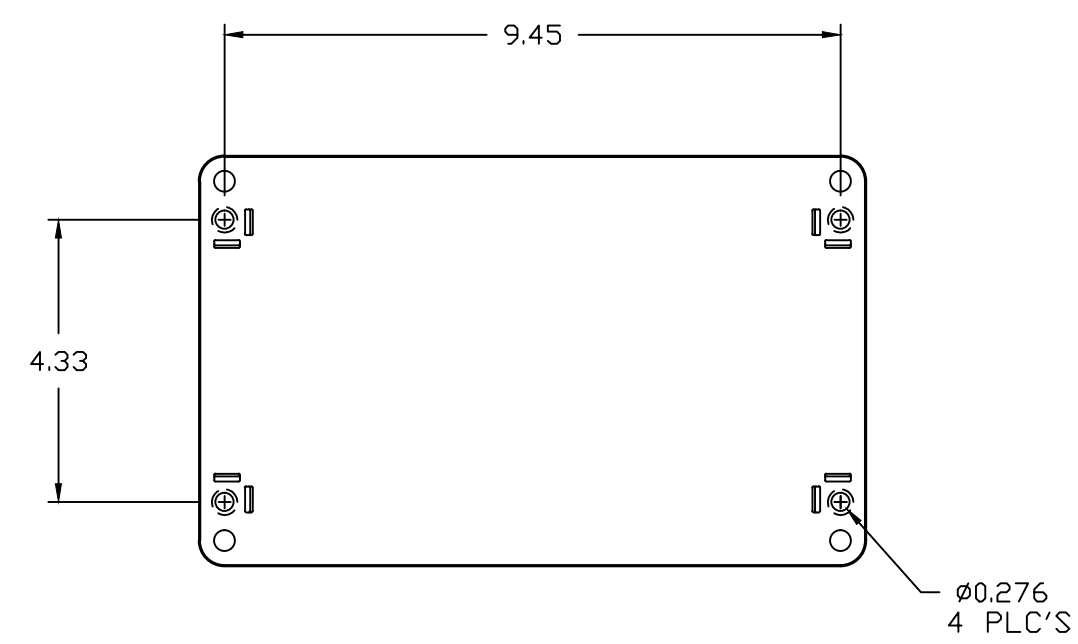
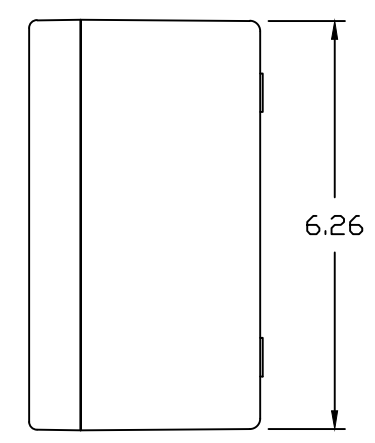
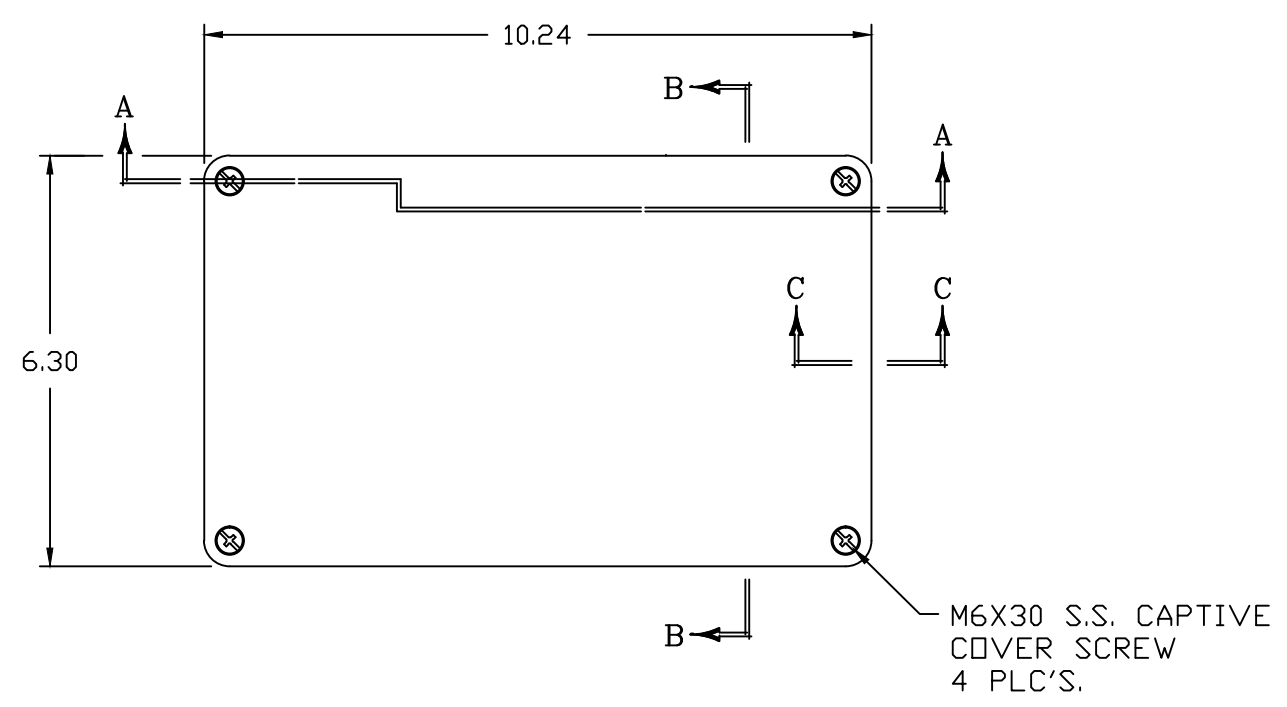
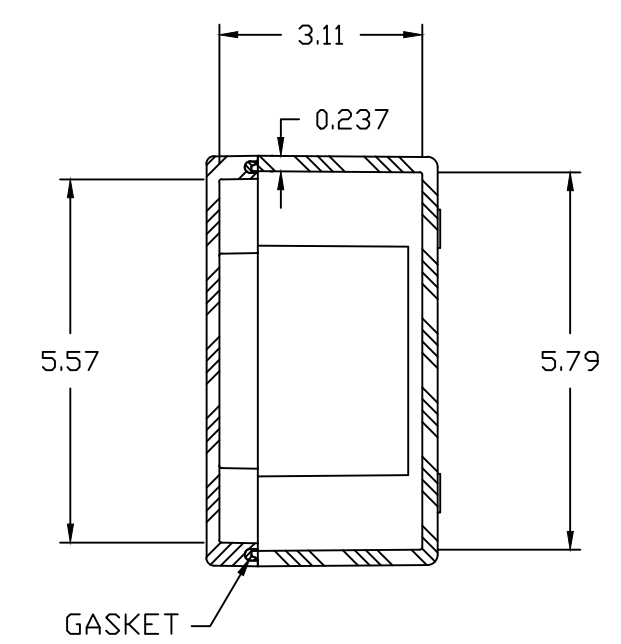


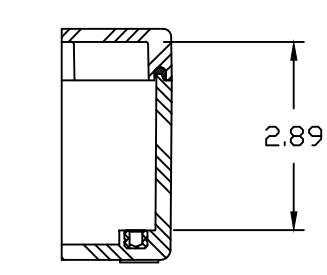
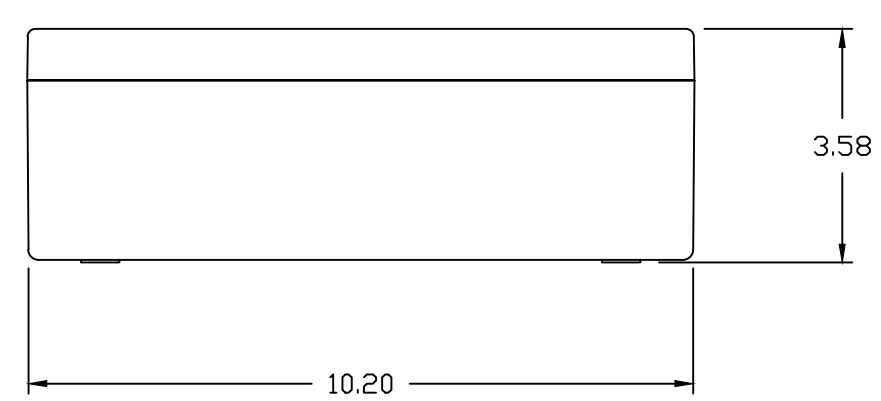
FRONT VIEW
WITHOUT COVER



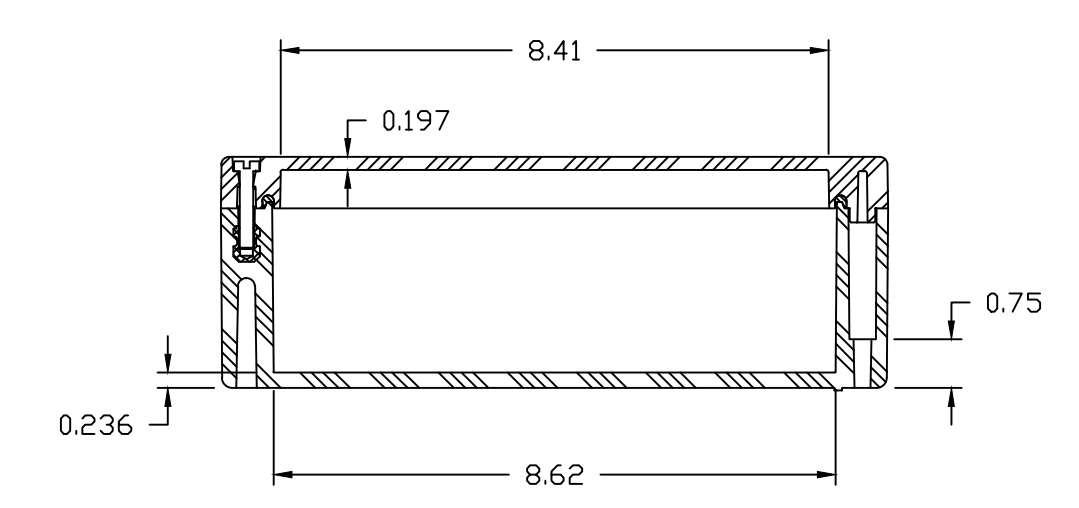
BACK VIEW



SECTION B-B




SECTION C-C



SECTION A-A

NOTES:

UL50 TYPE 4X,6,6P & IEC 60529 IP66, IP67, IP68						TOLERANCES UNLESS SPECIFIED		XX DECIMAL ± .020	XXX DECIMAL ± .010
COLOR GLACIER GRAY									
MATERIAL				DR. BY	DATE	 STAHLIN ENCLOSURES DIVISION OF ROBROY INDUSTRIES BELDING, MICHIGAN 48809			
				GF	5/15/01				
LET.	REVISION RECORD	DATE	BY	CHD.	CHK. BY	DATE	CUSTOMER		AutoCAD DWG. FILE
									D7114W
				APD. BY	DATE	SCALE		PART NAME	PART NO.
						DO NOT SCALE		ENCLOSURE	D7114W