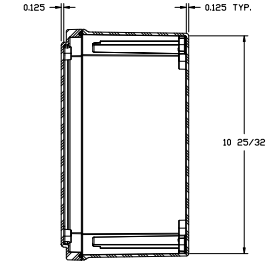
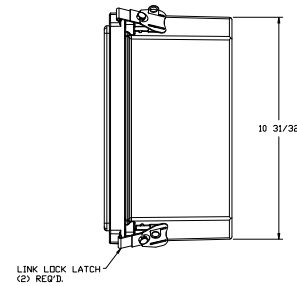
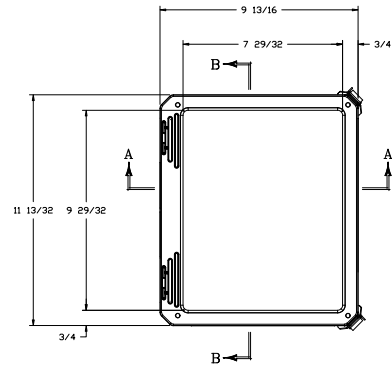
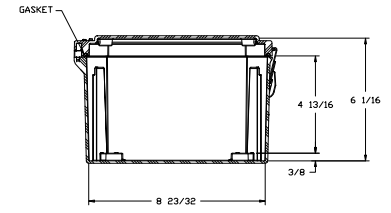
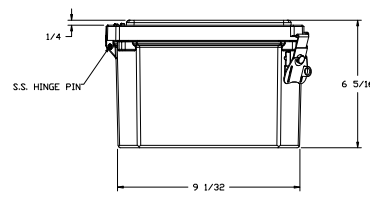


WITH COVER REMOVED



SECTION B-B



SECTION A-A

NOTES										
COLD:R GLACIER GRAY RR3013					TOLERANCES UNLESS SPECIFIED					
UL/CSA: 1, 3, 3S, 4X, 12, 13					DECIMAL	FRACTIONAL				
					± .010	± 1/32				
MATERIAL	F.R. POLYESTER FIBERGLASS				DR BY	DATE	STAHLIN ENCLOSURES			
LET.	REVISION RECORD				CHK. BY	DATE	SYSTEM OF ROBERT ROBERTS			
	DATE	BY	CHG.	APD. BY	DATE	BELDING MICHIGAN 48809				
				SCALE		PART NAME				
				DD NDT SCALE		ENCLOSURE				
						PART NO. DS100896HLL				