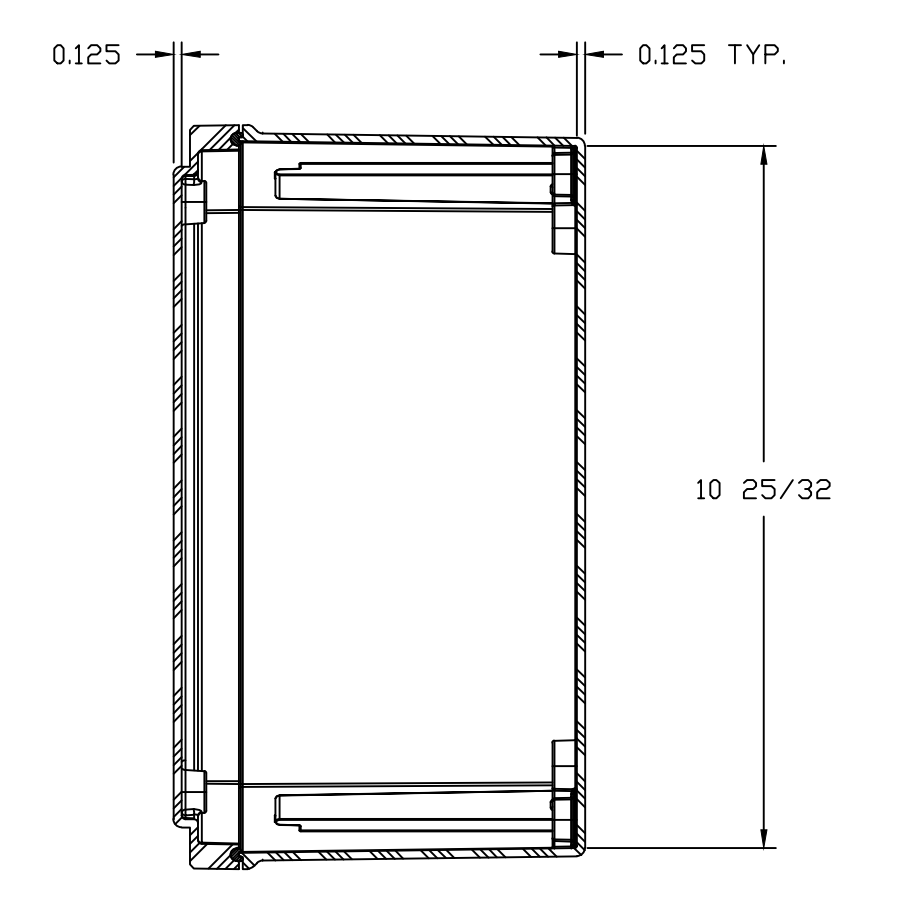
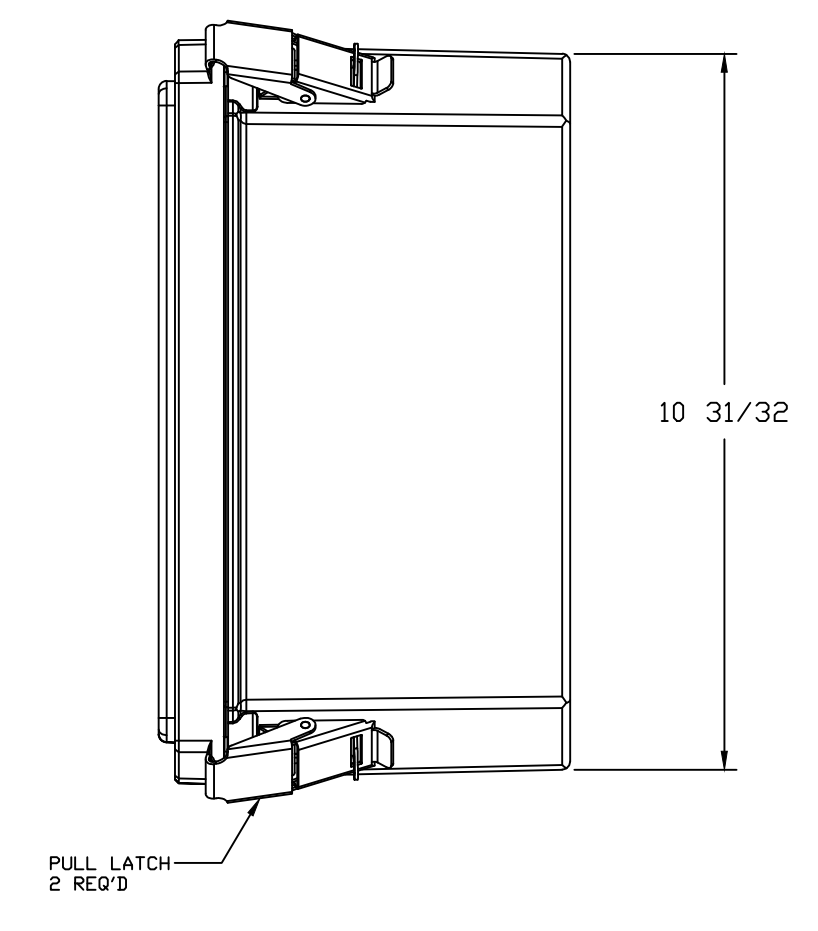
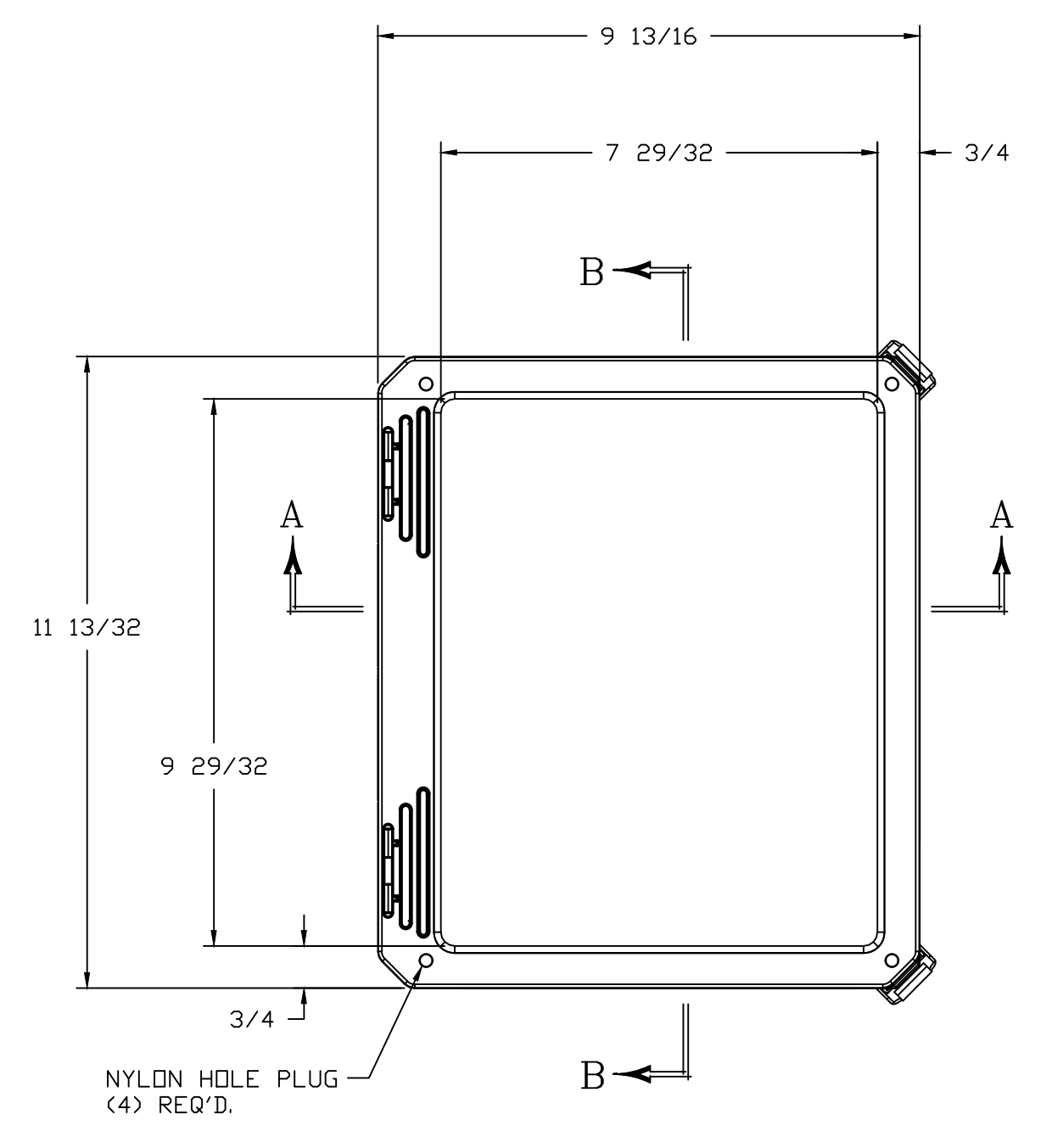
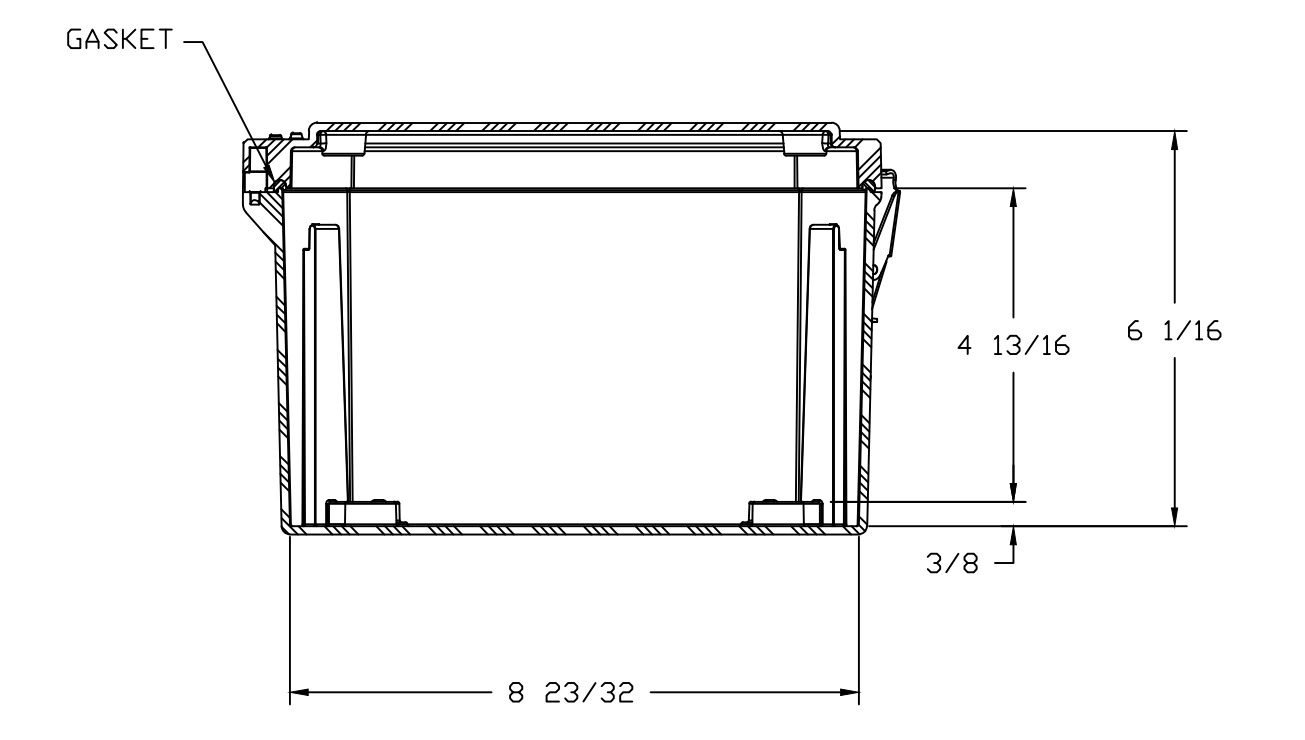
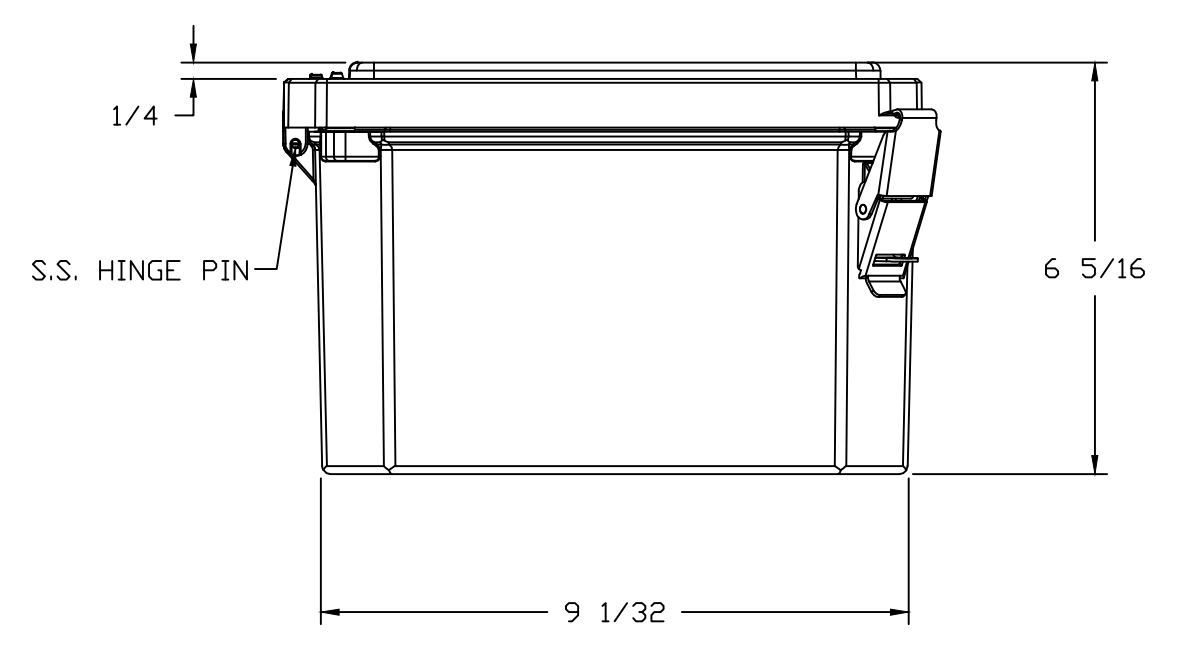


WITH COVER REMOVED



SECTION B-B



SECTION A-A

COLOR: GLACIER GRAY RR3013						TOLERANCES UNLESS SPECIFIED		DECIMAL ± .010	FRACTIONAL ± 1/32
MATERIAL NEMA 1, 3, 3S, 4X, 12, 13 IP66						DR. BY ZJB	DATE 4/2/03		
F.R. POLYESTER FIBERGLASS						CHK. BY	DATE		
LET.	REVISION RECORD	DATE	BY	CHD.	APD. BY	DATE	CUSTOMER		AutoCAD DWG. FILE DS100806HPL
SCALE DD NDT SCALE						PART NAME ENCLLOSURE		PART NO. DS100806HPL	

BELDING, MICHIGAN 48809