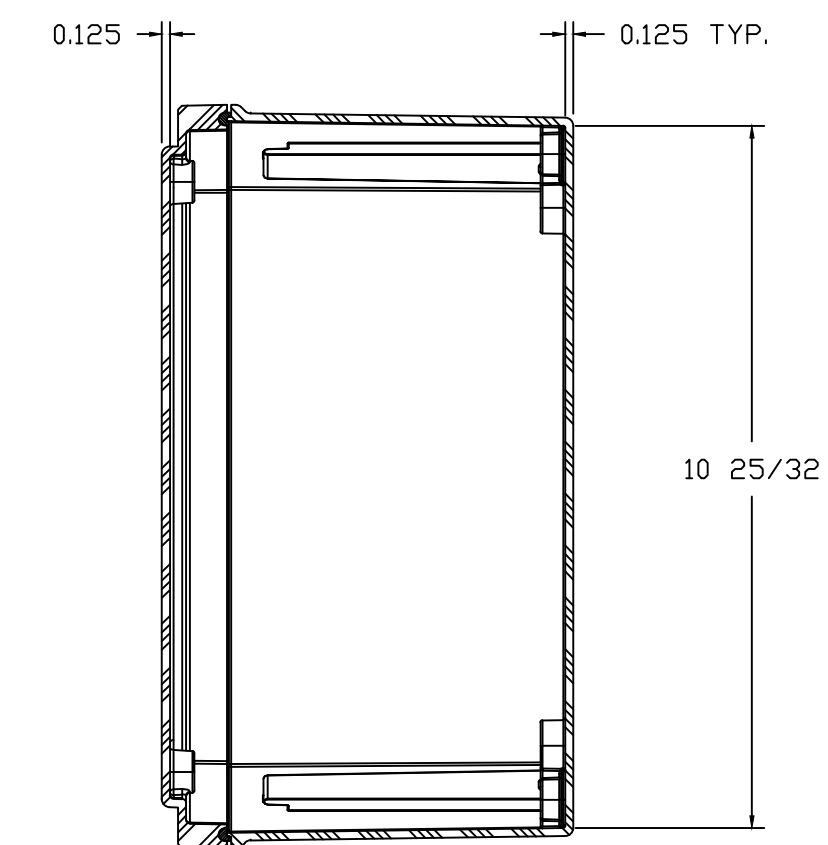
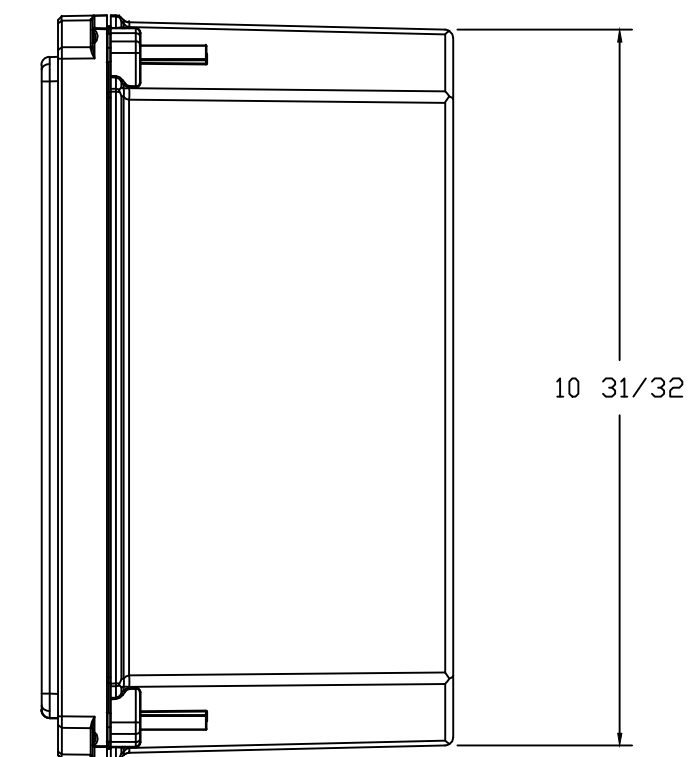
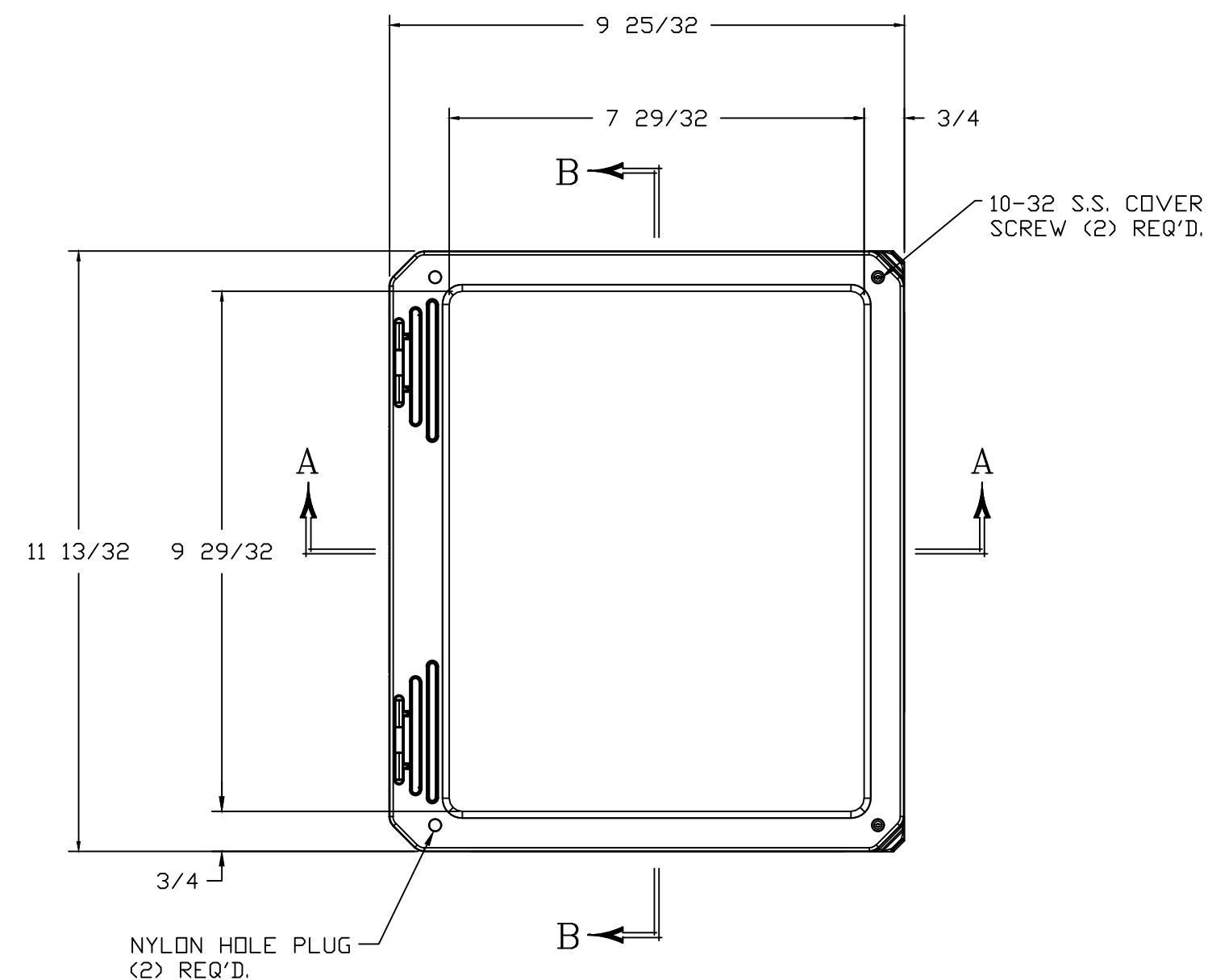
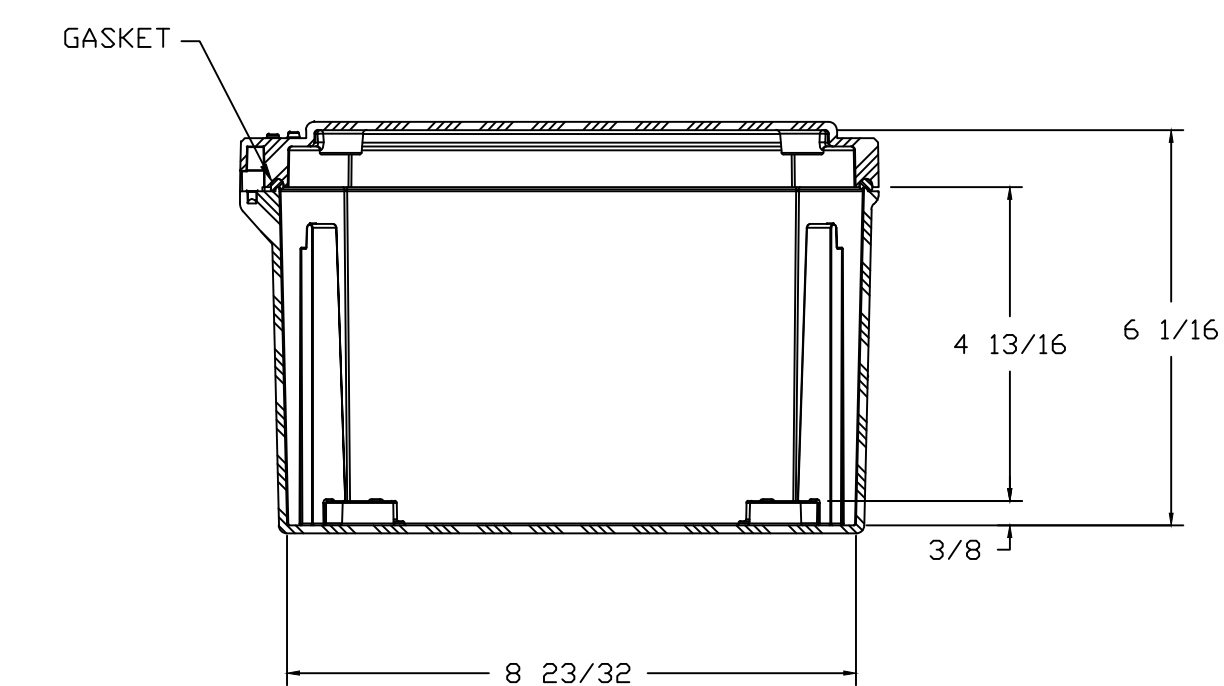
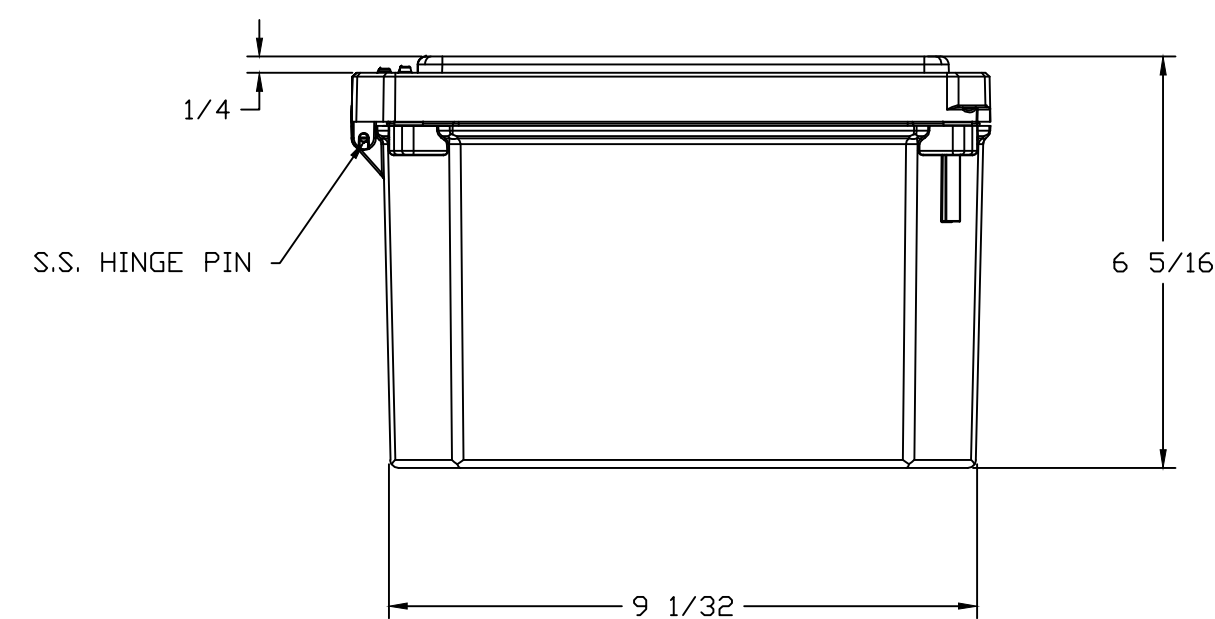



WITH COVER REMOVED



SECTION B-B



SECTION A-A

COLOR: GLACIER GRAY RR1013						TOLERANCES UNLESS SPECIFIED		DECIMAL ± .010	FRACTIONAL ± 1/32
MATERIAL NEMA 1, 3, 3S, 4X, 12, 13 IP66						DR. BY ZJB	DATE 4/2/03	 BELDING, MICHIGAN 48809	
F.R. POLYESTER FIBERGLASS						CHK. BY	DATE		
LET.	REVISION RECORD	DATE	BY	CHD.	APD. BY	DATE	CUSTOMER	AutoCAD DWG. FILE DS100806HW	
SCALE DD NDT SCALE						PART NAME ENCLOSURE		PART NO. DS100806HW	