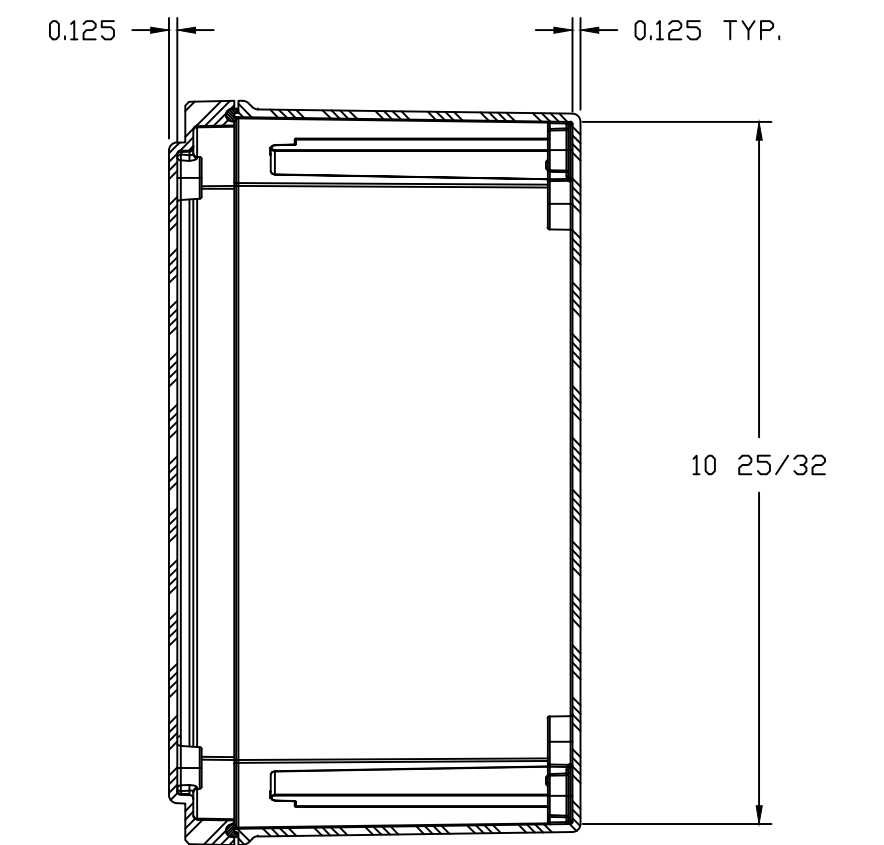
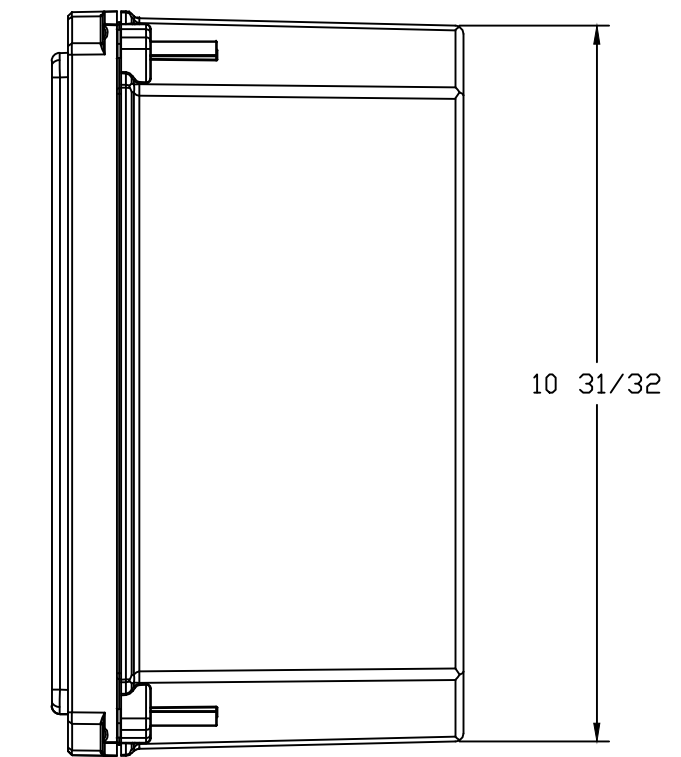
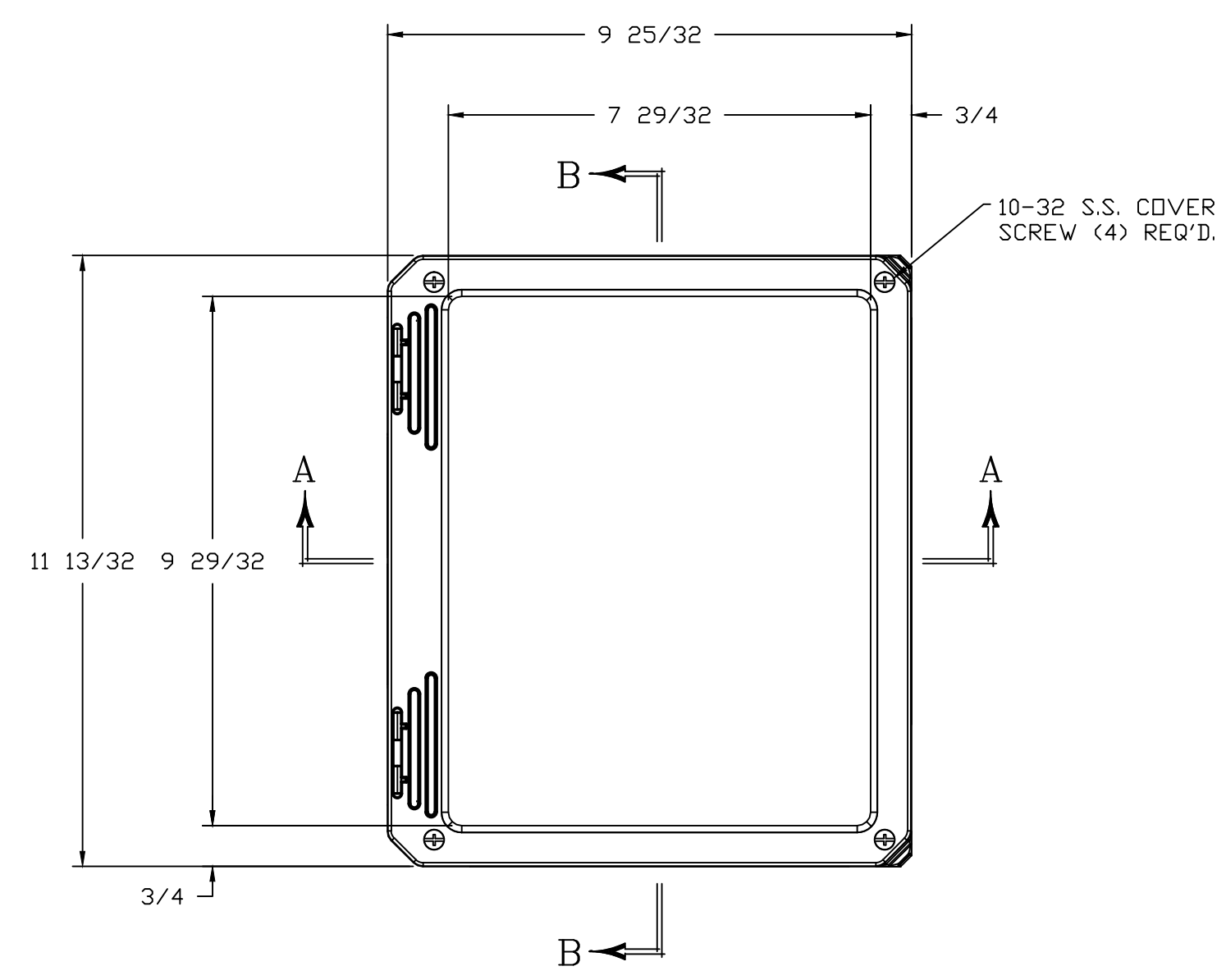
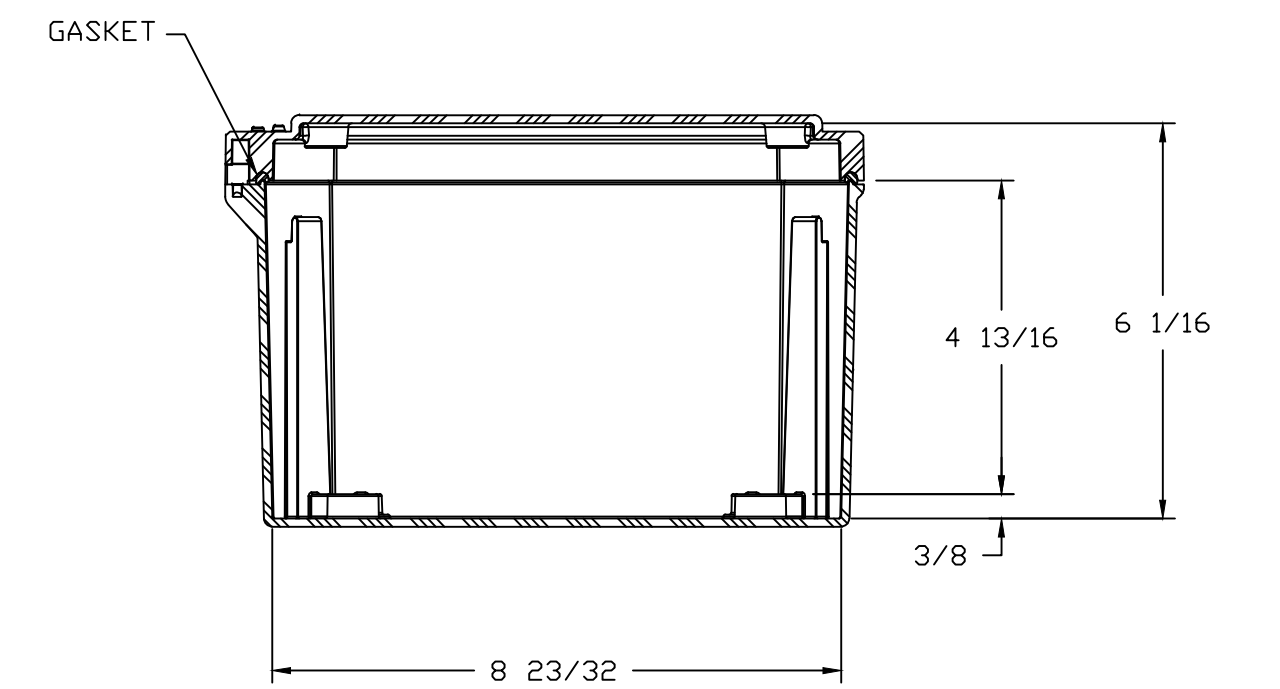
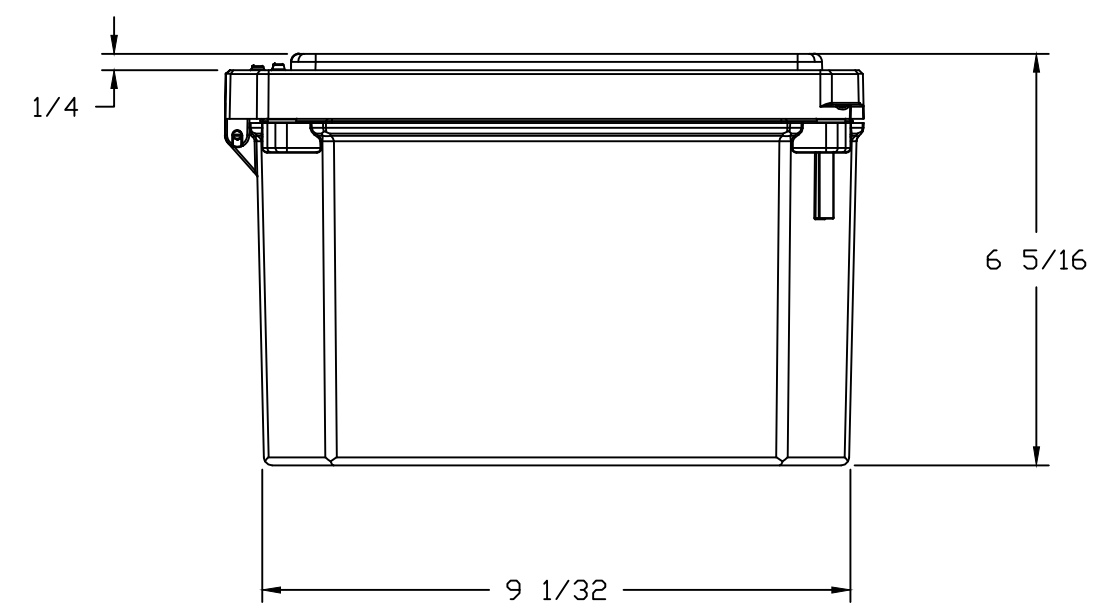


WITH COVER REMOVED




SECTION B-B



SECTION A-A

NOTES:

COLOR: GLACIER GRAY RR1013				TOLERANCES UNLESS SPECIFIED		DECIMAL ± .010	FRACTIONAL ± 1/32
NEMA 1, 3, 3S, 4X, 12, 13 IP66							
MATERIAL		DR. BY	DATE	 BELDING, MICHIGAN 48809 DIVISION OF ROBOBY INDUSTRIES			
F.R. POLYESTER FIBERGLASS		ZJB	4/2/03				
LET.	REVISION RECORD	DATE	BY	CHD.	CHK. BY	DATE	
					APD. BY	DATE	CUSTOMER
					SCALE	PART NAME	PART NO.
					DD NDT SCALE	ENCLOSURE	DS100806W

AutoCAD DWG. FILE DS100806W