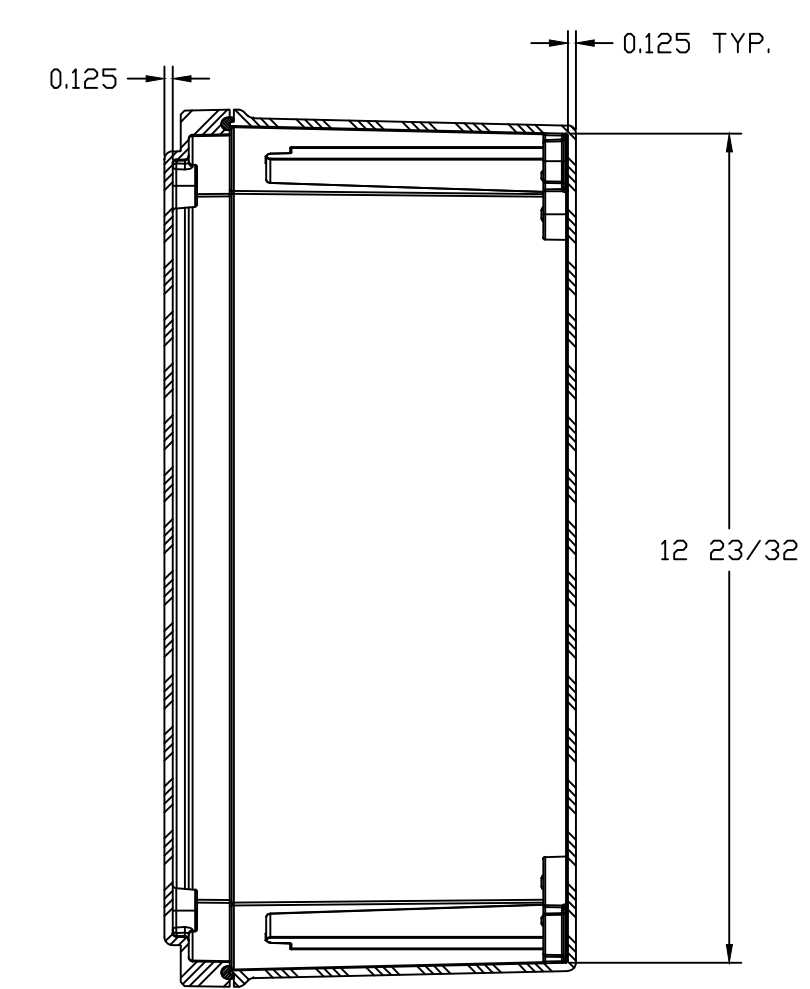
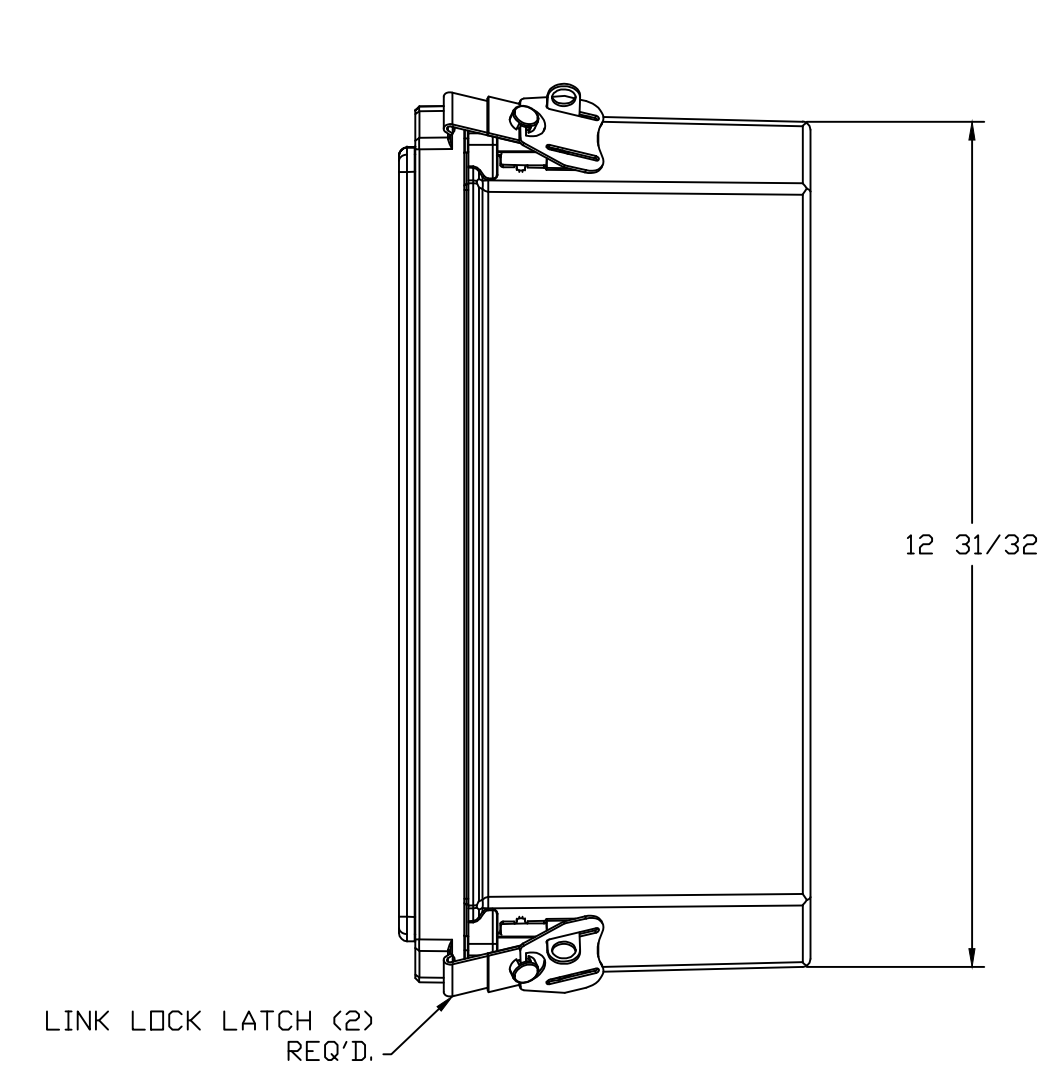
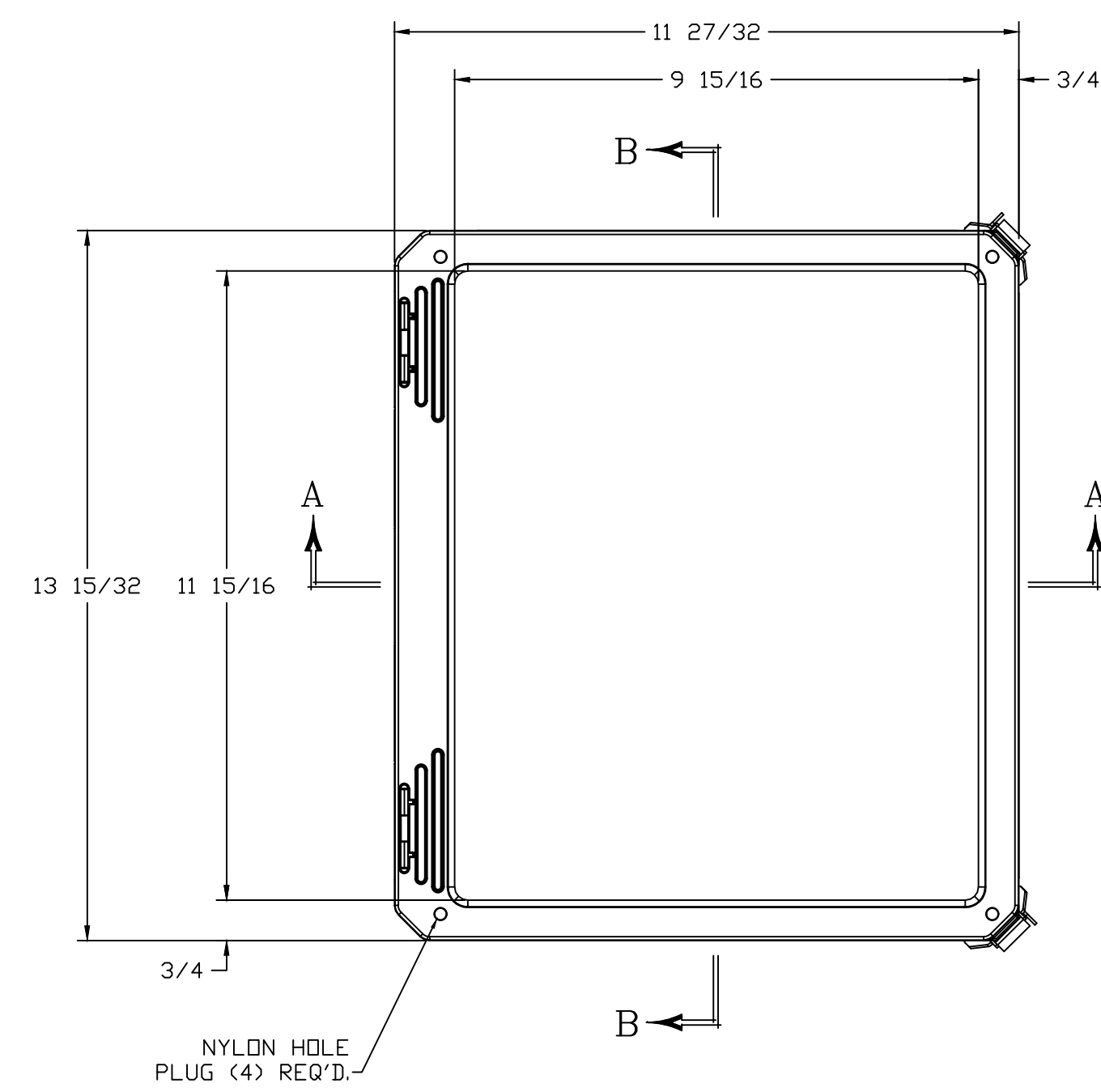
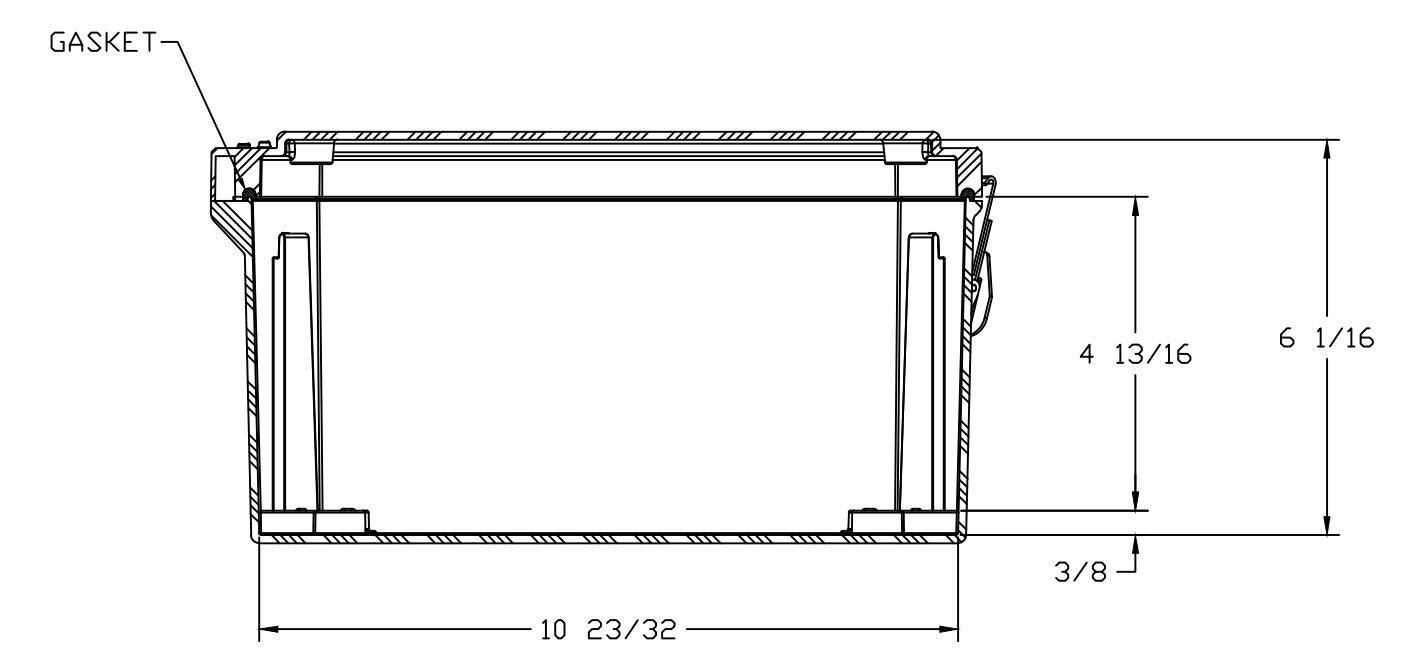
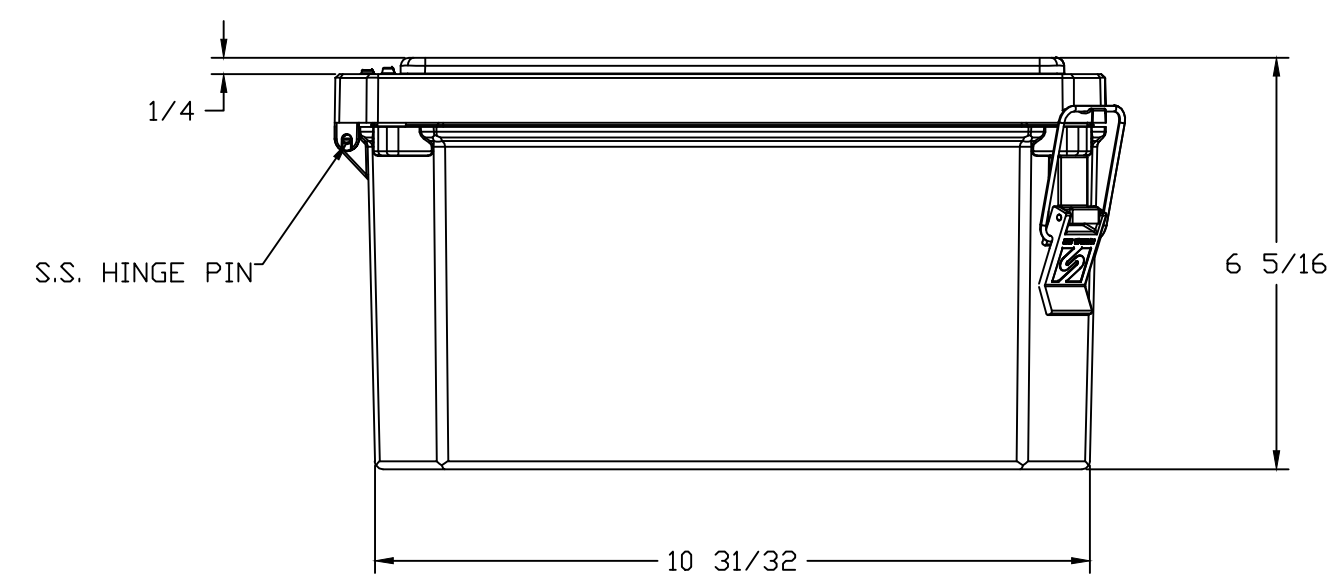


WITH COVER REMOVED



SECTION B-B



SECTION A-A

MATERIAL		F.R. POLYESTER FIBERGLASS		DR. BY ZJB		DATE 4/2/03		NEMA 1, 3, 3S, 4X, 12, 13 IP66		COLOR: GLACIER GRAY RR1013		TOLERANCES UNLESS SPECIFIED		DECIMAL ± .010		FRACTIONAL ± 1/32	
LET.	REVISION RECORD	DATE	BY	CHD.	APD. BY	DATE	CUSTOMER	STAHLIN ENCLOSURES		DIVISION OF ROBOBY INDUSTRIES		BELDING, MICHIGAN		48809		AutoCAD DWG. FILE DS121006HLL	
SCALE		DO NOT SCALE		PART NAME		ENCLOSURE		PART NO.		DS121006HLL							