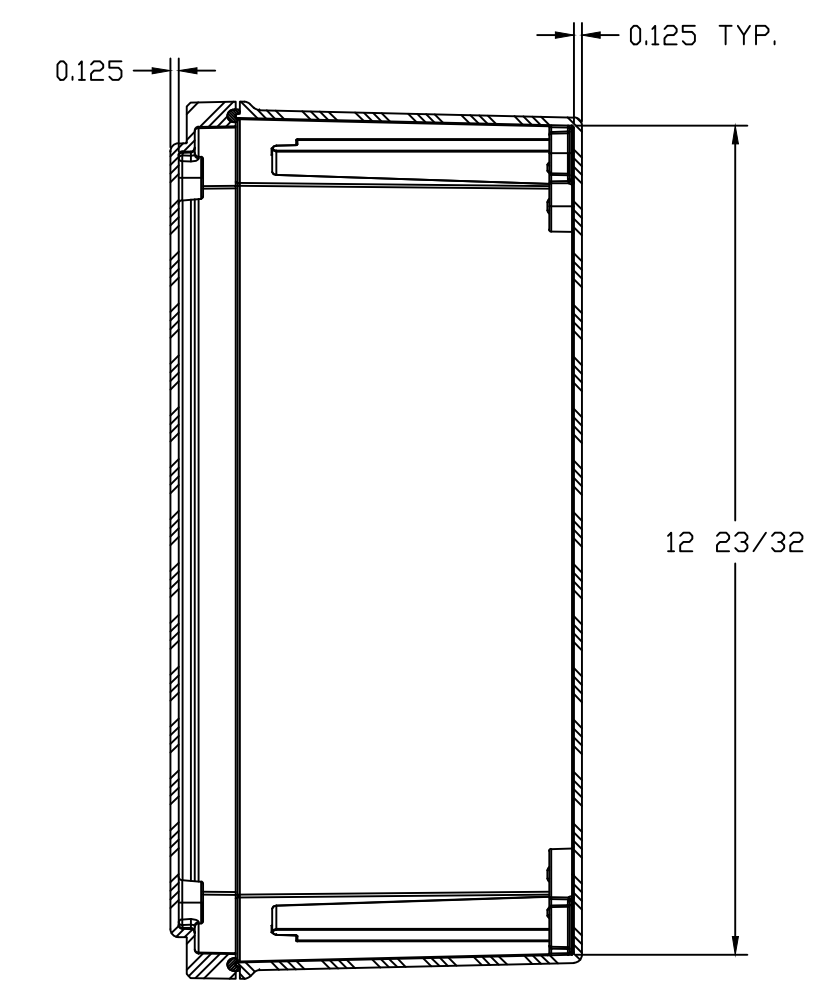
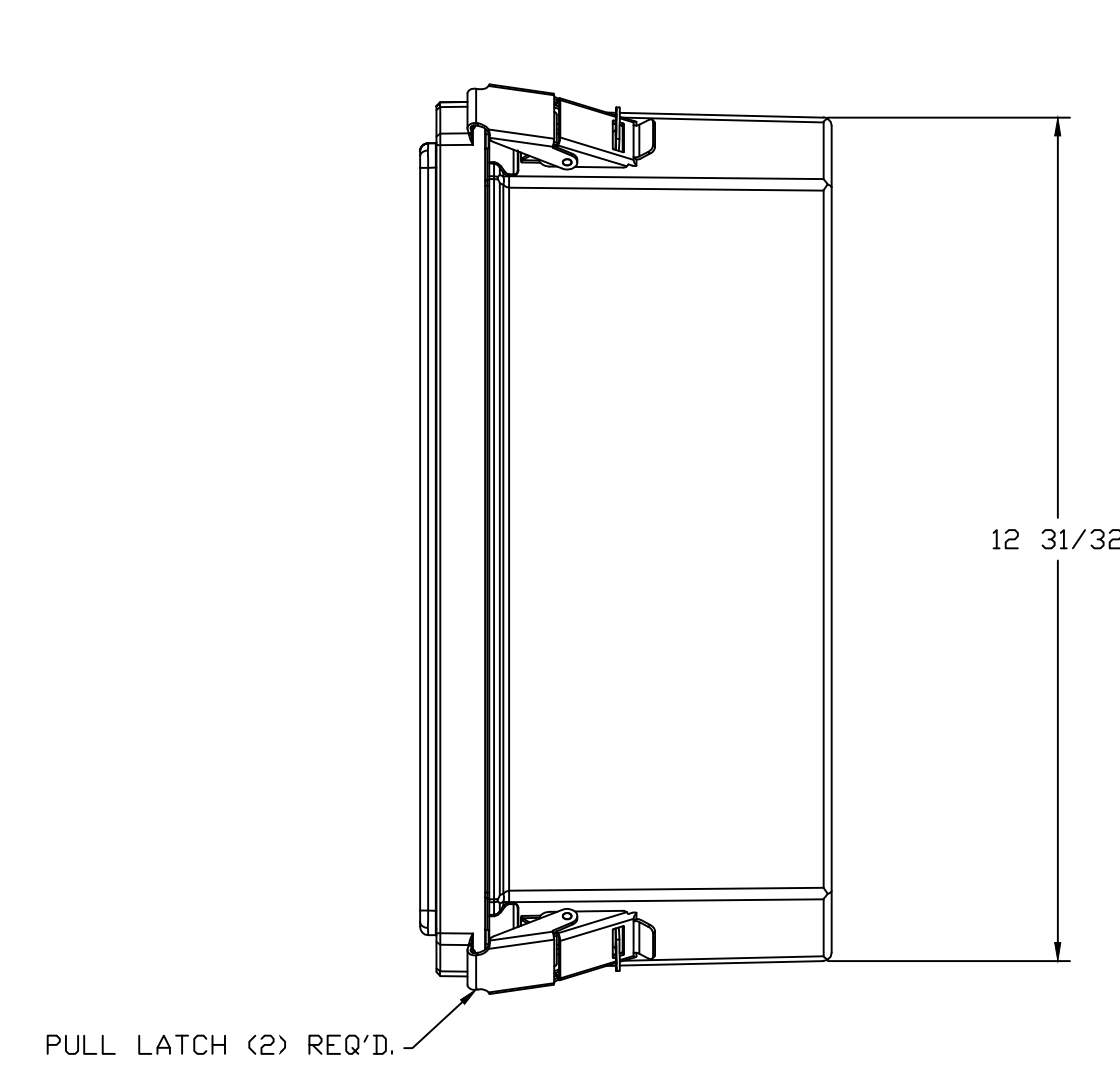
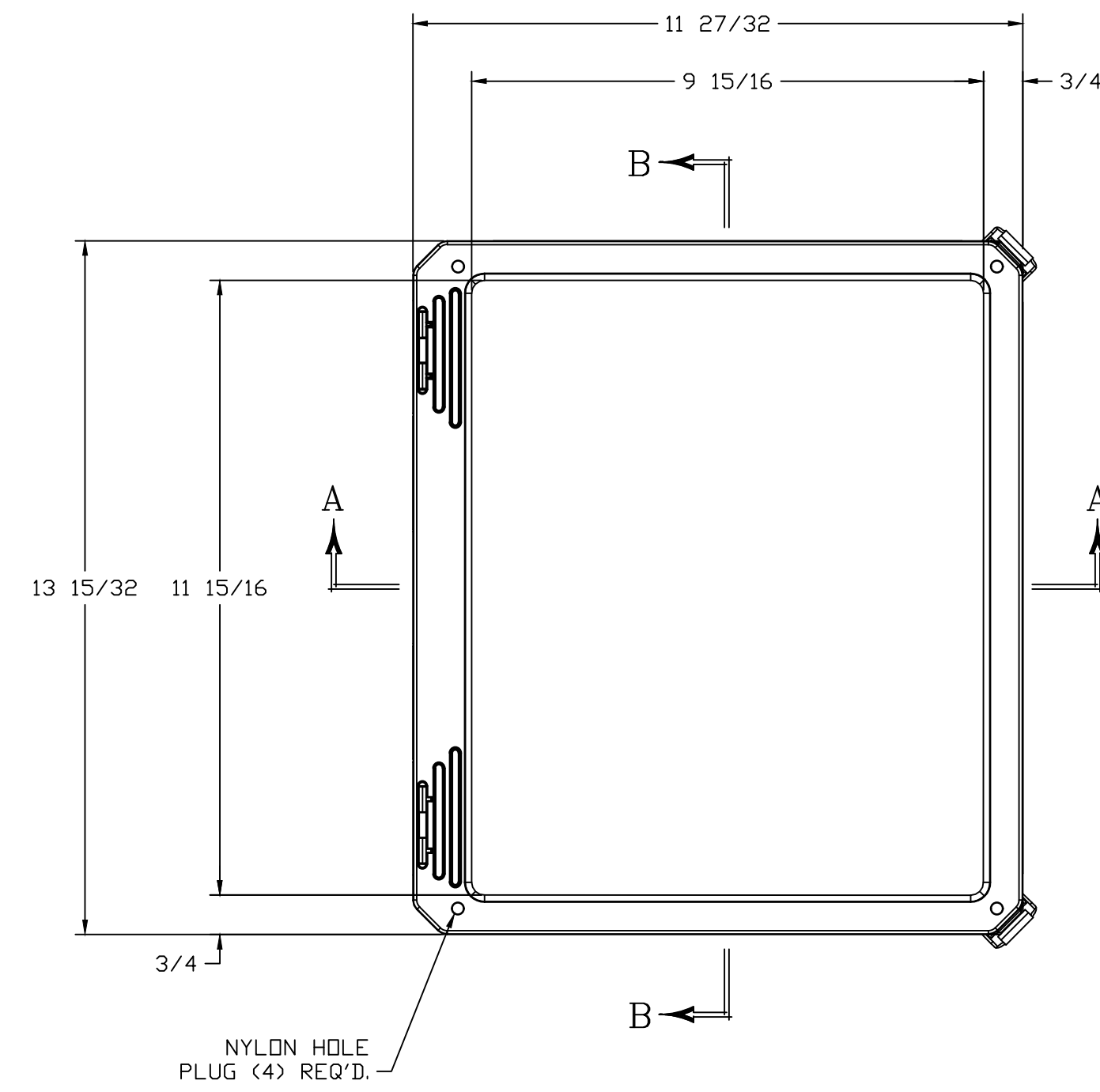
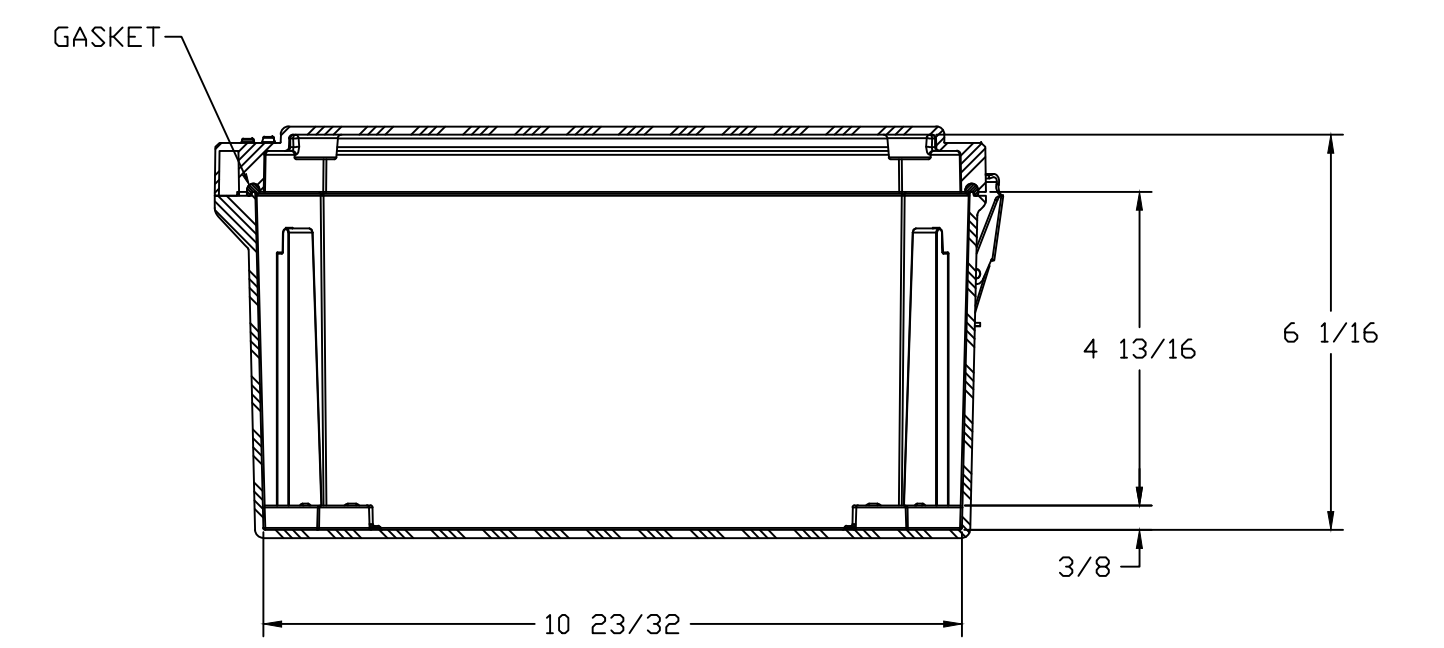
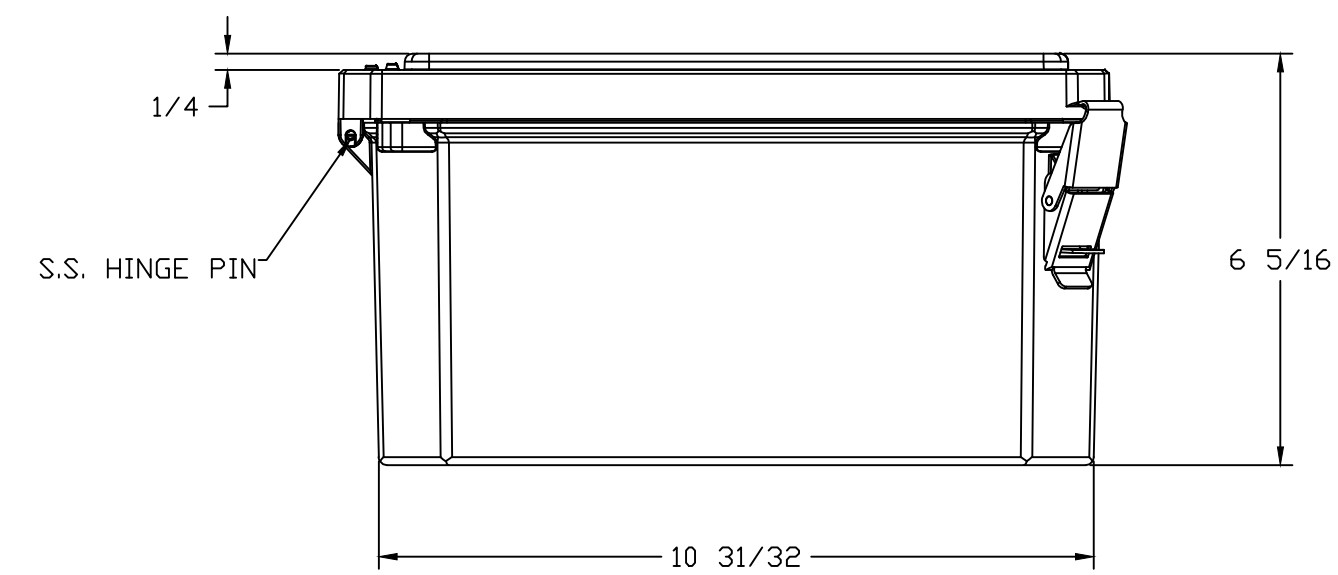


WITH COVER REMOVED



SECTION B-B



SECTION A-A

NOTES:

MATERIAL		F.R. POLYESTER FIBERGLASS		NEMA 1, 3, 3S, 4X, 12, 13 IP66		COLOR: GLACIER GRAY RR1013		TOLERANCES UNLESS SPECIFIED		DECIMAL ± .010		FRACTIONAL ± 1/32	
DR. BY	DATE	CHK. BY	DATE	APD. BY	DATE	CUSTOMER			AutoCAD DWG. FILE				
ZJB	4/2/03					STAHLIN ENCLOSURES			DS121006HPL				
REVISION RECORD		DATE	BY	CHD.	SCALE			PART NAME		ENCLOSURE		PART NO.	
LET.					DO NOT SCALE		ENCLOSURE				DS121006HPL		

BELDING, MICHIGAN 48809